



BOARD LEVEL COOLING – Snap On 5780

Snap On 5780 is a series of snap on board level heat sinks designed to cool TO-5 devices. Representative image only.

ORDERING INFORMATION

Part Number	Device Type
578105B00000G	TO-5
578205B00000G	TO-5
578305B00000G	TO-5
578405B00000G	TO-5



HEAT SINK DETAILS

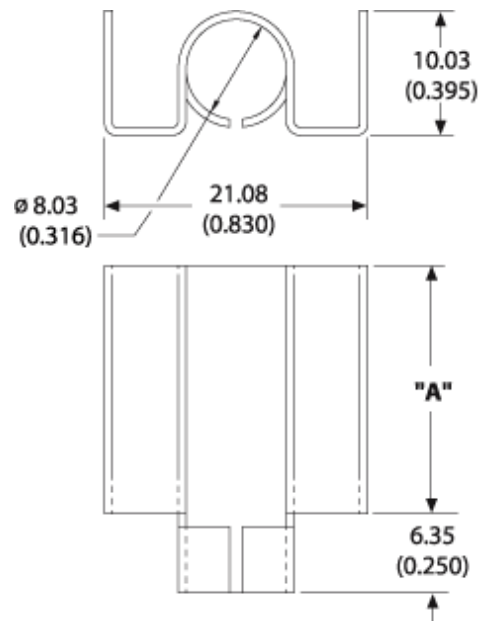
Property	Details
Material	Aluminum
Finish	Black Anodize
Device Attachment Options	Snap On
Thermal Interface Material	-

Property	Details
Heat Sink Width (mm)	21.08
Heat Sink Length (mm)	10.03
Heat Sink Height (mm)	See Table Below
Heat Sink Mounting Direction	Vertical

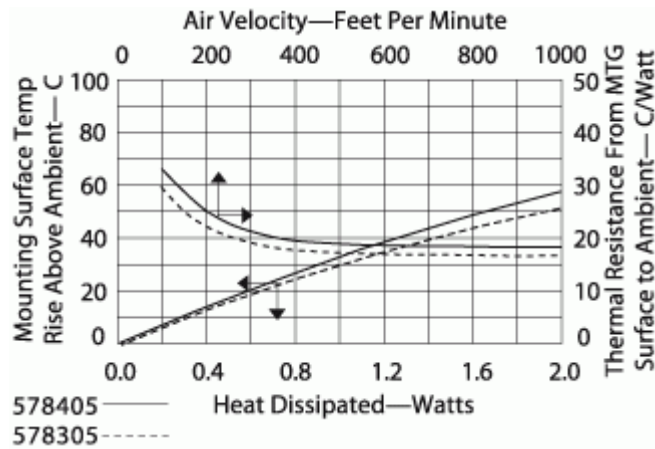
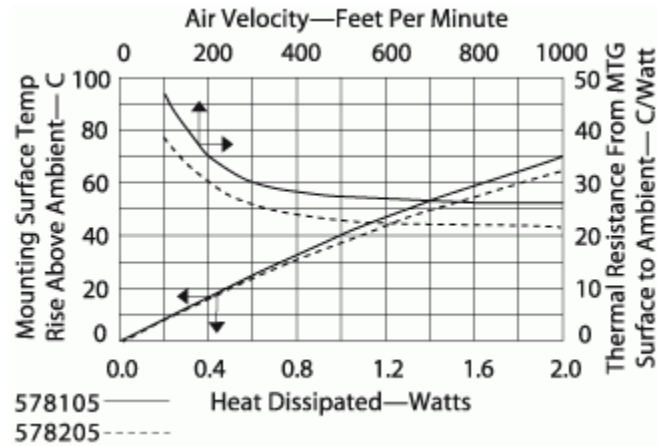
MECHANICAL & PERFORMANCE

Drawing dimensions are shown in mm, (in)

Part Number	"A" Dim	Heat Sink Height
578105B00000G	3.96	10.31
578205B00000G	6.35	12.7
578305B00000G	12.70	19.05
578405B00000G	19.50	25.85



Board Level Cooling – Snap On 5780



Mouser Electronics

Authorized Distributor

Click to View Pricing, Inventory, Delivery & Lifecycle Information:

[Aavid Thermalloy:](#)

[578305B00000G](#) [578105B00000G](#) [578205B00000G](#) [578405B00000G](#)