

PLEASE CHECK WWW.MOLEX.COM FOR LATEST PART INFORMATION

Part Number: [0638535000](#)
Status: **Active**
Overview: [Application Tooling](#)
Description: T2 Terminator Die

Documents:

[RoHS Certificate of Compliance \(PDF\)](#)

General

Product Family	Application Tooling
Series	207122
Function	Crimp
Geographic Area	Global
Level of Automation	Semi-Automatic
More Detailed Tech Information	applicationtooling@molex.com
Overview	Application Tooling
Product Name	T2
Tool Type	Terminator Die
UPC	800753133785
Warranty Disclaimer	CAUTION: Molex tooling crimp specifications are valid only when used with Molex terminals and tooling manufactured by Molex and sold by Molex or authorized distributors ("Molex Tooling"). When using tooling other than Molex Tooling with Molex specific connector systems listed in our ATS documents, the Molex tooling qualification does not apply and the responsibility for full qualification of the connector system is that of the customer. Molex accepts no liability for connector performance or tooling support where tooling other than Molex Tooling is used or where Molex Tooling is modified.

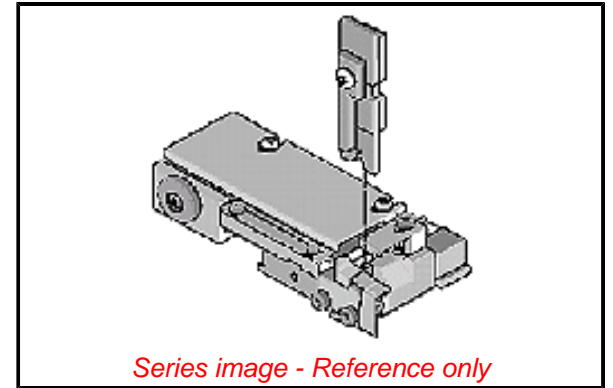
Physical

Net Weight 823.956/g

Material Info

Reference - Drawing Numbers

Application Tooling Documents
638535000, TM-638000029-001,
TM-638000029CN-001, TM-638000029DE-001,
TM-638000029FR-001, TM-638000029IT-001,
TM-638000029JP-001, TM-638000029KR-001,
TM-638000029MY-001, TM-638000029PL-001,
TM-638000029RU-001, TM-638000029SK-001,
TM-638000029SP-001, TM-638000029TH-001,
TM-638000029TW-001, TM-638000029VN-001,
TM-638500090, TM-638500090SP



EU ELV

Not Relevant

EU RoHS

Not Reviewed

REACH SVHC

Not Reviewed

Halogen-Free

Status

Not Relevant

For more information, please visit [Contact US](#)

China ROHS

Not Relevant

ELV

Not Relevant

RoHS Phthalates

Not Reviewed

Search Parts in this Series

[207122 Series](#)

Use With

Molex TM-42 Press [690025001](#) and Base Unit [11193001](#) for the 3BF Press

Application Tooling

Description

FAQ

Product #

1.57mm Diameter, Standard .062" Pin and Socket Crimp Terminal, Female, with Tin (Sn) Plated Brass Contact, 18-24 AWG, Reel

[2061101](#)

1.57mm Diameter, Standard .062" Pin and Socket Crimp Terminal, Female, with Tin (Sn) Plated Brass Contact, 18-24 AWG, Bag

[2061103](#)

1.57mm Diameter, Standard .062" Pin and Socket Crimp Terminal, Series

[2061104](#)

4529, Female, with
Tin (Sn) Plated
Phosphor Bronze
Contact, 18-24 AWG,
Reel

1.57mm Diameter, 2061118
Standard .062" Pin
and Socket Crimp
Terminal, Series

1561, Female, with
Tin (Sn) Plated Brass
Contact, Without
Locking Tabs,
18-24 AWG, Reel
Packaged

1.57mm Diameter, 2061131
Standard .062" Pin
and Socket Crimp
Terminal, Series

1855, Female, with
Tin (Sn) Plated Brass
Contact, 24-30 AWG,
Reel

1.57mm Diameter, 2061132
Standard .062" Pin
and Socket Crimp
Terminal, Series

1855, Female, with
Tin (Sn) Plated Brass
Contact, 24-30 AWG,
Bag

1.57mm Diameter, 2061141
Standard .062" Pin
and Socket Crimp
Terminal, Series

1855, Female, with
Tin (Sn) Plated
Brass Contact,
24-30 AWG, Without
Locking Tabs, Reel
Packaged

1.57mm Diameter, 2061143
Standard .062" Pin
and Socket Crimp
Terminal, Series

1855, Female, with
Tin (Sn) Plated Brass
Contact, 24-30 AWG,
Reel Packaged with
Interleaf Paper

1.57mm Diameter, 2062101
Standard .062" Pin
and Socket Crimp
Terminal, Series

1560, Male, with Tin
(Sn) Plated Brass
Contact, 18-24 AWG,
Reel

1.57mm Diameter, 2062103
Standard .062" Pin
and Socket Crimp
Terminal, Series

1560, Male, with Tin
(Sn) Plated Brass

Contact, 18-24 AWG,
Bag
1.57mm Diameter, 2062131
Standard .062" Pin
and Socket Crimp
Terminal, Series
1854, Male, with Tin
(Sn) Plated Brass
Contact, 24-30 AWG,
Reel
1.57mm Diameter, 2062132
Standard .062" Pin
and Socket Crimp
Terminal, Series
1854, Male, with Tin
(Sn) Plated Brass
Contact, 24-30 AWG,
Bag
1.57mm Diameter, 2065100
Standard .062" Pin
and Socket Crimp
Terminal, Female,
with 0.38 μ m Gold
(Au) Plated Brass
Contact, 18-24 AWG,
Reel
1.57mm Diameter, 2065101
Standard .062" Pin
and Socket Crimp
Terminal, Female,
with 0.76 μ m Gold
(Au) Plated Brass
Contact, 18-24 AWG,
Reel
1.57mm Diameter, 2065102
Standard .062" Pin
and Socket Crimp
Terminal, Female,
with 0.76 μ m Gold
(Au) Plated Brass
Contact, 18-24 AWG,
Bag
1.57mm Diameter, 2065103
Standard .062" Pin
and Socket Crimp
Terminal, Female,
with 0.38 μ m Gold
(Au) Plated Brass
Contact, 18-24 AWG,
Bag
1.57mm Diameter, 2065104
Standard .062" Pin
and Socket Crimp
Terminal, Series
1561, Female,
with 1.27 μ m Gold
Max. Insulation
Diameter, Loose in
Bag Packaged
1.57mm Diameter, 2065105
Standard .062" Pin
and Socket Crimp
Terminal, Series
1561, Female, with
1.27 μ m Gold Max.

Insulation Diameter,
Reel

1.57mm Diameter, 2065108
Standard .062" Pin
and Socket Crimp
Terminal, Female,
with Selective Gold
(Au) Plated Brass
Contact, 18-24 AWG,
Reel

1.57mm Diameter, 2065109
Standard .062" Pin
and Socket Crimp
Terminal, Female,
with Selective Gold
(Au) Plated Brass
Contact, 18-24 AWG,
Bag

1.57mm Diameter, 2065130
Standard .062" Pin
and Socket Crimp
Terminal, Series
1855, Female,
with 0.38 μ m Gold
(Au) Plated Brass
Contact, 24-30 AWG,
Reel

1.57mm Diameter, 2065135
Standard .062" Pin
and Socket Crimp
Terminal, Series
1855, Female,
with 0.38 μ m Gold
(Au) Plated Brass
Contact, 24-30 AWG,
Bag

1.57mm Diameter, 2065138
Standard .062" Pin
and Socket Crimp
Terminal, Series
1855, Female,
with 0.76 μ m Gold
(Au) Plated Brass
Contact, 24-30 AWG,
Reel

1.57mm Diameter, 2065139
Standard .062" Pin
and Socket Crimp
Terminal, Series
1855, Female,
with 0.76 μ m Gold
(Au) Plated Brass
Contact, 24-30 AWG,
Bag

1.57mm Diameter, 2065147
Standard .062" Pin
and Socket Crimp
Terminal, Series
1855, Female, with
Selective Gold
(Au) Plated Brass
Contact, 24-30 AWG,
Reel

1.57mm Diameter, 2065148
Standard .062" Pin

and Socket Crimp
Terminal, Series
1855, Female, with
Selective Gold
(Au) Plated Brass
Contact, 24-30 AWG,
Bag
1.57mm Diameter, 2066100
Standard .062" Pin
and Socket Crimp
Terminal, Series
1560, Male, with
Gold (Au) Plated
Brass Contact, 18-24
AWG, Reel
1.57mm Diameter, 2066101
Standard .062"
Pin and Socket
Crimp Terminal,
Series 1560, Male,
with .76µm Selective
Gold (Au) Plated
Brass Contact,
18-24 AWG, Reel
Packaged
1.57mm Diameter, 2066102
Standard .062"
Pin and Socket
Crimp Terminal,
Series 1560, Male,
with .76µm Selective
Gold (Au) Plated
Brass Contact, 18-24
AWG, Bag Packaged
1.57mm Diameter, 2066103
Standard .062" Pin
and Socket Crimp
Terminal, Series
1560, Male, with
Gold (Au) Plated
Brass Contact, 18-24
AWG, Bag
1.57mm Diameter, 2066104
Standard .062"
Pin and Socket
Crimp Terminal,
Series 1560, Male,
with Selective
1.27µm Select Gold
(Au) Plated Brass
Contact, 18-24 AWG,
Bag Packaged
062 Male Term 2066105
Chain Brs 50Au
18-24
1.57mm Diameter, 2066118
Standard .062" Pin
and Socket Crimp
Terminal, Series
1560, Male, with
Selective Gold
(Au) Plated Brass
Contact, Tin/Lead
Plated Crimp Area,
18-24 AWG, Reel

1.57mm Diameter, [2066119](#)
Standard .062" Pin
and Socket Crimp
Terminal, Series
1560, Male, with
Selective Gold
(Au) Plated Brass
Contact, Tin/Lead
Plated Crimp Area,
18-24 AWG, Bag

1.57mm Diameter, [2066122](#)
Standard .062"
Pin and Socket
PC Tail Terminal,
Series 1778, Male,
with Selective Gold
(Au) Plated Brass
Contact, Bag

.062 Male Term PC [2066125](#)
Tail 30 au

1.57mm Diameter, [2066130](#)
Standard .062" Pin
and Socket Crimp
Terminal, Series
1854, Male, with
Gold (Au) Plated
Brass Contact, 24-30
AWG, Reel

1.57mm Diameter, [2066135](#)
Standard .062" Pin
and Socket Crimp
Terminal, Series
1854, Male, with
Gold (Au) Plated
Brass Contact, 24-30
AWG, Bag

1.57mm Diameter, [2066138](#)
Standard .062" Pin
and Socket Crimp
Terminal, Series
1854, Male, with
Selective Gold
(Au) Plated Brass
Contact, 24-30 AWG,
Reel

1.57mm Diameter, [2066139](#)
Standard .062" Pin
and Socket Crimp
Terminal, Series
1854, Male, with
Selective Gold
(Au) Plated Brass
Contact, 24-30 AWG,
Bag

1.57mm Diameter, [2066143](#)
Standard .062" Pin
and Socket Crimp
Terminal, Series
1854, Male, with
Selective Gold
(Au) Plated Brass
Contact, Tin (Sn)
Plated Crimp Area,
24-30 AWG, Reel

1.57mm Diameter, 2066144
Standard .062" Pin
and Socket Crimp
Terminal, Series
1854, Male, with
Selective Gold
(Au) Plated Brass
Contact, Tin (Sn)
Plated Crimp Area,
24-30 AWG, Bag

1.57mm Diameter, 2067103
Standard .062" Pin
and Socket PC Tail
Terminal, Series
1779, Female,
with 2.54µm Tin
(Sn) Plated Brass
Contact, Bag
Packaged

1.57mm Diameter, 2067104
Standard .062" Pin
and Socket PC Tail
Terminal, Series
1779, Female,
with .76µm Selective
Gold (Au) Plated
Brass Contact, Bag
Packaged

1.57mm Diameter, 2068103
Standard .062" Pin
and Socket PC Tail
Terminal, Series
1778, Male, with Tin
(Sn) Plated Brass
Contact, Bag

062 Male Term Tin 2068104
PCTail Chn

Vertical Solder 2072101
Relief (VSR) Direct-
Solder Crimp
Terminal, Series
4706, Male, Tin
Terminal Progression

MLX Female Crimp 2081001
Terminal 42024,
14-20 AWG, Reel,
Brass, Tin (Sn)
Plating

MLX Crimp Terminal 2081002
42024, 14-20 AWG,
Bag Tin (Sn)

MLX Female Crimp 2081003
Terminal 42024,
14-20 AWG, Reel,
Phosphor Bronze,
Tin (Sn) Plating

MLX Crimp Terminal 2081004
42024, 14-20 AWG,
Bag Tin (Sn)

Claspcn Crimp 2081101
Terminal Socket, Tin
(Sn) Plated Brass
Contact, 16-24 AWG,
Reel

Claspcn Crimp 2081102
Terminal Socket, Tin
(Sn) Plated Brass
Contact, 16-24 AWG,
Bag

Claspcn Crimp 2081103
Terminal Socket, Tin
(Sn) Plated Brass
Contact, 24-30 AWG,
Reel

Claspcn Crimp 2081104
Terminal Socket, Tin
(Sn) Plated Brass
Contact, 24-30 AWG,
Bag

Disk Drive Power 2081201
Connection System,
Female Crimp
Terminal, Reel,
Phosphor Bronze,
AWG 14-20

.084" UNPLATED 2081211
TERMINAL 8980V01

.084" PC TAIL TERM2081212
- 999 8980R11

.084" PC TAIL TERM2081214
- 999 8980R13

2.096MM DIA 2081266
TERMINAL

2.096MM DIA 2081268
TERMINAL

2.13mm DIA PC 2081309
TAIL TERM PhBr

2.54SnLF

2.096MM DIA 2081363
TERMINAL PhBr

2.54SnLF

2.096MM DIA 2081365
TERMINAL PhBr

2.54SnLF

MLX Male Crimp 2082003
Terminal 42023,
14-20 AWG, Reel,
Brass, Tin (Sn)
Plating

MLX Crimp Terminal 2082004
42023, 14-20 AWG,
Bag Tin (Sn)

MLX Male Crimp 2082005
Terminal 42023,
14-20 AWG, Reel,
Phosphor Bronze,
Tin (Sn) Plating

MLX Crimp Terminal 2082006
42023, 14-20 AWG,
Bag Tin (Sn)

MLX Crimp Terminal 2082008
42023, 14-20 AWG,
Bag Selective Gold
(Au)

42023-2A0, Ter Male 2082011
2.13 Chn Unplate

Claspcn Crimp 2085101
Terminal Socket, Tin
(Sn) Plated Brass

Contact, 16-24 AWG,
Reel
2.36mm Diameter, [2091102](#)
Standard .093" Pin
and Socket Crimp
Terminal, Series
1189, Female, with
Tin (Sn) Plated Brass
Contact, 14-20 AWG,
Reel
2.36mm Diameter, [2091104](#)
Standard .093" Pin
and Socket Crimp
Terminal, Series
1189, Female, with
Tin (Sn) Plated Brass
Contact, 14-20 AWG,
Bag
093FemaleTerm [2091115](#)
Chain/IntLeaf Brs
Tin18-22
2.36mm Diameter, [2091117](#)
Standard .093" Pin
and Socket Crimp
Terminal, Series
1381, Female, with
Tin (Sn) Plated Brass
Contact, 18-22 AWG,
Reel
2.36mm Diameter [2091118](#)
Standard .093"
Crimp Terminal,
Dimpled Female,
18-22 AWG, Bag
2.36mm Diameter, [2091119](#)
Standard .093" Pin
and Socket Crimp
Terminal, Series
1381, Female, with
Tin (Sn) Plated Brass
Contact, 18-22 AWG,
Bag
2.36mm Diameter, [2091122](#)
Standard .093" Pin
and Socket Crimp
Terminal, Series
2273, Female, with
Tin (Sn) Plated
Contact, Low
Engagement Force,
18-22 AWG, Reel
2.36mm Diameter, [2091123](#)
Standard .093" Pin
and Socket Crimp
Terminal, Series
2273, Female, with
Tin (Sn) Plated
Contact, Low
Engagement Force,
18-22 AWG, Bag
2.36mm Diameter, [2091134](#)
Standard .093" Pin
and Socket PC Tail
Terminal, Series
1377, Female, with

Tin (Sn) Plated
Contact, Bag
Crimp Terminal 2091153
41483, 14-18 AWG,
Reel
2.36mm Diameter, 2091155
Standard .093" Pin
and Socket Crimp
Terminal, Series
41483, Female, with
Tin (Sn) Plated Brass
Contact, 14-18 AWG
with Large Insulation
Diameter, Chain
2.36mm Diameter, 2091205
Standard .093" Pin
and Socket Crimp
Terminal, Series
4550, Female, with
Tin (Sn) Plated
Phosphor Bronze
Contact, 14-20 AWG,
Reel
2.36mm Diameter, 2091206
Standard .093" Pin
and Socket Crimp
Terminal, Series
4550, Female, with
Tin (Sn) Plated
Phosphor Bronze
Contact, 14-20 AWG,
Bag
2.36mm Diameter, 2091615
Standard .093"
Pin and Socket
Crimp Terminal,
Series 42477,
Female, with Tin
(Sn) Plated Contact,
High Current/Low
Engagement Force,
14-18 AWG, Reel
2.36mm Diameter 2091651
Socket, Without
Insulation Crimp for
16-20 AWG Wire
2.36mm Diameter, 2092101
Standard .093" Pin
and Socket Crimp
Terminal, Series
1190, Male, with Tin
(Sn) Plated Brass
Contact, 14-20 AWG,
Reel
2.36mm Diameter, 2092103
Standard .093" Pin
and Socket Crimp
Terminal, Series
1190, Male, with Tin
(Sn) Plated Brass
Contact, 14-20 AWG,
Bag
Vertical Solder Relief 2092105
(VSR) Direct-Solder
Crimp Terminal,

Series 4706, Male,
Tin (Sn) Plated Brass
Contact, 16-18 AWG,
11.20mm Terminal
Progression
2.36mm Diameter, [2092116](#)
Standard .093" Pin
and Socket Crimp
Terminal, Series
1380, Male, with Tin
(Sn) Plated Brass
Contact, 18-22 AWG,
Reel
2.36mm Diameter, [2092117](#)
Standard .093" Pin
and Socket Crimp
Terminal, Series
1380, Male, with Tin
(Sn) Plated Brass
Contact, without
Dents, 18-22 AWG,
Reel
2.36mm Diameter, [2092118](#)
Standard .093" Pin
and Socket Crimp
Terminal, Series
1380, Male, with Tin
(Sn) Plated Brass
Contact, 18-22 AWG,
Bag
093 MaleTermChain/[2092127](#)
IntLeaf Brs Tin18-22
2.36mm Diameter, [2092133](#)
Standard .093" Pin
and Socket PC Tail
Terminal, Series
1376, Male, with Tin/
Lead (Sn/Pb) Plated
Contact, With Detent,
Bag Packaged
2.36mm Diameter, [2092134](#)
Standard .093" Pin
and Socket PC Tail
Terminal, Series
1376, Male, with Tin
(Sn) Plated Contact,
Without Detent, Bag
Packaged
2.36mm Diameter, [2092166](#)
Standard .093" Pin
and Socket Crimp
Terminal, Series
4549, Male, with
Tin (Sn) Plated
Phosphor Bronze
Contact, 14-20 AWG,
Reel Packaged
2.36mm Diameter, [2092167](#)
Standard .093" Pin
and Socket Crimp
Terminal, Series
4549, Male, with
Tin (Sn) Plated
Phosphor Bronze

Contact, 14-20 AWG,
Bag Packaged
2.36mm Diameter, 2092170
Standard .093" Pin
and Socket Crimp
Terminal, Series
1190, Male, with Tin
(Sn) Plated Brass
Contact, 14-18 AWG,
Large Insulation
Crimp, Reel
2.36mm Diameter, 2092171
Standard .093" Pin
and Socket Crimp
Terminal, Series
1190, Male, with Tin
(Sn) Plated Brass
Contact, 14-18 AWG,
Large Insulation
Crimp, Bag
2.36mm Diameter, 2092611
Standard .093" Pin
and Socket Crimp
Terminal, Series
42478, Male, with Tin
(Sn) Plated Contact,
High Current/Low
Engagement Force,
14-18 AWG, Reel
2.36mm Diameter, 2095100
Standard .093" Pin
and Socket Crimp
Terminal, Series
1189, Female, with
Gold (Au) Plated
Brass Contact, 14-20
AWG, Reel
2.36mm Diameter, 2095101
Standard .093" Pin
and Socket Crimp
Terminal, Series
1190, Male, with Tin
(Sn) Plated Brass
Contact, 14-20 AWG,
Chain
2.36mm Diameter, 2095102
Standard .093" Pin
and Socket Crimp
Terminal, Series
1189, Female, with
Selective Gold
(Au) Plated Brass
Contact, 14-20 AWG,
Reel
2.36mm Diameter, 2095106
Standard .093" Pin
and Socket Crimp
Terminal, Series
1189, Female, with
Gold (Au) Plated
Brass Contact, 14-20
AWG, Bag
2.36mm Diameter, 2095111
Standard .093" Pin
and Socket Crimp

Terminal, Series
1189, Female, with
Selective Gold
(Au) Plated Brass
Contact, 14-20 AWG,
Bag
2.36mm Diameter, 2095130
Standard .093" Pin
and Socket Crimp
Terminal, Series
1381, Female, with
Selective Gold
(Au) Plated Brass
Contact, 18-22 AWG,
Reel
2.36mm Diameter, 2095132
Standard .093" Pin
and Socket PC Tail
Terminal, Series
1377, Female, with
Gold (Au) Plated
Contact, Bag
2.36mm Diameter, 2095133
Standard .093" Pin
and Socket Crimp
Terminal, Series
1381, Female, with
Selective Gold
(Au) Plated Brass
Contact, 18-22 AWG,
Bag
2.36mm Diameter, 2095142
Standard .093" Pin
and Socket Crimp
Terminal, Series
1381, Female, with
Gold (Au) Plated
Brass Contact, 18-22
AWG, Bag
2.36mm Diameter, 2095143
Standard .093" Pin
and Socket Crimp
Terminal, Series
1381, Female, with
Gold (Au) Plated
Brass Contact, 18-22
AWG, Reel
2.36mm Diameter, 2095169
Standard .093" Pin
and Socket Crimp
Terminal, Series
4550, Female, with
Gold (Au) Plated
Phosphor Bronze
Contact, 14-20 AWG,
Reel
2.36mm Diameter, 2095170
Standard .093" Pin
and Socket Crimp
Terminal, Series
4550, Female, with
Gold (Au) Plated
Phosphor Bronze
Contact, 14-20 AWG,
Bag

2.36mm Diameter, [2096100](#)
Standard .093" Pin
and Socket Crimp
Terminal, Series
1190, Male, with
Gold (Au) Plated
Brass Contact, 14-20
AWG, Reel

2.36mm Diameter, [2096101](#)
Standard .093" Pin
and Socket Crimp
Terminal, Series
1190, Male, with
Selective Gold
(Au) Plated Brass
Contact, 14-20 AWG,
Reel

2.36mm Diameter, [2096102](#)
Standard .093" Pin
and Socket Crimp
Terminal, Series
1189, Female, with
Tin (Sn) Plated Brass
Contact, 14-20 AWG,
Reel

2.36mm Diameter, [2096106](#)
Standard .093" Pin
and Socket Crimp
Terminal, Series
1190, Male, with
Gold (Au) Plated
Brass Contact, 14-20
AWG, Bag

2.36mm Diameter, [2096110](#)
Standard .093" Pin
and Socket Crimp
Terminal, Series
1190, Male, with
Selective Gold
(Au) Plated Brass
Contact, 14-20 AWG,
Bag

2.36mm Diameter, [2096122](#)
Standard .093" Pin
and Socket Crimp
Terminal, Series
1380, Male, with
Gold (Au) Plated
Brass Contact, 18-22
AWG, Reel

2.36mm Diameter, [2096123](#)
Standard .093" Pin
and Socket Crimp
Terminal, Series
1380, Male, with
Gold (Au) Plated
Brass Contact, 18-22
AWG, Bag

2.36mm Diameter, [2096125](#)
Standard .093" Pin
and Socket Crimp
Terminal, Series
1380, Male, with
Selective Gold
(Au) Plated Brass

Contact, 18-22 AWG,
Reel
2.36mm Diameter, 2096126
Standard .093" Pin
and Socket Crimp
Terminal, Series
1380, Male, with
Selective Gold
(Au) Plated Brass
Contact, 18-22 AWG,
Bag
2.36mm Diameter, 2096132
Standard .093"
Pin and Socket
PC Tail Terminal,
Series 1376, Male,
with Gold (Au)
Plated Contact,
Without Detent, Bag
Packaged
2.36mm Diameter, 2098103
Standard .093" Pin
and Socket Crimp
Grounding Terminal,
Series 1973, Male,
with Tin (Sn) Plated
Brass Contact, 18-22
AWG, Reel
2.36mm Diameter, 2098104
Standard .093" Pin
and Socket Crimp
Grounding Terminal,
Series 1973, Male,
with Tin (Sn) Plated
Brass Contact, 18-22
AWG, Bag
2.36mm Diameter, 2098108
Standard .093" Pin
and Socket Crimp
Grounding Terminal,
Series 1973, Male,
with Tin (Sn) Plated
Brass Contact, 14-18
AWG, Reel
2.36mm Diameter, 2098109
Standard .093" Pin
and Socket Crimp
Grounding Terminal,
Series 1973, Male,
with Tin (Sn) Plated
Brass Contact, 14-18
AWG, Bag
Mini-Fit Jr. 3044052
Receptacle Housing,
Single Row, 5
Circuits, UL 94V-2,
Natural
1.57mm Diameter 3061011
Standard .062"
Pin and Socket
Receptacle Housing,
1 Circuits, Natural
1.57mm Diameter 3061022
Standard .062"
Pin and Socket

Receptacle Housing,
2 Circuits, with Pre-
bent Mounting Ears,
Natural
1.57mm Diameter 3061023
Standard .062"
Pin and Socket
Receptacle Housing,
2 Circuits, without
Mounting Ears,
Natural
1.57mm Diameter 3061031
Standard .062"
Pin and Socket
Receptacle Housing,
3 Circuits, with
Standard Mounting
Ears
1.57mm Diameter 3061032
Standard .062"
Pin and Socket
Receptacle Housing,
3 Circuits, without
Mounting Ears,
Natural
1.57mm Diameter 3061038
Standard .062"
Pin and Socket
Receptacle Housing,
3 Circuits, with Pre-
bent Mounting Ears,
Natural
1.57mm Diameter 3061041
Standard .062"
Pin and Socket
Receptacle Housing,
4 Circuits, with
Standard Mounting
Ears
1.57mm Diameter 3061042
Standard .062"
Pin and Socket
Receptacle Housing,
4 Circuits, without
Mounting Ears,
Natural
1.57mm Diameter 3061044
Standard .062"
Pin and Socket
Receptacle Housing,
Dual Row, without
Mounting Ears, PA
Polyamide Nylon 6/6,
UL 94V-2, 4 Circuits,
Natural
1.57mm Diameter 3061062
Standard .062"
Pin and Socket
Receptacle Housing,
6 Circuits, without
Mounting Ears,
Natural
1.57mm Diameter 3061092
Standard .062"
Pin and Socket

Receptacle Housing, 9 Circuits, without Mounting Ears, Natural 1.57mm Diameter Standard .062" Pin and Socket	<u>3061121</u>
Receptacle Housing, 12 Circuits, with Standard Mounting Ears, Natural 1.57mm Diameter Standard .062" Pin and Socket	<u>3061122</u>
Receptacle Housing, 12 Circuits, without Mounting Ears, Natural 1.57mm Diameter Standard .062" Pin and Socket Plug	<u>3062011</u>
Housing, 1 Circuits, Natural 1.57mm Diameter Standard .062" Pin and Socket Plug	<u>3062023</u>
Housing, 2 Circuits, without Mounting Ears, Natural 1.57mm Diameter Standard .062" Pin and Socket Plug Housing, 2	<u>3062024</u>
Circuits, with Pre- bent Mounting Ears, Natural 1.57mm Diameter Standard .062" Pin and Socket Plug	<u>3062031</u>
Housing, 3 Circuits, with Standard Mounting Ears, Natural 1.57mm Diameter Standard .062" Pin and Socket Plug	<u>3062032</u>
Housing, 3 Circuits, without Mounting Ears, Natural 1.57mm Diameter Standard .062" Pin and Socket Plug Housing, 3	<u>3062033</u>
Circuits, with Pre- bent Mounting Ears, Natural 1.57mm Diameter Standard .062" Pin and Socket Plug	<u>3062041</u>
Housing, 4 Circuits, with Standard Mounting Ears 1.57mm Diameter Standard .062" Pin and Socket Plug	<u>3062042</u>

Housing, 4 Circuits,
without Mounting
Ears, Natural
1.57mm Diameter 3062044
Standard .062" Pin
and Socket Plug
Housing, Dual Row,
without Mounting
Ears, PA Polyamide
Nylon 6/6, UL 94V-2,
4 Circuits, Natural
1.57mm Diameter 3062061
Standard .062" Pin
and Socket Plug
Housing, 6 Circuits,
without Mounting
Ears, Natural
1.57mm Diameter 3062092
Standard .062" Pin
and Socket Plug
Housing, 9 Circuits,
without Mounting
Ears, Natural
1.57mm Diameter 3062121
Standard .062"
Pin and Socket
Plug Housing, 12
Circuits, with Pre-
bent Mounting Ears,
Natural
1.57mm Diameter 3062122
Standard .062" Pin
and Socket Plug
Housing, 12 Circuits,
without Mounting
Ears, Natural
1.57mm Diameter 3066023
Standard .062"
Pin and Socket
Receptacle Housing,
2 Circuits, without
Mounting Ears, Black
1.57mm Diameter 3066062
Standard .062"
Pin and Socket
Receptacle Housing,
6 Circuits, without
Mounting Ears, Black
1.57mm Diameter 3067023
Standard .062" Pin
and Socket Plug
Housing, Black, 2
Circuits, without
Mounting Ears, Black
1.57mm Diameter 3067044
Standard .062" Pin
and Socket Plug
Housing, Dual Row,
without Mounting
Ears, PA Polyamide
Nylon 6/6, UL 94V-2,
4 Circuits, Black
1.57mm Diameter 3067061
Standard .062" Pin
and Socket Plug

Housing, 6 Circuits,
without Mounting
Ears, Black
2.36mm Diameter 3091011
Standard .093"
Pin and Socket
Receptacle Housing,
1 Circuit, Friction
Lock, Natural
2.36mm Diameter 3091022
Standard .093"
Pin and Socket
Receptacle Housing,
2 Circuits, without
Mounting Ears, with
Ramps, Natural
2.36mm Diameter 3091027
Standard .093"
Pin and Socket
Receptacle Housing,
2 Circuits, with Pre-
bent Mounting Ears,
with Ramps, Natural
2.36mm Diameter 3091030
Standard Receptacle
Housing, 3 Circuit,
Natural
2.36mm Diameter 3091031
Standard .093"
Pin and Socket
Receptacle Housing,
3 Circuits, Single
Row, Natural
2.36mm Diameter 3091032
Standard .093"
Pin and Socket
Receptacle Housing,
3 Circuits, Single
Row, Natural
2.36mm Diameter 3091033
Standard .093"
Pin and Socket
Receptacle Housing,
3 Circuits, Single
Row, Free-Hanging,
without Passive Lock
Ramps, Natural
2.36mm Diameter 3091041
Standard .093"
Pin and Socket
Receptacle Housing,
4 Circuits, Single
Row, Natural
2.36mm Diameter 3091042
Standard .093"
Pin and Socket
Receptacle Housing,
4 Circuits, Single
Row, Natural
2.36mm Diameter 3091049
Standard .093"
Pin and Socket
Receptacle Housing,
4 Circuits, Dual Row,

without Mounting
Ears, Natural
2.36mm Diameter 3091061
Standard .093"
Pin and Socket
Receptacle Housing,
6 Circuits, Dual Row,
Natural
2.36mm Diameter 3091062
Standard .093"
Pin and Socket
Receptacle Housing,
6 Circuits, Dual Row,
Natural
2.36mm Diameter 3091063
Standard .093"
Pin and Socket
Receptacle Housing,
6 Circuits, Dual Row,
without Panel Mount
Ears, without Friction
Lock Ramp
2.36mm Diameter 3091064
Standard .093"
Pin and Socket
Receptacle Housing,
6 Circuits, Dual Row,
Natural
2.36mm Diameter 3091081
Standard .093"
Pin and Socket
Receptacle Housing,
3 Circuits, Single
Row, Natural
2.36mm Diameter 3091091
Standard .093"
Pin and Socket
Receptacle
Housings, 9 Circuits,
3 Rows, Natural
2.36mm Diameter 3091092
Standard .093"
Pin and Socket
Receptacle
Housings, 9 Circuits,
3 Rows, with Panel
Mount Ears, without
Passive Lock Ramp
2.36mm Diameter 3091093
Standard .093"
Pin and Socket
Receptacle
Housings, 9 Circuits,
3 Rows, without
Panel Mount Ears,
without Passive Lock
Ramp
2.36mm Diameter 3091094
Standard .093"
Pin and Socket
Receptacle
Housings, 9 Circuits,
3 Rows, Natural
2.36mm Diameter 3091121
Standard .093"

Pin and Socket
Receptacle Housing,
12 Circuits, 3 Rows,
Panel Mountable,
without Passive
Locking Ramps
2.36mm Diameter 3091125
Standard .093"

Pin and Socket
Receptacle Housing,
12 Circuits, 3 Rows,
Natural
2.36mm Diameter 3091126
Standard .093"

Pin and Socket
Receptacle Housing,
12 Circuits, 3 Rows,
Natural
2.36mm Diameter 3091151
Standard .093"

Pin and Socket
Receptacle Housing,
15 Circuits, 3 Rows,
with Pre-Bent
Mounting Ears,
without Lock Ramps
2.36mm Diameter 3091152
Standard .093"

Pin and Socket
Receptacle Housing,
15 Circuits, 3 Rows,
without Mounting
Ears, without Lock
Ramps
2.36mm Diameter 3091153
Standard .093"

Pin and Socket
Receptacle Housing,
15 Circuits, 3 Rows,
with Pre-bent
Mounting Ears, with
Lock Ramps
2.36mm Diameter 3091157
Standard .093"

Pin and Socket
Receptacle Housing,
15 Circuits, 3 Rows,
without Mounting
Ears, with Lock
Ramps
2.36mm Diameter 3091161
Standard .093"

Pin and Socket
Receptacle Housing
without Mounting
Ears, Positive Lock,
2 Circuits
2.36mm Diameter 3092011
Standard .093" Pin
and Socket Plug
Housing, 1 Circuit,
Friction Lock, Natural

2.36mm Diameter 3092021
Standard .093" Pin
and Socket Plug

Housing, 2 Circuits, with Standard Mounting Ears, Natural	
2.36mm Diameter Standard .093" Pin and Socket Plug	<u>3092022</u>
Housing, 2 Circuits, without Mounting Ears, Natural	
2.36mm Diameter Standard .093" Pin and Socket Plug	<u>3092031</u>
Housing, 3 Circuits, Single Row, Natural	
2.36mm Diameter Standard .093" Pin and Socket Plug	<u>3092032</u>
Housing, 3 Circuits, Single Row, Natural	
2.36mm Diameter Standard .093" Pin and Socket Plug	<u>3092041</u>
Housing, 4 Circuits, Single Row	
2.36mm Diameter Standard .093" Pin and Socket Plug	<u>3092042</u>
Housing, 4 Circuits, Single Row	
2.36mm Diameter Standard .093" Pin and Socket Plug	<u>3092049</u>
Housing, 4 Circuits, Dual Row, without Mounting Ears, Natural	
2.36mm Diameter Standard .093" Pin and Socket Plug	<u>3092061</u>
Housing, 6 Circuits, Dual Row	
2.36mm Diameter Standard .093" Pin and Socket Plug	<u>3092062</u>
Housing, 6 Circuits, Dual Row	
2.36mm Diameter Standard .093" Pin and Socket Plug	<u>3092092</u>
Housings, 9 Circuits, 3 Rows	
2.36mm Diameter Standard .093" Pin and Socket Plug	<u>3092121</u>
Housing, 12 Circuits, 3 Rows	
2.36mm Diameter Standard .093" Pin and Socket Plug	<u>3092122</u>
Housing, 12 Circuits, 3 Rows	
2.36mm Diameter Standard .093" Pin and Socket Plug	<u>3092151</u>

Housing, 15 Circuits, 3 Rows, without Mounting Ears, with Pull Tabs, without Lock Windows 2.36mm Diameter Standard .093" Pin and Socket Plug	<u>3092159</u>
Housing, 15 Circuits, 3 Rows, with Pre- Bent Mounting Ears, without Pull Tabs, with Lock Windows 2.36mm Diameter Standard .093" Pin and Socket Plug	<u>3092161</u>
Housing without Mounting Ears, Positive Lock, 2 Circuits 2.36mm Diameter Standard .093" Pin and Socket Receptacle Housing, 2 Circuits, with Pre- bent Mounting Ears, with Ramps, Black	<u>3096021</u>
2.36mm Diameter Standard .093" Pin and Socket Plug	<u>3097022</u>
Housing, 2 Circuits, without Mounting Ears, Black 2.36mm Diameter Standard .093" Pin and Socket Plug	<u>3097024</u>
Housing, 2 Circuits, without Mounting Ears, Red 2.36mm Diameter Standard .093" Pin and Socket Plug	<u>3097032</u>
Housing, 3 Circuits, Single Row, Black 3.18mm Diameter, HCS125, Pin and Socket Receptacle	<u>3121022</u>
Housing, 2 Circuits, Single Row, with and without Panel Mount Ears 3.18mm Diameter, HCS125, Pin and Socket Receptacle	<u>3121026</u>
Housing, Single Row, 2 Circuits, Natural (Translucent) 3.18mm Diameter, HCS125, Pin and Socket Receptacle	<u>3121036</u>
Housing, Single Row, without Panel Mount Ears, 3 Circuits, Natural, Nylon 94V-2	

3.18mm Diameter, 3121046
HCS125, Pin and
Socket Receptacle
Housing, Single
Row, 4 Circuits,
Natural (Translucent)

3.18mm Diameter, 3122022
HCS125, Pin
and Socket Plug
Housing, 2 Circuits,
Single Row, with and
without Panel Mount
Ears

3.18mm Diameter, 3122025
HCS125, Pin
and Socket Plug
Housing, Single
Row, with Panel
Mount Ears, 2
Circuits, Natural
(Translucent)

3.18mm Diameter, 3122026
HCS125, Pin
and Socket Plug
Housing, Single
Row, without Panel
Mount Ears, 2
Circuits, Natural
(Translucent)

3.18mm Diameter, 3122035
HCS125, Pin
and Socket Plug
Housing, Single
Row, with Panel
Mount Ears, 3
Circuits, Natural,
Nylon 94V-2

3.18mm Diameter, 3122036
HCS125, Pin
and Socket Plug
Housing, Single
Row, without Panel
Mount Ears, 3
Circuits, Natural,
Nylon 94V-2

3.18mm Diameter, 3122045
HCS125, Pin
and Socket Plug
Housing, Single
Row, with Panel
Mount Ears, 4
Circuits, Natural
(Translucent)

3.18mm Diameter, 3122046
HCS125, Pin
and Socket Plug
Housing, Single
Row, without Panel
Mount Ears, 4
Circuits, Natural
(Translucent)

Flat Blade Crimp 5060117
Terminal, Series
1508, Female, With
Tin (Sn) Plated

Brass Contact, 14-18
AWG (or 18 AWG
Double Crimp), Reel
Packaged
Flat Blade Crimp 5060301
Terminal, Series
2176, Female, With
Tin (Sn) Plated Brass
Contact, With Detent,
14-22 AWG (or 18
AWG Double Crimp),
Reel Packaged
Crimp Terminal 5121004
2482, 10-16 AWG,
Reel
Crimp Terminal 5121005
2482, 10-16 AWG,
Bag
Crimp Terminal 5121006
2482, 10-16 AWG,
Reel
Crimp Terminal 5121008
2482, 10-16 AWG,
Reel
Crimp Terminal 5121104
6482, 14-18 AWG,
Reel
Flat Blade Appliance 6021103
Motor Switch Crimp
Housing, 10 Circuits
Flat Blade Appliance 6022030
Water Valve Crimp
Housing, 3 Circuit,
Natural
Flat Blade Appliance 6023042
Defrost Timer Crimp
Housing, 4 Circuit, 4
Circuits
Flat Blade Appliance 6023103
Motor Switch Crimp
Housing, 10 Circuit,
10 Circuits
Flat Blade Appliance 6023104
Dryer Motor Crimp
Housing, 10 Circuit
KK Crimp Terminal, 8300109
Series 1799, Female,
with Tin (Sn) Plated
Brass Contact, 18-24
AWG, Chain on Reel
KK 396 Crimp 8500008
Terminal 8818, 18-22
AWG, Reel, Brass
Tin (Sn)
KK 156 TERMINAL 8500015
CRIMP 18-24 AWG
TIN
KK 396 Crimp 8500023
Terminal 8818, 18-22
AWG, Bag, Brass Tin
(Sn)
KK 156 TERM 8500024
CRP 18-20 AWG
TRIFURCON TIN

KK 254 Cat Ear Crimp Terminal 4809, 22-30 AWG, Hot Tin Dip, 2.20mm Insulation Crimp, Reel	<u>8500030</u>
KK 254 Cat Ear Crimp Terminal 4809, 22-30 AWG, Hot Tin Dip, Reel	<u>8500031</u>
KK 254 Cat Ear Crimp Terminal 4809, 22-30 AWG, Hot Tin Dip, Bag	<u>8500032</u>
KK 396 Crimp Terminal 2478, 18-24 AWG, Reel, Brass Tin (Sn)	<u>8500105</u>
KK 396 Crimp Terminal 2478, 18-24 AWG, Bag, Brass Tin (Sn)	<u>8500106</u>
KK 396 Crimp Terminal 2578, 22-26 AWG, Reel, Brass, 2.540µm Tin (Sn)	<u>8500107</u>
KK 396 Crimp Terminal 2578, 22-26 AWG, Bag, Brass, 2.540µm Tin (Sn)	<u>8500108</u>
KK Crimp Terminal, Series 2477, Humpback, with Tin (Sn) Plated Brass Contact, 18-24 AWG, Reel	<u>8500109</u>
KK Crimp Terminal, Series 2477, Humpback, with Tin (Sn) Plated Brass Contact, 18-24 AWG, Loose	<u>8500110</u>
KK 396 Crimp Terminal 2578, 22-26 AWG, Reel, Brass, 7.6µm Tin (Sn)	<u>8500111</u>
KK 156 TERMINAL CRIMP 22-26 AWG TIN	<u>8500112</u>
KK 254 Crimp Terminal, 22-30 AWG, Hot Tin (Sn) Dip Plating	<u>8500113</u>
KK 254 Crimp Terminal, 22-30 AWG, Bag, Hot Tin (Sn) Dip Plating	<u>8500114</u>
3.96mm Pitch KK Crimp Terminal 2878, 18-20 AWG, Reel, Brass, Tin (Sn), Bifurcated	<u>8500115</u>
3.96mm Pitch KK Crimp Terminal 2878, 18-20 AWG,	<u>8500116</u>

Bag, Brass, Tin (Sn),
 Bifurcated
 KK 396 Crimp 8500119
 Terminal 2478, 18-24
 AWG, Reel, Brass,
 3.8µm Tin (Sn)
 KK 396 Crimp 8500120
 Terminal 2478, 18-24
 AWG, Bag, Brass,
 3.8µm Tin (Sn)
 KK 396 Crimp 8500133
 Terminal 2578,
 22-26 AWG, Reel,
 Phosphor Bronze,
 2.540µm Tin (Sn)
 KK 396 Crimp 8500134
 Terminal 2578,
 22-26 AWG, Bag,
 Phosphor Bronze,
 2.540µm Tin(Sn)
 KK 254 Crimp 8500135
 Terminal 4809, 22-30
 AWG, Hot Tin Dip,
 Reel
 KK 254 Crimp 8500136
 Terminal 4809, 22-30
 AWG, Tin, Bag
 KK 254 Crimp 8500159
 Terminal, 22-30
 AWG, Reel, Tin (Sn)
 Plating, Nickel (Ni)
 Under Plating
 KK 254 Crimp 8500160
 Terminal, 22-30
 AWG, Bag, Tin (Sn)
 Plating, Nickel (Ni)
 Under Plating
 KK Trifurcon Crimp 8500183
 Terminal 7258, 22-26
 AWG, Reel, Brass
 Tin (Sn)
 KK Trifurcon Crimp 8500185
 Terminal 7258, 22-26
 AWG, Bag, Brass Tin
 (Sn)
 KK Trifurcon Crimp 8500187
 Terminal 6838, 18-20
 AWG, Reel, Brass
 Tin (Sn)
 KK Trifurcon Crimp 8500189
 Terminal 6838, 18-20
 AWG, Bag, Brass Tin
 (Sn)
 KK 156 TERM 8500251
 CRP 18-20 AWG
 TRIFURCON TIN
 KK 396 Crimp 8500281
 Terminal 2478,
 18-24 AWG, Reel,
 Phosphor Bronze,
 3.87µm Tin (Sn)
 KK 156 TERM 8500283
 CRP 22-26 AWG
 TRIFURCON TIN

KK 100 Crp Term	<u>8510101</u>
Std 22-30 Awg Unplt	
KK 254 Crimp	<u>8510108</u>
Terminal, 22-30	
AWG, Reel, Tin (Sn),	
Nickel (Ni) Under	
Plating	
KK 156 TERMINAL	<u>8510109</u>
CRIMP 1820 AWG	
KK 396 Crimp	<u>8520071</u>
Terminal 2478,	
18-24 AWG, Reel,	
Phosphor Bronze,	
Tin (Sn)	
KK 396 Crimp	<u>8520072</u>
Terminal 2478,	
18-24 AWG, Bag,	
Phosphor Bronze,	
Tin (Sn)	
KK 254 Crimp	<u>8520101</u>
Terminal 6459,	
22-30 AWG, Reel,	
Phosphor Bronze Tin	
(Sn)	
KK Trifurcon Crimp	<u>8520112</u>
Terminal 6838,	
18-20 AWG, Reel,	
Phosphor Bronze	
Tin(Sn)	
KK Trifurcon Crimp	<u>8520113</u>
Terminal 6838,	
18-20 AWG, Bag,	
Phosphor Bronze Tin	
(Sn)	
KK .100 CRIMP	<u>8520118</u>
TERMINAL 100MI	
MATTE TIN	
KK 254 Crimp	<u>8520123</u>
Terminal 6459,	
22-30 AWG, Bag,	
Phosphor Bronze Tin	
(Sn)	
KK Trifurcon Crimp	<u>8520124</u>
Terminal 7258,	
22-26 AWG, Reel,	
Phosphor Bronze	
Tin(Sn)	
KK Trifurcon Crimp	<u>8520125</u>
Terminal 7258,	
22-26 AWG, Bag,	
Phosphor Bronze Tin	
(Sn)	
3.96mm Pitch KK	<u>8520126</u>
Crimp Terminal	
2878, 18-20 AWG,	
Reel, Phosphor	
Bronze, Tin (Sn),	
Bifurcated	
3.96mm Pitch KK	<u>8520127</u>
Crimp Terminal	
2878, 18-20 AWG,	
Bag, Phosphor	
Bronze, Tin (Sn),	
Bifurcated	

KK 396 Crimp Terminal 8818, 18-22 AWG, Reel, Phosphor Bronze Tin (Sn)	<u>8520131</u>
KK 396 Crimp Terminal 8818, 18-22 AWG, Bag, Phosphor Bronze Tin (Sn)	<u>8520132</u>
KK 396 Crimp Terminal 2478, 18-24 AWG, Reel, Phosphor Bronze, 5.0µm Tin (Sn)	<u>8520811</u>
KK 396 Crimp Terminal 2478, 18-24 AWG, Bag, Phosphor Bronze, 5.0µm Tin (Sn)	<u>8520812</u>
KK 156 TERMINAL CRIMP 18-24 AWG	<u>8530811</u>
KK CRIMP TERM UNPLT LSE PB2478999L	<u>8530812</u>
KK 156 TERMINAL CRIMP 1820 AWG	<u>8530814</u>
KK 156 TERM CRP 18-20 AWG TRIFURCON	<u>8531101</u>
KK 254 Crimp Terminal, 22-30 AWG, Reel, Selective Gold (Au), Nickel (Ni) Under Plating	<u>8550101</u>
KK 254 Crimp Terminal, 22-30 AWG, Bag, Selective Gold (Au), Nickel (Ni) Under Plating	<u>8550102</u>
KK 396 Crimp Terminal 2478, 18-24 AWG, Reel, Brass, 0.38µm Selective Gold (Au)	<u>8550103</u>
KK 396 Crimp Terminal 2478, 18-24 AWG, Bag, Brass, 0.38µm Selective Gold (Au)	<u>8550104</u>
KK 396 Crimp Terminal 2578, 22-26 AWG, Reel, Brass, 0.38µm Selective Gold (Au)	<u>8550105</u>
KK 396 Crimp Terminal 2578, 22-26 AWG, Bag, Brass, 0.38µm Selective Gold(Au)	<u>8550106</u>
KK 254 Crimp Terminal 4809, 22-30 AWG, Selective Gold (Au), Reel	<u>8550110</u>

KK 254 Crimp Terminal 4809, 22-30 AWG, Selective Gold (Au), Bag	<u>8550111</u>
KK 254 Cat Ear Crimp Terminal 4809, 22-30 AWG, Selective Gold, Reel	<u>8550112</u>
KK 396 Crimp Terminal 2578, 22-26 AWG, Reel, Brass, 0.76µm Select Gold (Au) over Gold Flash	<u>8550123</u>
KK High Pressure Crimp Terminal 7879, 22-30 AWG, Reel Selective Gold (Au)	<u>8550124</u>
KK High Pressure Crimp Terminal 7879, 22-30 AWG, Bag Selective Gold (Au)	<u>8550129</u>
KK 254 Crimp Terminal, 22-30 AWG, Reel, Selective Gold (Au), Nickel (Ni) Under Plating	<u>8550130</u>
KK 254 Crimp Terminal, 22-30 AWG, Bag, Selective Gold (Au), Nickel (Ni) Under Plating	<u>8550131</u>
KK 396 Crimp Terminal 2478, 18-24 AWG, Reel, Brass, 0.76µm Gold (Au)	<u>8550133</u>
KK 396 Crimp Terminal 2478, 18-24 AWG, Bag, Brass, 0.76µm Gold (Au)	<u>8550134</u>
KK 396 Crimp Terminal 2578, 22-26 AWG, Left Payoff Reel, Brass, 0.76µm Select Gold (Au) over Gold Flash	<u>8550137</u>
KK 156 TERMINAL CRIMP 1820 AWG GOLD	<u>8550138</u>
KK 396 Crimp Terminal 2478, 18-24 AWG, Reel, Brass, 0.51µm Selective Gold (Au)	<u>8560105</u>
KK 396 Crimp Terminal 2478, 18-24 AWG, Bag, Brass, 0.51µm Selective Gold (Au)	<u>8560106</u>
KK 396 Crimp Terminal 2578, 22-26 AWG, Reel, Brass,	<u>8560107</u>

0.51µm Select Gold
 (Au) over Gold Flash
 KK 396 Crimp 8560108
 Terminal 2578, 22-26
 AWG, Bag, Brass,
 0.51µm Select Gold
 (Au) over Gold Flash
 KK 254 Crimp 8560109
 Terminal, 22-30
 AWG, Reel, Gold
 (Au), Nickel (Ni)
 Under Plating
 KK 254 Crimp 8560110
 Terminal, 22-30
 AWG, Bag, Gold
 (Au), Nickel (Ni)
 Under Plating
 KK Crimp Terminal, 8560113
 Series 2477,
 Humpback, with
 Overall Gold (Au)
 Plated Brass
 Contact, 18-24 AWG,
 Reel
 KK Crimp Terminal, 8560114
 Series 2477,
 Humpback, with
 Overall Gold (Au)
 Plated Brass
 Contact, 18-24 AWG,
 Loose
 KK 254 Crimp 8560115
 Terminal 4809, 22-30
 AWG, Selective Gold
 (Au), Bag
 KK 254 Crimp 8560120
 Terminal 4809, 22-30
 AWG, Selective Gold
 (Au), Reel
 KK Trifurcon Crimp 8560123
 Terminal 7258,
 22-26 AWG, Reel,
 Phosphor Bronze
 Gold (Au)
 KK Trifurcon Crimp 8560124
 Terminal 7258,
 22-26 AWG, Bag,
 Phosphor Bronze
 Gold(Au)
 KK 156 TERMINAL 8580103
 CRIMP 18-24 AWG
 GOLD
 KK 156 TERMINAL 8580104
 CRIMP 18-24 AWG
 GOLD
 KK 156 TERM 8580105
 CRP 18-20 AWG
 TRIFURCON GOLD
 KK 156 TERM 8580106
 CRP 18-20 AWG
 TRIFURCON GOLD
 KK Trifurcon Crimp 8580110
 Terminal 6438,
 18-20 AWG, Reel,

Phosphor Bronze Selective Gold (Au) KK Trifurcon Crimp Terminal 6438, 18-20 AWG, Bag, Phosphor Bronze Selective Gold (Au)	<u>8580111</u>
KK 396 Crimp Terminal 2478, 18-24 AWG, Reel, Phosphor Bronze, 0.76µm Gold (Au)	<u>8580114</u>
KK 396 Crimp Terminal 2478, 18-24 AWG, Bag, Phosphor Bronze, 0.76µm Gold (Au)	<u>8580115</u>
KK 156 TERM CRP 18-20 AWG TRIFURCON GOLD	<u>8580118</u>
KK 396 Crimp Terminal 2478, 18-24 AWG, Reel, Phosphor Bronze, 0.51µm Selective Gold (Au)	<u>8580121</u>
KK 396 Crimp Terminal 2478, 18-24 AWG, Bag, Phosphor Bronze, 0.51µm Selective Gold (Au)	<u>8580122</u>
KK 396 Crimp Terminal 2578, 22-26 AWG, Reel, Phosphor Bronze, 0.51µm Selective Gold (Au)	<u>8580125</u>
KK 396 Crimp Terminal 2578, 22-26 AWG, Bag, Phosphor Bronze, 0.51µm Selective Gold (Au)	<u>8580126</u>
3.96mm Pitch KK Crimp Terminal 2878, 18-20 AWG, Reel, Phosphor Bronze, 0.51µm Selective Gold (Au), Bifurcated	<u>8580127</u>
3.96mm Pitch KK Crimp Terminal 2878, 18-20 AWG, Bag, Phosphor Bronze, 0.51µm Selective Gold (Au), Bifurcated	<u>8580128</u>
KK 396 Crimp Terminal 8818, 18-22 AWG, Reel, Phosphor Bronze Selective Gold (Au)	<u>8580135</u>
KK 396 Crimp Terminal 8818,	<u>8580136</u>

18-22 AWG, Bag, Phosphor Bronze Selective Gold (Au) KK Trifurcon Crimp Terminal 6438,	8580187
18-20 AWG, Reel, Phosphor Bronze Gold (Au) KK Trifurcon Crimp Terminal 6438,	8580189
18-20 AWG, Bag, Phosphor Bronze Gold(Au) KK 396 Crimp Terminal 2578,	8600003
22-26 AWG, Reel, Phosphor Bronze, 3.810µm Tin (Sn) KK 396 Crimp Terminal 2578,	8600004
22-26 AWG, Bag, Phosphor Bronze, 3.810µm Tin (Sn) KK 254 Crimp Terminal 8088, 22-30	8650105
AWG, Gold/Nickel, Reel KK 396 Crimp Terminal 2578,	8650110
22-26 AWG, Reel, Phosphor Bronze, 0.76µm Select Gold (Au) over Gold Flash KK 396 Crimp Terminal 2478,	8650114
18-24 AWG, Reel, Phosphor Bronze, 0.38µm Selective Gold (Au) KK 396 Crimp Terminal 2478,	8650115
18-24 AWG, Bag, Phosphor Bronze, 0.38µm Selective Gold (Au) KK 396 Crimp Terminal 2578,	8650116
22-26 AWG, Reel, Phosphor Bronze, 0.38µm Selective Gold (Au) KK 396 Crimp Terminal 2578,	8650117
22-26 AWG, Bag, Phosphor Bronze, 0.38µm Selective Gold (Au) 3.96mm Pitch KK Crimp Terminal 2878, 18-20 AWG,	8650118
Reel, Phosphor Bronze, 0.38µm Selective Gold (Au), Bifurcated	

3.96mm Pitch KK Crimp Terminal 2878, 18-20 AWG, Bag, Phosphor Bronze, 0.38µm Selective Gold (Au), Bifurcated	<u>8650119</u>
KK Trifurcon Crimp Terminal 7258, 22-26 AWG, Reel, Phosphor Bronze Selective Gold (Au)	<u>8650121</u>
KK Trifurcon Crimp Terminal 7258, 22-26 AWG, Bag, Phosphor Bronze Selective Gold (Au)	<u>8650122</u>
KK 396 Crimp Terminal 8818, 18-22 AWG, Reel, Phosphor Bronze Selective Gold (Au)	<u>8650128</u>
KK 396 Crimp Terminal 8818, 18-22 AWG, Bag, Phosphor Bronze Selective Gold (Au)	<u>8650129</u>
KK 100 Crp Term Std 22-30 Awg SGold	<u>8650801</u>
KK 254 Cat Ear Crimp Terminal 41572, Reel Tin (Sn)	<u>8650804</u>
KK 254 Cat Ear Crimp Terminal 41572, Bag Tin (Sn)	<u>8650805</u>
KK 100 Crp Term Std 22-30 Awg SGold	<u>8650811</u>
KK 100 Crp Term Std 22-30 Awg SGold	<u>8650812</u>
KK 254 Crimp Terminal 6459, 22-30 AWG, Reel, Phosphor Bronze Gold (Au)	<u>8650813</u>
KK 254 Crimp Terminal 6459, 22-30 AWG, Bag, Phosphor Bronze Gold (Au)	<u>8650814</u>
KK 254 Crimp Terminal 6459, 22-30 AWG, Reel, Phosphor Bronze Selective Gold (Au)	<u>8650815</u>
KK 254 Crimp Terminal 6459, 22-30 AWG, Bag, Phosphor Bronze Selective Gold (Au)	<u>8650816</u>
KK 100 Crp Term Std 22-30 Awg SGold	<u>8650817</u>

4.80mm Pitch Crimp 8700001
Terminal, Female,
Reel

4.80mm Pitch Crimp 8700002
Terminal, Male, Reel

3.96 and 5.08mm 8700012
Pitch KK Cat Ear
Crimp Terminal,
Female, 18-24 AWG,
Reel

KK Cat Ear Crimp 8700048
Terminal 5159,
22-28 AWG, Reel,
Phosphor Bronze,
Tin (Sn) Plating

KK Cat Ear Crimp 8700049
Terminal 5159,
22-28 AWG, Bag,
Phosphor Bronze,
Tin (Sn) Plating

SPOX Crimp 8700056
Terminal 5103, 22-28
AWG, Reel, Brass
(CuZn), Chain Type

SPOX Crimp 8700058
Terminal 5103,
22-28 AWG, Reel,
Phosphor Bronze
(CuSn), Chain Type

KK Cat Ear Crimp 8700064
Terminal 5159, 22-28
AWG, Reel, Brass,
Tin (Sn) over Copper
Plating

KK Cat Ear Crimp 8700069
Terminal 5159, 22-28
AWG, Bag, Brass,
Tin (Sn) over Copper
Plating

2.50mm Pitch 8700102
Mini-Latch Crimp
Terminal, Male,
Brass, Reel

2.50mm Pitch 8700103
Mini-Latch Crimp
Terminal, Male,
Brass, Bag

Board-in Crimp 8700106
Terminal , Series
5298, Male, with Tin
Insulation Diameter,
Reel Packaged

.062DIA CRIMP 8701011
REC.

.062DIA CRIMP PIN 8701013

SPOX Crimp 8701030
Terminal, 18-24
AWG, Brass, Bag

SPOX Crimp 8701031
Terminal, 18-24
AWG, Brass, Reel

2.50mm Pitch, Mini- 8701039
SPOX Female Crimp
Terminal, 22-28
AWG, Reel

2.50mm Pitch Mini-SPOX Crimp Terminal, 22-28 AWG, Bag	<u>8701040</u>
2.5 Low Profile Crimp Rec Chain W/ Plt	<u>8701047</u>
3.96mm Pitch KK Crimp Housing, Edge Card Connector, Single-Sided, Polarized, Positive Lock, with Probe Hole, 3 Circuits	<u>9011036</u>
.156 IDT ASSEMBLY 724103L	<u>9072031</u>
KK 396 PC Board Connector, Right Angle, Polyester Connector, 5.00µm Tin (Sn), 2 Circuits	<u>9481024</u>
KK 396 PC Board Connector, Right Angle, Polyester Connector, 5.00µm Tin (Sn), 3 Circuits	<u>9481034</u>
KK 396 PC Board Connector, Right Angle, Polyester Connector, 5.00µm Tin (Sn), 4 Circuits	<u>9481044</u>
KK 396 PC Board Connector, Right Angle, Polyester Connector, 5.00µm Tin (Sn), 5 Circuits	<u>9481054</u>
KK 396 PC Board Connector, Right Angle, Polyester Connector, 5.00µm Tin (Sn), 6 Circuits	<u>9481064</u>
KK 396 PC Board Connector, Right Angle, Polyester Connector, 5.00µm Tin (Sn), 7 Circuits	<u>9481074</u>
KK 396 PC Board Connector, Right Angle, Polyester Connector, 5.00µm Tin (Sn), 8 Circuits	<u>9481084</u>
KK 396 PC Board Connector, Right Angle, Polyester Connector, 5.00µm Tin (Sn), 9 Circuits	<u>9481094</u>
KK 396 PC Board Connector, Right Angle, Polyester Connector, 5.00µm Tin (Sn), 10 Circuits	<u>9481104</u>
KK 396 PC Board Connector, Top Entry, Polyester	<u>9481105</u>

Connector, Gold (Au)
Selective, 10 Circuits
KK 396 PC Board 9481114
Connector, Right
Angle, Polyester
Connector, 5.00µm
Tin (Sn), 11 Circuits
KK 396 PC Board 9481124
Connector, Right
Angle, Polyester
Connector, 5.00µm
Tin (Sn), 12 Circuits
KK 396 PC Board 9481134
Connector, Right
Angle, Polyester
Connector, 5.00µm
Tin (Sn), 13 Circuits
KK 396 PC Board 9481144
Connector, Right
Angle, Polyester
Connector, 5.00µm
Tin (Sn), 14 Circuits
KK 396 PC Board 9481154
Connector, Right
Angle, Polyester
Connector, 5.00µm
Tin (Sn), 15 Circuits
KK 396 PC Board 9483024
Connector, Bottom
Entry, Polyester
Connector, Gold (Au)
Selective, 2 Circuits
KK 396 PC Board 9483025
Connector, Right
Angle, Polyester
Connector, Gold (Au)
Selective, 2 Circuits
KK 396 PC Board 9483026
Connector, Top
Entry, Polyester
Connector, Gold (Au)
Selective, 2 Circuits
KK 396 PC Board 9483034
Connector, Bottom
Entry, Polyester
Connector, Gold (Au)
Selective, 3 Circuits
KK 396 PC Board 9483035
Connector, Right
Angle, Polyester
Connector, Gold (Au)
Selective, 3 Circuits
KK 396 PC Board 9483036
Connector, Top
Entry, Polyester
Connector, Gold (Au)
Selective, 3 Circuits
KK 396 PC Board 9483044
Connector, Bottom
Entry, Polyester
Connector, Gold (Au)
Selective, 4 Circuits
KK 396 PC Board 9483045
Connector, Right-
Angle, Polyester

Connector, Gold (Au)
Selective, 4 Circuits
KK 396 PC Board 9483046
Connector, Top
Entry, Polyester
Connector, Gold (Au)
Selective, 4 Circuits
KK 396 PC Board 9483054
Connector, Bottom
Entry, Polyester
Connector, Gold (Au)
Selective, 5 Circuits
KK 396 PC Board 9483055
Connector, Right-
Angle, Polyester
Connector, Gold (Au)
Selective, 5 Circuits
KK 396 PC Board 9483056
Connector, Top
Entry, Polyester
Connector, Gold (Au)
Selective, 5 Circuits
KK 396 PC Board 9483064
Connector, Bottom
Entry, Polyester
Connector, Gold (Au)
Selective, 6 Circuits
KK 396 PC Board 9483065
Connector, Right-
Angle, Polyester
Connector, Gold (Au)
Selective, 6 Circuits
KK 396 PC Board 9483066
Connector, Top
Entry, Polyester
Connector, Gold (Au)
Selective, 6 Circuits
KK 396 PC Board 9483074
Connector, Bottom
Entry, Polyester
Connector, Gold (Au)
Selective, 7 Circuits
KK 396 PC Board 9483075
Connector, Right-
Angle, Polyester
Connector, Gold (Au)
Selective, 7 Circuits
KK 396 PC Board 9483076
Connector, Top
Entry, Polyester
Connector, Gold (Au)
Selective, 7 Circuits
KK 396 PC Board 9483084
Connector, Bottom
Entry, Polyester
Connector, Gold (Au)
Selective, 8 Circuits
KK 396 PC Board 9483085
Connector, Right-
Angle, Polyester
Connector, Gold (Au)
Selective, 8 Circuits
KK 396 PC Board 9483086
Connector, Top
Entry, Polyester

Connector, Gold (Au)
Selective, 8 Circuits
KK 396 PC Board 9483094
Connector, Bottom
Entry, Polyester
Connector, Gold (Au)
Selective, 9 Circuits
KK 396 PC Board 9483095
Connector, Right-
Angle, Polyester
Connector, Gold (Au)
Selective, 9 Circuits
KK 396 PC Board 9483096
Connector, Top
Entry, Polyester
Connector, Gold (Au)
Selective, 9 Circuits
KK 396 PC Board 9483104
Connector, Bottom
Entry, Polyester
Connector, Gold (Au)
Selective, 10 Circuits
KK 396 PC Board 9483105
Connector, Right-
Angle, Polyester
Connector, Gold (Au)
Selective, 10 Circuits
KK 396 PC Board 9483106
Connector, Top
Entry, Polyester
Connector, Gold (Au)
Selective, 10 Circuits
KK 396 PC Board 9483114
Connector, Bottom
Entry, Polyester
Connector, Gold (Au)
Selective, 11 Circuits
KK 396 PC Board 9483115
Connector, Right-
Angle, Polyester
Connector, Gold (Au)
Selective, 11 Circuits
KK 396 PC Board 9483116
Connector, Top
Entry, Polyester
Connector, Gold (Au)
Selective, 11 Circuits
KK 396 PC Board 9483124
Connector, Bottom
Entry, Polyester
Connector, Gold (Au)
Selective, 12 Circuits
KK 396 PC Board 9483125
Connector, Right-
Angle, Polyester
Connector, Gold (Au)
Selective, 12 Circuits
KK 396 PC Board 9483126
Connector, Top
Entry, Polyester
Connector, Gold (Au)
Selective, 12 Circuits
KK 396 PC Board 9483134
Connector, Bottom
Entry, Polyester

Connector, Gold (Au)
Selective, 13 Circuits
KK 396 PC Board 9483135
Connector, Right-
Angle, Polyester
Connector, Gold (Au)
Selective, 13 Circuits
KK 396 PC Board 9483136
Connector, Top
Entry, Polyester
Connector, Gold (Au)
Selective, 13 Circuits
KK 396 PC Board 9483144
Connector, Bottom
Entry, Polyester
Connector, Gold (Au)
Selective, 14 Circuits
KK 396 PC Board 9483145
Connector, Right-
Angle, Polyester
Connector, Gold (Au)
Selective, 14 Circuits
KK 396 PC Board 9483146
Connector, Top
Entry, Polyester
Connector, Gold (Au)
Selective, 14 Circuits
KK 396 PC Board 9483154
Connector, Bottom
Entry, Polyester
Connector, Gold (Au)
Selective, 15 Circuits
KK 396 PC Board 9483155
Connector, Right-
Angle, Polyester
Connector, Gold (Au)
Selective, 15 Circuits
KK 396 PC Board 9483156
Connector, Top
Entry, Polyester
Connector, Gold (Au)
Selective, 15 Circuits
KK 396 PC Board 9484028
Connector, Top
Entry, Polyester
Connector, 5.00µm
Tin (Sn), 2 Circuits
KK 396 PC Board 9484029
Connector, Bottom
Entry, Polyester
Connector, 5.00µm
Tin (Sn), 2 Circuits
KK 396 PC Board 9484038
Connector, Top
Entry, Polyester
Connector, 5.00µm
Tin (Sn), 3 Circuits
KK 396 PC Board 9484039
Connector, Bottom
Entry, Polyester
Connector, 5.00µm
Tin (Sn), 3 Circuits
KK 396 PC Board 9484048
Connector, Top
Entry, Polyester

Connector, 5.00µm Tin (Sn), 4 Circuits KK 396 PC Board	<u>9484049</u>
Connector, Bottom Entry, Polyester	
Connector, 5.00µm Tin (Sn), 4 Circuits KK 396 PC Board	<u>9484058</u>
Connector, Top Entry, Polyester	
Connector, 5.00µm Tin (Sn), 5 Circuits KK 396 PC Board	<u>9484059</u>
Connector, Bottom Entry, Polyester	
Connector, 5.00µm Tin (Sn), 5 Circuits KK 396 PC Board	<u>9484068</u>
Connector, Top Entry, Polyester	
Connector, 5.00µm Tin (Sn), 6 Circuits KK 396 PC Board	<u>9484069</u>
Connector, Bottom Entry, Polyester	
Connector, 5.00µm Tin (Sn), 6 Circuits KK 396 PC Board	<u>9484078</u>
Connector, Top Entry, Polyester	
Connector, 5.00µm Tin (Sn), 7 Circuits KK 396 PC Board	<u>9484079</u>
Connector, Bottom Entry, Polyester	
Connector, 5.00µm Tin (Sn), 7 Circuits KK 396 PC Board	<u>9484088</u>
Connector, Top Entry, Polyester	
Connector, 5.00µm Tin (Sn), 8 Circuits KK 396 PC Board	<u>9484089</u>
Connector, Bottom Entry, Polyester	
Connector, 5.00µm Tin (Sn), 8 Circuits KK 396 PC Board	<u>9484098</u>
Connector, Top Entry, Polyester	
Connector, 5.00µm Tin (Sn), 9 Circuits KK 396 PC Board	<u>9484099</u>
Connector, Bottom Entry, Polyester	
Connector, 5.00µm Tin (Sn), 9 Circuits KK 396 PC Board	<u>9484108</u>
Connector, Top Entry, Polyester	
Connector, 5.00µm Tin (Sn), 10 Circuits KK 396 PC Board	<u>9484109</u>
Connector, Bottom Entry, Polyester	

Connector, 5.00µm
Tin (Sn), 10 Circuits
KK 396 PC Board 9484118
Connector, Top
Entry, Polyester
Connector, 5.00µm
Tin (Sn), 11 Circuits
KK 396 PC Board 9484119
Connector, Bottom
Entry, Polyester
Connector, 5.00µm
Tin (Sn), 11 Circuits
KK 396 PC Board 9484128
Connector, Top
Entry, Polyester
Connector, 5.00µm
Tin (Sn), 12 Circuits
KK 396 PC Board 9484129
Connector, Bottom
Entry, Polyester
Connector, 5.00µm
Tin (Sn), 12 Circuits
KK 396 PC Board 9484138
Connector, Top
Entry, Polyester
Connector, 5.00µm
Tin (Sn), 13 Circuits
KK 396 PC Board 9484139
Connector, Bottom
Entry, Polyester
Connector, 5.00µm
Tin (Sn), 13 Circuits
KK 396 PC Board 9484148
Connector, Top
Entry, Polyester
Connector, 5.00µm
Tin (Sn), 14 Circuits
KK 396 PC Board 9484149
Connector, Bottom
Entry, Polyester
Connector, 5.00µm
Tin (Sn), 14 Circuits
KK 396 PC Board 9484158
Connector, Top
Entry, Polyester
Connector, 5.00µm
Tin (Sn), 15 Circuits
KK 396 PC Board 9484159
Connector, Bottom
Entry, Polyester
Connector, 5.00µm
Tin (Sn), 15 Circuits
KK 156 PC Board 9485088
Connector, Top
Entry, Polyester
Connector, Tin (Sn),
8 Circuits
3.96mm Pitch SPOX 9501021
Crimp Housing,
Female, with Friction
Ramp, 2 Circuits,
Natural
3.96mm Pitch SPOX 9501023
Crimp Housing,
Female, with Friction

Ramp and Void, 2
Circuits, Natural
3.96mm Pitch SPOX [9501031](#)
Crimp Housing,
Female, with Friction
Ramp, 3 Circuits,
Natural
3.96mm Pitch SPOX [9501033](#)
Crimp Housing,
Female, with Friction
Ramp and Void, 3
Circuits, Natural
3.96mm Pitch SPOX [9501041](#)
Crimp Housing,
Female, with Friction
Ramp, 4 Circuits,
Natural
3.96mm Pitch SPOX [9501043](#)
Crimp Housing,
Female, with Friction
Ramp and Void, 4
Circuits, Natural
3.96mm Pitch SPOX [9501051](#)
Crimp Housing,
Female, with Friction
Ramp, 5 Circuits,
Natural
3.96mm Pitch SPOX [9501053](#)
Crimp Housing,
Female, with Friction
Ramp and Void, 5
Circuits, Natural
3.96mm Pitch SPOX [9501061](#)
Crimp Housing,
Female, with Friction
Ramp, 6 Circuits,
Natural
3.96mm Pitch SPOX [9501063](#)
Crimp Housing,
Female, with Friction
Ramp and Void, 6
Circuits, Natural
3.96mm Pitch SPOX [9501071](#)
Crimp Housing,
Female, with Friction
Ramp, 7 Circuits,
Natural
3.96mm Pitch SPOX [9501073](#)
Crimp Housing,
Female, with Friction
Ramp and Void, 7
Circuits, Natural
3.96mm Pitch SPOX [9501081](#)
Crimp Housing,
Female, with Friction
Ramp, 8 Circuits,
Natural
3.96mm Pitch SPOX [9501083](#)
Crimp Housing,
Female, with Friction
Ramp and Void, 8
Circuits, Natural
3.96mm Pitch SPOX [9501091](#)
Crimp Housing,
Female, with Friction

Ramp, 9 Circuits,
Natural
3.96mm Pitch SPOX [9501101](#)
Crimp Housing,
Female, with Friction
Ramp, 10 Circuits,
Natural
3.96mm Pitch SPOX [9501103](#)
Crimp Housing,
Female, with Friction
Ramp and Void, 10
Circuits, Natural
3.96mm Pitch SPOX [9501111](#)
Crimp Housing,
Female, with Friction
Ramp, 11 Circuits,
Natural
3.96mm Pitch SPOX [9501113](#)
Crimp Housing,
Female, with Friction
Ramp and Void, 11
Circuits, Natural
3.96mm Pitch SPOX [9501121](#)
Crimp Housing,
Female, with Friction
Ramp, 12 Circuits,
Natural
KK 3.96mm Crimp [9503021](#)
Terminal Housing,
Friction Ramp, 2
Circuits, Natural
KK 3.96mm Crimp [9503031](#)
Terminal Housing,
Friction Ramp, 3
Circuits, Natural
KK 3.96mm Crimp [9503041](#)
Terminal Housing,
Friction Ramp, 4
Circuits, Natural
KK 3.96mm Crimp [9503051](#)
Terminal Housing,
Friction Ramp, 5
Circuits, Natural
KK 3.96mm Crimp [9503061](#)
Terminal Housing,
Friction Ramp, 6
Circuits, Natural
KK 3.96mm Crimp [9503071](#)
Terminal Housing,
Friction Ramp, 7
Circuits, Natural
KK 3.96mm Crimp [9503081](#)
Terminal Housing,
Friction Ramp, 8
Circuits, Natural
KK 3.96mm Crimp [9503091](#)
Terminal Housing,
Friction Ramp, 9
Circuits, Natural
KK 3.96mm Crimp [9503101](#)
Terminal Housing,
Friction Ramp, 10
Circuits, Natural
KK 3.96mm Crimp [9503111](#)
Terminal Housing,

Friction Ramp, 11 Circuits, Natural KK 3.96mm Crimp Terminal Housing,	<u>9503121</u>
Friction Ramp, 12 Circuits, Natural KK 3.96mm Crimp Terminal Housing,	<u>9503131</u>
Friction Ramp, 13 Circuits, Natural KK 3.96mm Crimp Terminal Housing,	<u>9503141</u>
Friction Ramp, 14 Circuits, Natural KK 3.96mm Crimp Terminal Housing,	<u>9503151</u>
Friction Ramp, 15 Circuits, Natural KK 3.96mm Crimp Terminal Housing,	<u>9503161</u>
Friction Ramp, 16 Circuits, Natural	

This document was generated on 03/09/2020

PLEASE CHECK WWW.MOLEX.COM FOR LATEST PART INFORMATION

Mouser Electronics

Authorized Distributor

Click to View Pricing, Inventory, Delivery & Lifecycle Information:

[Molex:](#)

[63853-5000](#)