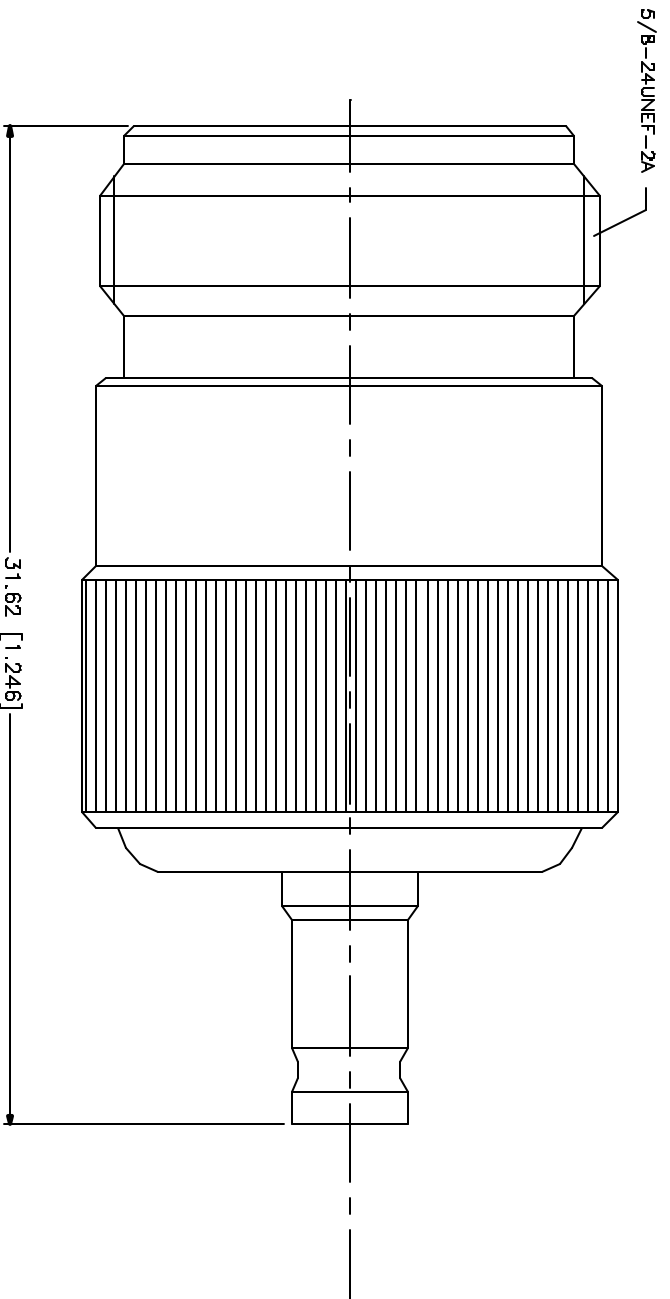


REV.	DATE	DESCRIPTION
NC	03/27/05	INITIAL RELEASE



REV.	DATE	DESCRIPTION	MATERIAL	FINISH	QTY
8					
7					
6					
5					
4					
3			PHOS. BRONZE	GOLD	1
2			TEFLON	NATURAL	1
1			BRASS	NICKEL	1
		DESCRIPTION			

UNLESS OTHERWISE SPECIFIED DIMENSIONS ARE IN INCHES AND FOR DECIMALS ROUND UP.	
UNLESS OTHERWISE SPECIFIED DIMENSIONS ARE IN MILLIMETERS AND FOR DECIMALS ROUND UP.	
UNLESS OTHERWISE SPECIFIED DIMENSIONS ARE IN MILLIMETERS AND FOR DECIMALS ROUND UP.	UNLESS OTHERWISE SPECIFIED DIMENSIONS ARE IN MILLIMETERS AND FOR DECIMALS ROUND UP.
0.25 - 0.015 = ± 0.0007"	0.25 - 0.015 = ± 0.0007"
0.315 - 1.180 = ± 0.015"	0.315 - 1.180 = ± 0.015"
1.180 - 4.724 = ± 0.020"	1.180 - 4.724 = ± 0.020"

APPROVALS	DATE
DRAWN G.R.S.	03/27/05
CHECKED	
ISSUED	
SHEET 1 OF 1	

PART DESCRIPTION	N JACK TO 1.0/2.3 JACK ADAPTER
PART NO.	242218
DWG. NO.	242218.DWG
REV.	NC
SIZE	A
SCALE	NA

Mouser Electronics

Authorized Distributor

Click to View Pricing, Inventory, Delivery & Lifecycle Information:

[Amphenol:](#)

[242218](#)