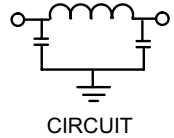
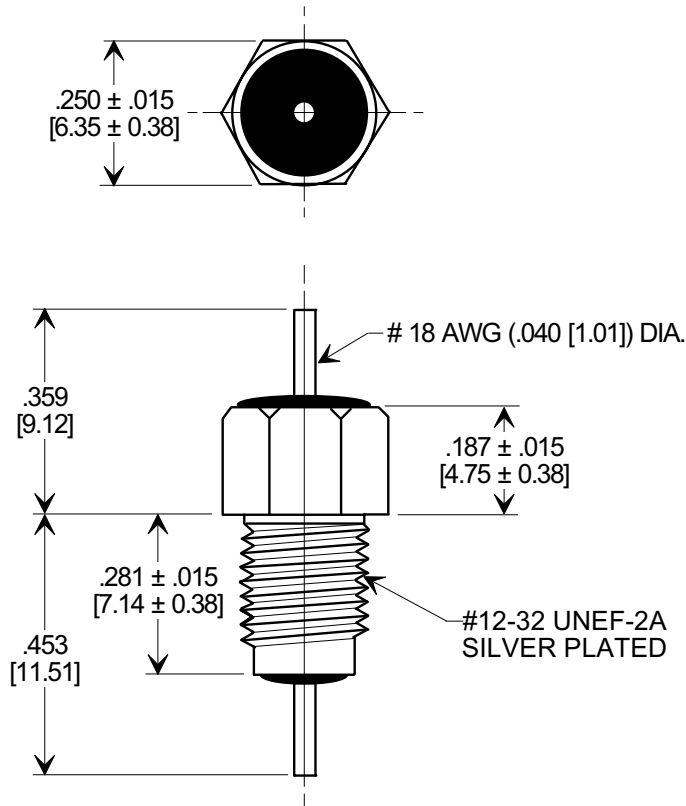
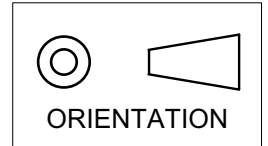


# MARKETING SALES DRAWING

DIMENSIONS IN INCHES - DO NOT SCALE THIS DRAWING  
 DIMENSIONS IN METRIC - [ ]

Electrical Testing  
 per Tusonix standard  
 test plans and Mil-Std-202  
 Test Methods.



NOTES:

- TUSONIX STANDARD PART NUMBER: 4202-004.  
 TUSONIX RoHS COMPLIANT PART NUMBER: 4202-004 LF.  
 CUSTOMER MUST SPECIFY STANDARD OR RoHS PART NUMBER WHEN ORDERING.
- LEAD FINISH: STANDARD PART NO.: 60/40 SOLDER PLATED.  
 RoHS PART NO.: SILVER PLATED.
- PART MARKING: STANDARD BLACK INK FOR VARIATION AND DATE CODE. RoHS PART: GREEN FOR VARIATION AND DATE CODE.
- SUPPLIED WITH SILVER PLATED MOUNTING HEX NUT AND LOCK WASHER.

GMV CAP. (pF)	WORKING VOLTAGE (VDC)		CURRENT (Idc)	I.R. MIN. @ 100 (VDC.)	DWV (VDC)	MINIMUM NO LOAD INSERTION LOSS (dB) AT 25°C PER MIL-STD -220			
	85°C	125 °C				10 MHz	100 MHz	1 GHz	10 GHz
2500	500	350	15A	10 G Ω	1200	5	50	70	70

X-2015 Rev-0	<b>REVISION RECORD</b>				--TOLERANCES-- Unless Otherwise Specified	Title <b>BUSHING STYLE EMI FILTER</b>	
	0	Original Release C.O.					
	1	WORKING VOLTAGE REV'D -85 WAS -55 & 350 ADDED L.E. 3-3-91			ANGLES ±	Approved T.C. 08-30-01	
	2	C.O. 5800 RDN TO COMP FMT & METRIC ADDED L.E. 08-31-01			<b>TUSONIX</b> TUCSON, ARIZONA	<b>A</b>	<b>4202-004</b>
3	20010830-1-01 ADDED NOTES 1-3, DWV & IR. S.M. 04-12-05						
4	20050407-6-02						

# Mouser Electronics

Authorized Distributor

Click to View Pricing, Inventory, Delivery & Lifecycle Information:

[Tusonix / CTS:](#)

[4202-001LF](#) [4202-004LF](#) [4202-021LF](#)