



**BOARD LEVEL COOLING – Extruded 5330**

Extruded 5330 is a series of dual radial board level heat sinks designed to cool TO-220 and TO-220-single gauge devices. Representative image only.

**ORDERING INFORMATION**

Part Number	Device Type
533002B02551G	TO-220, TO-220-single gauge (0.020")
533101B02551G	TO-220, TO-220-single gauge (0.020")
533102B02551G	TO-220, TO-220-single gauge (0.020")



**HEAT SINK DETAILS**

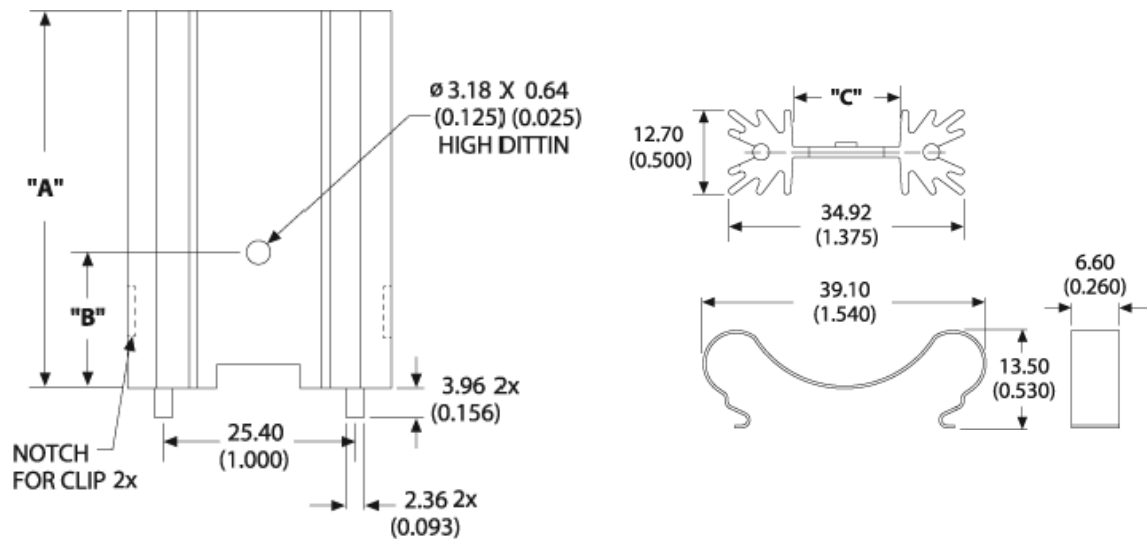
Property	Details
Material	Aluminum
Finishing	Black Anodize
Device Attachment Options	Kool Clip 51
Thermal Interface Material	N/A

Property	Details
Heat Sink Width (mm)	34.92
Heat Sink Height (mm)	See "A" Dim below
Heat Sink Length (mm)	12.70
Heat Sink Mounting Direction	Vertical

**MECHANICAL & PERFORMANCE**

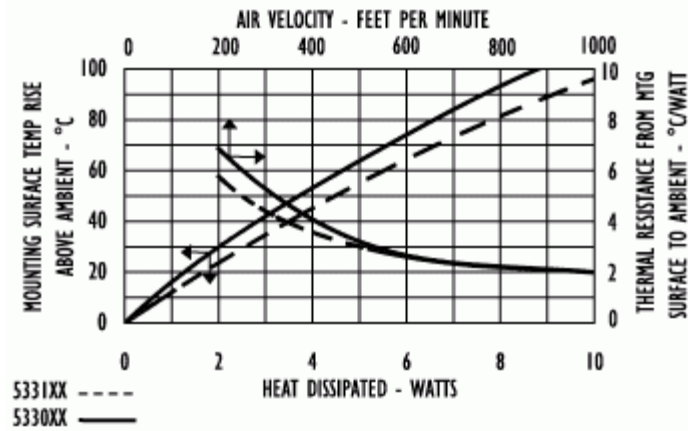
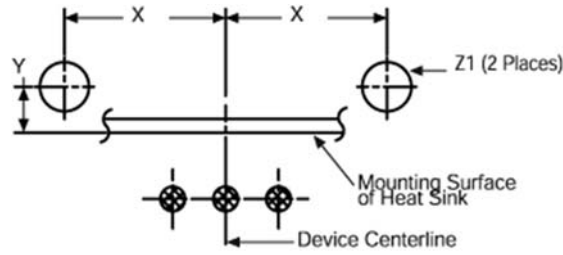
Drawing dimensions are shown in mm, (in)

Part Number	"A" Dim	"B" Dim	"C" Dim	"X" Dim	"Y" Dim	"Z" Dim
533002B02551G	25.40	18.29	15.88	12.70 (0.500)	0.79 (0.031)	2.67 (0.105)
533101B02551G	38.10	21.59	17.20	12.70 (0.500)	0.79 (0.031)	2.67 (0.105)
533102B02551G	38.10	18.29	15.88	12.70 (0.500)	0.79 (0.031)	2.67 (0.105)



# Board Level Cooling – Extruded 5330

Mounting Details:



# Mouser Electronics

Authorized Distributor

Click to View Pricing, Inventory, Delivery & Lifecycle Information:

[Aavid Thermalloy:](#)

[533002B02551G](#) [533101B02551G](#) [533102B02551G](#)