

### FEATURES

**Complete 10-Bit, 40 MSPS Dual Transmit DAC**  
**Excellent Gain and Offset Matching**  
**Differential Nonlinearity Error: 0.5 LSB**  
**Effective Number of Bits: 9.5**  
**Signal-to-Noise and Distortion Ratio: 59 dB**  
**Spurious-Free Dynamic Range: 71 dB**  
**2× Interpolation Filters**  
**20 MSPS/Channel Data Rate**  
**Single Supply: 3 V to 5.5 V**  
**Low Power Dissipation: 93 mW (3 V Supply @ 40 MSPS)**  
**On-Chip Reference**  
**28-Lead SSOP**

### PRODUCT DESCRIPTION

The AD9761 is a complete dual-channel, high speed, 10-bit CMOS DAC. The AD9761 has been developed specifically for use in wide bandwidth communication applications (e.g., spread spectrum) where digital I and Q information is being processed during transmit operations. It integrates two 10-bit, 40 MSPS DACs, dual 2× interpolation filters, a voltage reference, and digital input interface circuitry. The AD9761 supports a 20 MSPS per channel input data rate that is then interpolated by 2× up to 40 MSPS before simultaneously updating each DAC.

The interleaved I and Q input data stream is presented to the digital interface circuitry, which consists of I and Q latches as well as some additional control logic. The data is de-interleaved back into its original I and Q data. An on-chip state machine ensures the proper pairing of I and Q data. The data output from each latch is then processed by a 2× digital interpolation filter that eases the reconstruction filter requirements. The interpolated output of each filter serves as the input of their respective 10-bit DAC.

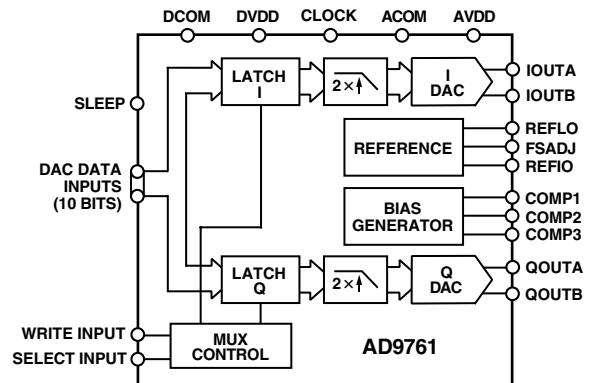
The DACs utilize a segmented current source architecture combined with a proprietary switching technique to reduce glitch energy and to maximize dynamic accuracy. Each DAC provides differential current output, thus supporting single-ended or differential applications. Both DACs are simultaneously updated and provide a nominal full-scale current of 10 mA. Also, the full-scale currents between each DAC are matched to within 0.07 dB (i.e., 0.75%), thus eliminating the need for additional gain calibration circuitry.

The AD9761 is manufactured on an advanced low cost CMOS process. It operates from a single supply of 3 V to 5.5 V and consumes 200 mW of power. To make the AD9761 complete, it also offers an internal 1.20 V temperature-compensated band gap reference.

### REV. C

Information furnished by Analog Devices is believed to be accurate and reliable. However, no responsibility is assumed by Analog Devices for its use, nor for any infringements of patents or other rights of third parties that may result from its use. No license is granted by implication or otherwise under any patent or patent rights of Analog Devices. Trademarks and registered trademarks are the property of their respective companies.

### FUNCTIONAL BLOCK DIAGRAM



### PRODUCT HIGHLIGHTS

- Dual 10-Bit, 40 MSPS DACs**  
 A pair of high performance 40 MSPS DACs optimized for low distortion performance provide for flexible transmission of I and Q information.
- 2× Digital Interpolation Filters**  
 Dual matching FIR interpolation filters with 62.5 dB stop-band rejection precede each DAC input, thus reducing the DACs' reconstruction filter requirements.
- Low Power**  
 Complete CMOS dual DAC function operates on a low 200 mW on a single supply from 3 V to 5.5 V. The DAC full-scale current can be reduced for lower power operation, and a sleep mode is provided for power reduction during idle periods.
- On-Chip Voltage Reference**  
 The AD9761 includes a 1.20 V temperature-compensated band gap voltage reference.
- Single 10-Bit Digital Input Bus**  
 The AD9761 features a flexible digital interface that allows each DAC to be addressed in a variety of ways including different update rates.
- Small Package**  
 The AD9761 offers the complete integrated function in a compact 28-lead SSOP package.
- Product Family**  
 The AD9761 Dual Transmit DAC has a pair of Dual Receive ADC companion products, the AD9281 (8 bits) and AD9201 (10 bits).

# AD9761—SPECIFICATIONS

## DC SPECIFICATIONS (T<sub>MIN</sub> to T<sub>MAX</sub>, AVDD = 5 V, DVDD = 5 V, I<sub>OUTFS</sub> = 10 mA, unless otherwise noted.)

Parameter	Min	Typ	Max	Unit
RESOLUTION	10			Bits
DC ACCURACY <sup>1</sup>				
Integral Nonlinearity Error (INL)				
T <sub>A</sub> = 25°C	-1.75	±0.5	+1.75	LSB
T <sub>MIN</sub> to T <sub>MAX</sub>	-2.75	±0.7	+2.75	LSB
Differential Nonlinearity (DNL)				
T <sub>A</sub> = 25°C	-1	±0.4	+1.25	LSB
T <sub>MIN</sub> to T <sub>MAX</sub>	-1	±0.5	+1.75	LSB
Monotonicity (10-Bit)	Guaranteed over Rated Specification Temperature Range			
ANALOG OUTPUT				
Offset Error	-0.05	±0.025	+0.05	% of FSR
Offset Matching between DACs	-0.10	±0.05	+0.10	% of FSR
Gain Error (without Internal Reference)	-5.5	±1.0	+5.5	% of FSR
Gain Error (with Internal Reference)	-5.5	±1.0	+5.5	% of FSR
Gain Matching between DACs	-1.0	±0.25	+1.0	% of FSR
Full-Scale Output Current <sup>2</sup>		10		mA
Output Compliance Range	-1.0		+1.25	V
Output Resistance		100		kΩ
Output Capacitance		5		pF
REFERENCE OUTPUT				
Reference Voltage	1.14	1.20	1.26	V
Reference Output Current <sup>3</sup>		100		nA
REFERENCE INPUT				
Input Compliance Range	0.1		1.25	V
Reference Input Resistance		1		MΩ
TEMPERATURE COEFFICIENTS				
Unipolar Offset Drift		0		ppm/°C
Gain Drift (without Internal Reference)		±50		ppm/°C
Gain Drift (with Internal Reference)		±140		ppm/°C
Gain Matching Drift (between DACs)		±25		ppm/°C
Reference Voltage Drift		±50		ppm/°C
POWER SUPPLY				
AVDD				
Voltage Range	3.0	5.0	5.5	V
Analog Supply Current (I <sub>AVDD</sub> )		26	29	mA
DVDD				
Voltage Range	2.7	5.0	5.5	V
Digital Supply Current at 5 V (I <sub>DVDD</sub> ) <sup>4</sup>		15	18	mA
Digital Supply Current at 3 V (I <sub>DVDD</sub> ) <sup>4</sup>		5		mA
Nominal Power Dissipation <sup>5</sup>				
AVDD and DVDD at 3 V		93		mW
AVDD and DVDD at 5 V		200	250	mW
Power Supply Rejection Ratio (PSRR)—AVDD	-0.25		+0.25	% of FSR/V
Power Supply Rejection Ratio (PSRR)—DVDD	-0.02		+0.02	% of FSR/V
OPERATING RANGE	-40		+85	°C

### NOTES

<sup>1</sup>Measured at I<sub>OUTA</sub> and Q<sub>OUTA</sub>, driving a virtual ground.

<sup>2</sup>Nominal full-scale current, I<sub>OUTFS</sub>, is 16× the I<sub>REF</sub> current.

<sup>3</sup>Use an external amplifier to drive any external load.

<sup>4</sup>Measured at f<sub>CLOCK</sub> = 40 MSPS and f<sub>OUT</sub> = 1 MHz.

<sup>5</sup>Measured as unbuffered voltage output into 50 Ω R<sub>LOAD</sub> at I<sub>OUTA</sub>, I<sub>OUTB</sub>, Q<sub>OUTA</sub>, and Q<sub>OUTB</sub>; f<sub>CLOCK</sub> = 40 MSPS and f<sub>OUT</sub> = 8 MHz.

Specifications subject to change without notice.

## DYNAMIC SPECIFICATIONS ( $T_{MIN}$ to $T_{MAX}$ , AVDD = 5 V, DVDD = 5 V, $I_{OUTFS}$ = 10 mA, Differential Transformer Coupled Output, 50 $\Omega$ Doubly Terminated, unless otherwise noted.)

Parameter	Min	Typ	Max	Unit
<b>DYNAMIC PERFORMANCE</b>				
Maximum Output Update Rate	40			MSPS
Output Settling Time ( $t_{ST}$ to 0.025%)		35		ns
Output Propagation Delay ( $t_{PD}$ )		55		Input Clock Cycles
Glitch Impulse		5		pV-s
Output Rise Time (10% to 90%)		2.5		ns
Output Fall Time (10% to 90%)		2.5		ns
<b>AC LINEARITY TO NYQUIST</b>				
Signal-to-Noise and Distortion (SINAD) $f_{OUT} = 1$ MHz; CLOCK = 40 MSPS	56	59		dB
Effective Number of Bits (ENOBs)	9.0	9.5		Bits
Total Harmonic Distortion (THD) $f_{OUT} = 1$ MHz; CLOCK = 40 MSPS $T_A = 25^\circ\text{C}$		-68	-58	dB
$T_{MIN}$ to $T_{MAX}$		-67	-53	dB
Spurious-Free Dynamic Range (SFDR) $f_{OUT} = 1$ MHz; CLOCK = 40 MSPS; 10 MHz Span	59	68		dB
Channel Isolation $f_{OUT} = 8$ MHz; CLOCK = 40 MSPS; 10 MHz Span		90		dBc

Specifications subject to change without notice.

## DIGITAL SPECIFICATIONS ( $T_{MIN}$ to $T_{MAX}$ , AVDD = 5 V, DVDD = 5 V, $I_{OUTFS}$ = 10 mA unless otherwise noted.)

Parameter	Min	Typ	Max	Unit
<b>DIGITAL INPUTS</b>				
Logic 1 Voltage @ DVDD = 5 V	3.5	5		V
Logic 1 Voltage @ DVDD = 3 V	2.4	3		V
Logic 0 Voltage @ DVDD = 5 V		0	1.3	V
Logic 0 Voltage @ DVDD = 3 V		0	0.9	V
Logic 1 Current	-10		+10	$\mu\text{A}$
Logic 0 Current	-10		+10	$\mu\text{A}$
Input Capacitance		5		pF
Input Setup Time ( $t_S$ )		3		ns
Input Hold Time ( $t_H$ )		2		ns
CLOCK High		5		ns
CLOCK Low		5		ns
Invalid CLOCK/WRITE Window ( $t_{CINV}$ )*	1		5	ns

\* $t_{CINV}$  is an invalid window of 4 ns duration beginning 1 ns after the rising edge of WRITE in which the rising edge of CLOCK *must not* occur.

Specifications subject to change without notice.

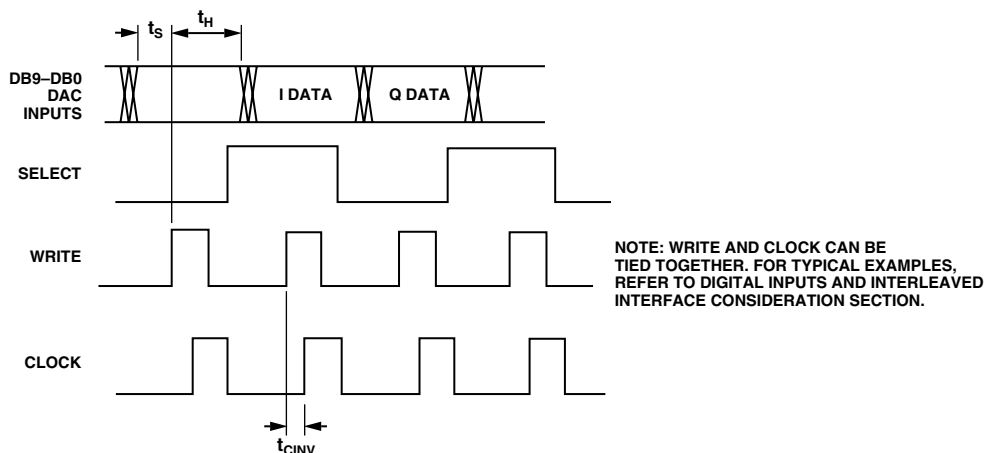


Figure 1. Timing Diagram

# AD9761

## DIGITAL FILTER SPECIFICATIONS

( $T_{MIN}$  to  $T_{MAX}$ ,  $AVDD = 2.7\text{ V}$  to  $5.5\text{ V}$ ,  $DVDD = 2.7\text{ V}$  to  $5.5\text{ V}$ ,  $I_{OUTFS} = 10\text{ mA}$ , unless otherwise noted.)

Parameter	Min	Typ	Max	Unit
MAXIMUM INPUT CLOCK RATE ( $f_{CLOCK}$ )	40			MSPS
<b>DIGITAL FILTER CHARACTERISTICS</b>				
Pass Bandwidth <sup>1</sup> : 0.005 dB		0.2010		$f_{OUT}/f_{CLOCK}$
Pass Bandwidth: 0.01 dB		0.2025		$f_{OUT}/f_{CLOCK}$
Pass Bandwidth: 0.1 dB		0.2105		$f_{OUT}/f_{CLOCK}$
Pass Bandwidth: -3 dB		0.239		$f_{OUT}/f_{CLOCK}$
Linear Phase (FIR Implementation)				
Stop-Band Rejection: $0.3 f_{CLOCK}$ to $0.7 f_{CLOCK}$		-62.5		dB
Group Delay <sup>2</sup>		32		Input Clock Cycles
Impulse Response Duration <sup>3</sup>				
-40 dB		28		Input Clock Cycles
-60 dB		40		Input Clock Cycles

### NOTES

<sup>1</sup>Excludes  $SINx/x$  characteristic of DAC.

<sup>2</sup>Defined as the number of data clock cycles between impulse input and peak of output response.

<sup>3</sup>55 input clock periods from input to I DAC, 56 to Q DAC. Propagation delay is delay from data input to DAC update.

Specifications subject to change without notice.

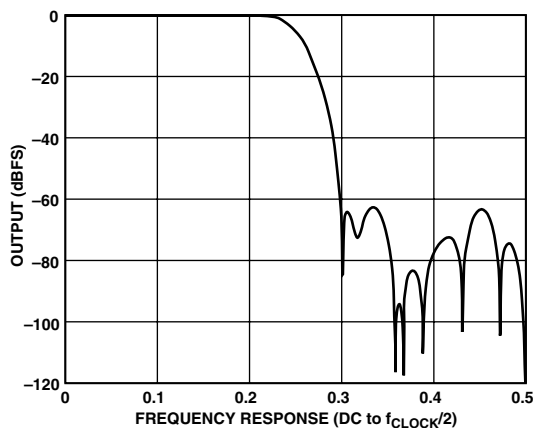


Figure 2a. FIR Filter Frequency Response

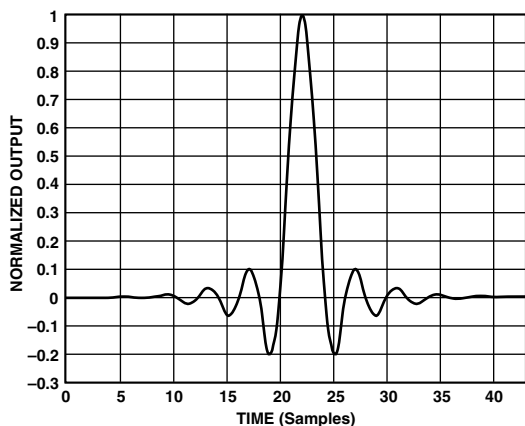


Figure 2b. FIR Filter Impulse Response

Table I. Integer Filter Coefficients for 43-Tap Half-Band FIR Filter

Lower Coefficient	Upper Coefficient	Integer Value
H(1)	H(43)	1
H(2)	H(42)	0
H(3)	H(41)	-3
H(4)	H(40)	0
H(5)	H(39)	8
H(6)	H(38)	0
H(7)	H(37)	-16
H(8)	H(36)	0
H(9)	H(35)	29
H(10)	H(34)	0
H(11)	H(33)	-50
H(12)	H(32)	0
H(13)	H(31)	81
H(14)	H(30)	0
H(15)	H(29)	-131
H(16)	H(28)	0
H(17)	H(27)	216
H(18)	H(26)	0
H(19)	H(25)	-400
H(20)	H(24)	0
H(21)	H(23)	1264
H(22)		1998

## ORDERING GUIDE

Model	Package Description	Package Option
AD9761ARS	28-Lead Shrink Small Outline (SSOP)	RS-28
AD9761ARSRL	28-Lead Shrink Small Outline (SSOP)	RS-28
AD9761-EB	Evaluation Board	

## THERMAL CHARACTERISTICS

### Thermal Resistance

28-Lead SSOP  
 $\theta_{JA} = 109^{\circ}\text{C}/\text{W}$

## ABSOLUTE MAXIMUM RATINGS\*

Parameter	With Respect to	Min	Max	Unit
AVDD	ACOM	-0.3	+6.5	V
DVDD	DCOM	-0.3	+6.5	V
ACOM	DCOM	-0.3	+0.3	V
AVDD	DVDD	-6.5	+6.5	V
CLOCK, WRITE	DCOM	-0.3	DVDD + 0.3	V
SELECT, SLEEP	DCOM	-0.3	DVDD + 0.3	V
Digital Inputs	DCOM	-0.3	DVDD + 0.3	V
IOUTA, IOUTB	ACOM	-1.0	AVDD + 0.3	V
QOUTA, QOUTB	ACOM	-1.0	AVDD + 0.3	V
COMP1, COMP2	ACOM	-0.3	AVDD + 0.3	V
COMP3	ACOM	-0.3	AVDD + 0.3	V
REFIO, FSADJ	ACOM	-0.3	AVDD + 0.3	V
REFLO	ACOM	-0.3	+0.3	V
Junction Temperature			150	$^{\circ}\text{C}$
Storage Temperature		-65	+150	$^{\circ}\text{C}$
Lead Temperature (10 sec)			300	$^{\circ}\text{C}$

\*Stresses above those listed under Absolute Maximum Ratings may cause permanent damage to the device. This is a stress rating only; functional operation of the device at these or any other conditions above those indicated in the operational sections of this specification is not implied. Exposure to absolute maximum ratings for extended periods may affect device reliability.

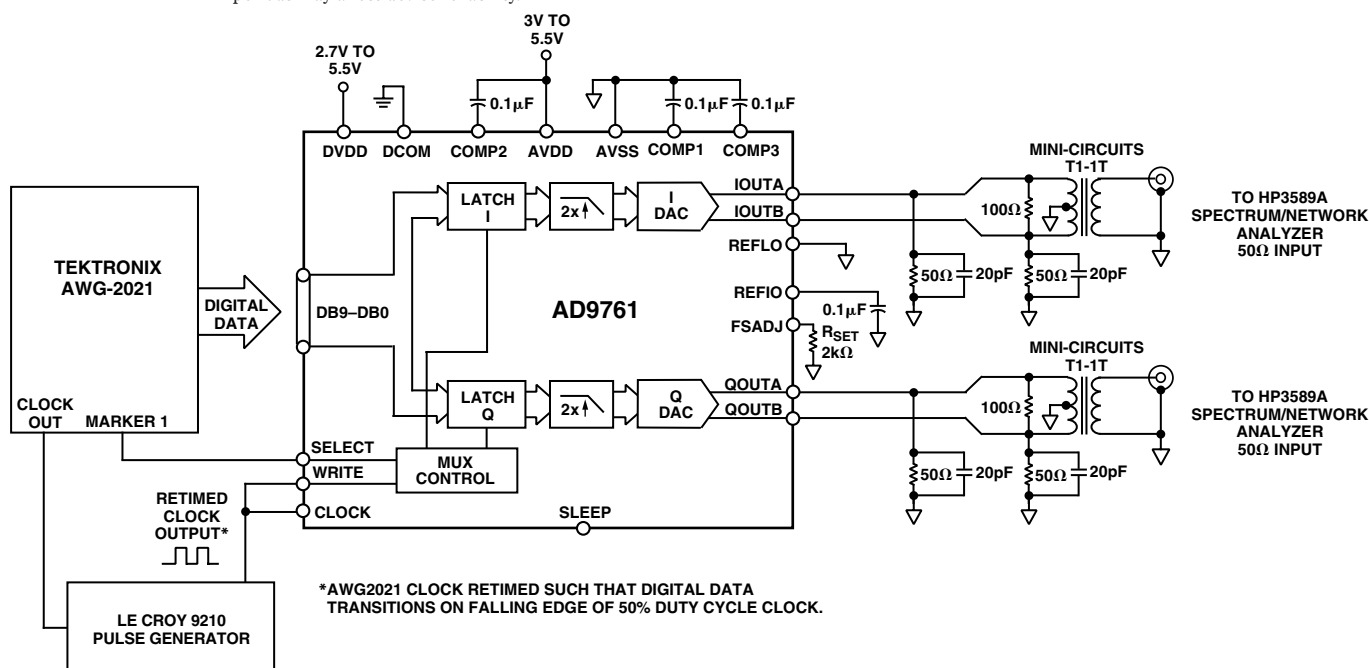


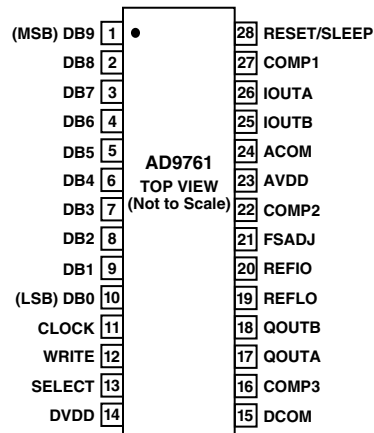
Figure 3. Basic AC Characterization Test Setup

### CAUTION

ESD (electrostatic discharge) sensitive device. Electrostatic charges as high as 4000 V readily accumulate on the human body and test equipment and can discharge without detection. Although the AD9761 features proprietary ESD protection circuitry, permanent damage may occur on devices subjected to high energy electrostatic discharges. Therefore, proper ESD precautions are recommended to avoid performance degradation or loss of functionality.



## PIN CONFIGURATION



## PIN FUNCTION DESCRIPTIONS

Pin No.	Mnemonic	Description
1	DB9	Most Significant Data Bit (MSB).
2–9	DB8–DB1	Data Bits 1–8.
10	DB0	Least Significant Data Bit (LSB).
11	CLOCK	Clock Input. Both DACs' outputs updated on positive edge of clock and digital filters read respective input registers.
12	WRITE	Write Input. DAC input registers latched on positive edge of write.
13	SELECT	Select Input. Select high routes input data to I DAC; select low routes data to Q DAC.
14	DVDD	Digital Supply Voltage (2.7 V to 5.5 V).
15	DCOM	Digital Common.
16	COMP3	Internal Bias Node for Switch Driver Circuitry. Decouple to ACOM with 0.1 $\mu$ F capacitor.
17	QOUTA	Q DAC Current Output. Full-scale current when all data bits are 1s.
18	QOUTB	Q DAC Complementary Current Output. Full-scale current when all data bits are 0s.
19	REFLO	Reference Ground when Internal 1.2 V Reference Used. Connect to AVDD to disable internal reference.
20	REFIO	Reference Input/Output. Serves as reference input when internal reference disabled. Serves as 1.2 V reference output when internal reference activated. Requires 0.1 $\mu$ F capacitor to ACOM when internal reference activated.
21	FSADJ	Full-Scale Current Output Adjust. Resistance to ACOM sets full-scale output current.
22	COMP2	Bandwidth/Noise Reduction Node. Add 0.1 $\mu$ F to AVDD for optimum performance.
23	AVDD	Analog Supply Voltage (3 V to 5.5 V).
24	ACOM	Analog Common.
25	IOUTB	I DAC Complementary Current Output. Full-scale current when all data bits are 0s.
26	IOUTA	I DAC Current Output. Full-scale current when all data bits are 1s.
27	COMP1	Internal Bias Node for Switch Driver Circuitry. Decouple to AGND with 0.1 $\mu$ F capacitor.
28	RESET/SLEEP	Power-Down Control Input if Asserted for Four Clock Cycles or Longer. Reset control input if asserted for less than four clock cycles. Active high. Connect to DCOM if not used. Refer to RESET/ SLEEP Mode Operation section.

## DEFINITIONS OF SPECIFICATIONS

### Linearity Error

#### (Also Called Integral Nonlinearity or INL)

Linearity error is defined as the maximum deviation of the actual analog output from the ideal output, determined by a straight line drawn from zero to full scale.

### Differential Nonlinearity (DNL)

DNL is the measure of the variation in analog value, normalized to full scale, associated with a 1 LSB change in digital input code.

### Monotonicity

A D/A converter is monotonic if the output either increases or remains constant as the digital input increases.

### Offset Error

The deviation of the output current from the ideal of zero is called offset error. For IOUTA, 0 mA output is expected when the inputs are all 0s. For IOUTB, 0 mA output is expected when all inputs are set to 1s.

### Gain Error

The difference between the actual and ideal output span. The actual span is determined by the output when all inputs are set to 1s minus the output when all inputs are set to 0s.

### Output Compliance Range

The range of allowable voltage at the output of a current-output DAC. Operation beyond the maximum compliance limits may cause either output stage saturation or breakdown, resulting in nonlinear performance.

### Temperature Drift

Temperature drift is specified as the maximum change from the ambient (25°C) value to the value at either  $T_{MIN}$  or  $T_{MAX}$ . For offset and gain drift, the drift is reported in ppm of full-scale range (FSR) per °C. For reference drift, the drift is reported in ppm per °C.

### Power Supply Rejection

The maximum change in the full-scale output as the supplies are varied from nominal to minimum and maximum specified voltages.

### Settling Time

The time required for the output to reach and remain within a specified error band about its final value, measured from the start of the output transition.

### Glitch Impulse

Asymmetrical switching times in a DAC give rise to undesired output transients that are quantified by a glitch impulse. It is specified as the net area of the glitch in pV-s.

### Channel Isolation

Channel Isolation is a measure of the level of crosstalk between channels. It is measured by producing a full-scale 8 MHz signal output for one channel and measuring the leakage into the other channel.

### Spurious-Free Dynamic Range

The difference, in dB, between the rms amplitude of the output signal and the peak spurious signal over the specified bandwidth.

### Total Harmonic Distortion

THD is the ratio of the sum of the rms value of the first six harmonic components to the rms value of the measured output signal. It is expressed as a percentage or in decibels (dB).

### Signal-to-Noise and Distortion (S/N+D, SINAD) Ratio

S/N+D is the ratio of the rms value of the measured output signal to the rms sum of all other spectral components below the Nyquist frequency, including harmonics but excluding dc. The value for S/N+D is expressed in decibels.

### Effective Number of Bits (ENOB)

For a sine wave, SINAD can be expressed in terms of the number of bits. Using the following formula,

$$N = (SINAD - 1.76)/6.02$$

it is possible to get a measure of performance expressed as  $N$ , the effective number of bits.

Thus, effective number of bits for a device for sine wave inputs at a given input frequency can be calculated directly from its measured SINAD.

### Pass Band

Frequency band in which any input applied therein passes unattenuated to the DAC output.

### Stop-Band Rejection

The amount of attenuation of a frequency outside the pass band applied to the DAC, relative to a full-scale signal applied at the DAC input within the pass band.

### Group Delay

Number of input clocks between an impulse applied at the device input and peak DAC output current.

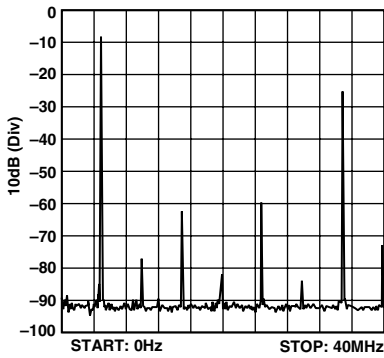
### Impulse Response

Response of the device to an impulse applied to the input.

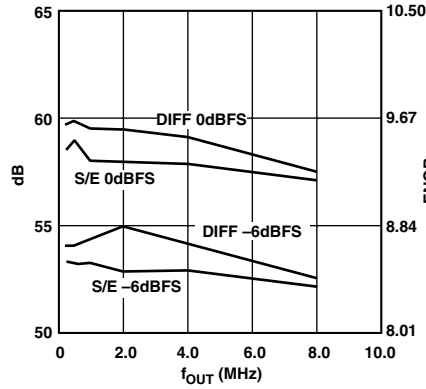
# AD9761—Typical Performance Characteristics

## Typical AC Characterization Curves @ 5 V Supplies

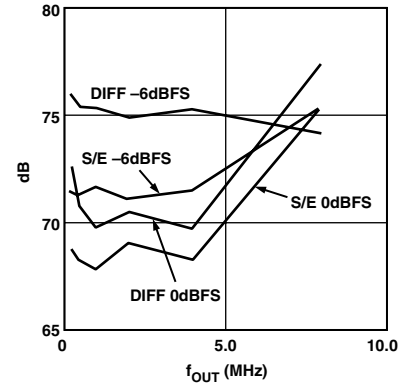
(AVDD = 5 V, DVDD = 5 V, 50 Ω Doubly Terminated Load,  $T_A = 25^\circ\text{C}$ ,  $f_{\text{CLOCK}} = 40 \text{ MSPS}$ , unless otherwise noted, worst of I or Q output performance shown.)



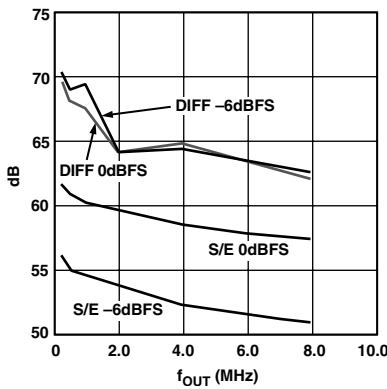
TPC 1. Single-Tone SFDR (DC to  $2 f_{\text{DATA}}$ ,  $f_{\text{CLOCK}} = 2 f_{\text{DATA}}$ )



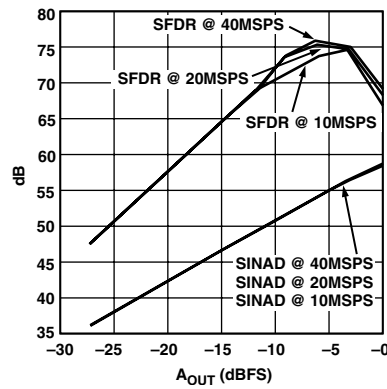
TPC 2. SINAD (ENOBs) vs.  $f_{\text{OUT}}$  (DC to  $f_{\text{DATA}}/2$ )



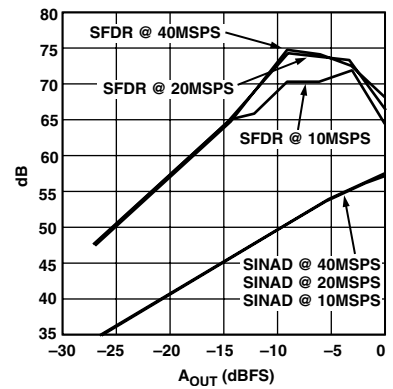
TPC 3. SFDR vs.  $f_{\text{OUT}}$  (DC to  $f_{\text{DATA}}/2$ )



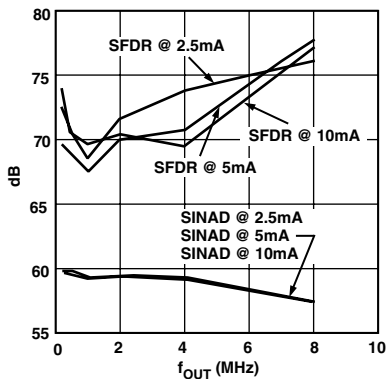
TPC 4. Out-of-Band SFDR vs.  $f_{\text{OUT}}$  ( $f_{\text{DATA}}/2$  to  $3/2 f_{\text{DATA}}$ )



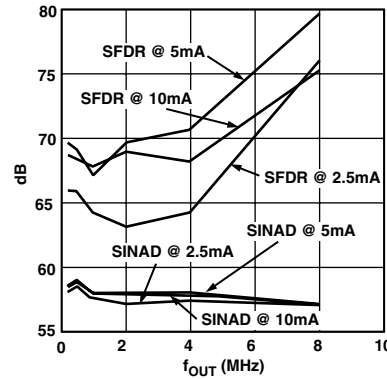
TPC 5. SINAD vs.  $A_{\text{OUT}}$  (DC to  $f_{\text{DATA}}/2$ , Differential Output)



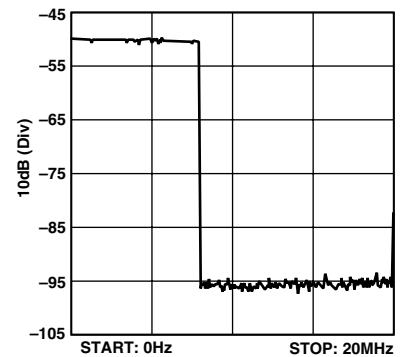
TPC 6. SINAD vs.  $A_{\text{OUT}}$  (DC to  $f_{\text{DATA}}/2$ , Single-Ended Output)



TPC 7. SINAD/SFDR vs.  $I_{\text{OUTFS}}$  (DC to  $f_{\text{DATA}}/2$ , Differential Output)



TPC 8. SINAD/SFDR vs.  $I_{\text{OUTFS}}$  (DC to  $f_{\text{DATA}}/2$ , Single-Ended Output)

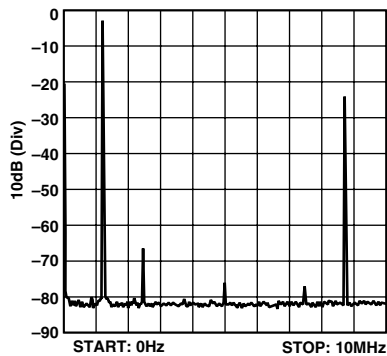


TPC 9. Wideband Spread-Spectrum Spectral Plot (DC to  $f_{\text{DATA}}$ )

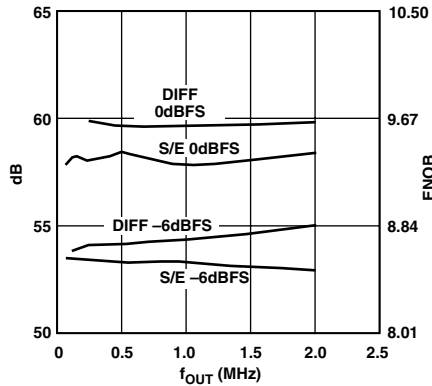


# Typical AC Characterization Curves @ 3 V Supplies

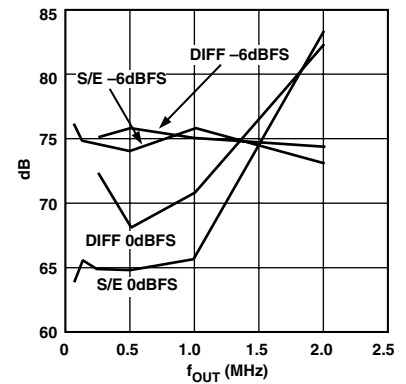
(AVDD = 3 V, DVDD = 3 V, 50 Ω Doubly Terminated Load, T<sub>A</sub> = 25°C, f<sub>CLOCK</sub> = 10 MSPS, unless otherwise noted, worst of I or Q output performance shown.)



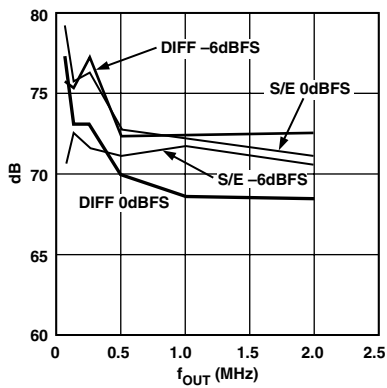
TPC 10. Single-Tone SFDR (DC to 2 f<sub>DATA</sub>, f<sub>CLOCK</sub> = 2 f<sub>DATA</sub>)



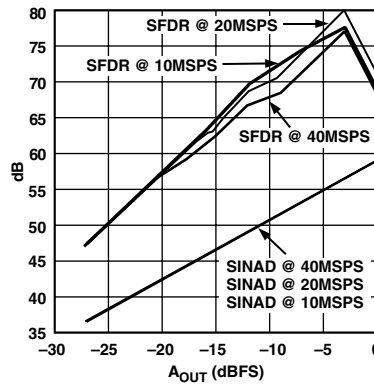
TPC 11. SINAD (ENOBs) vs. f<sub>OUT</sub> (DC to f<sub>DATA</sub>/2)



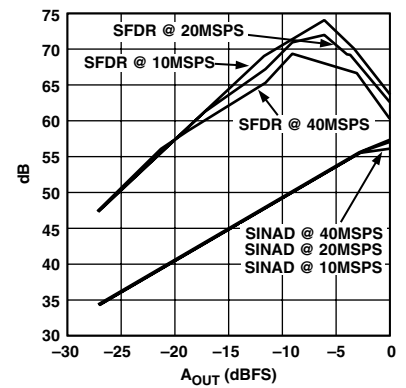
TPC 12. SFDR vs. f<sub>OUT</sub> (DC to f<sub>DATA</sub>/2)



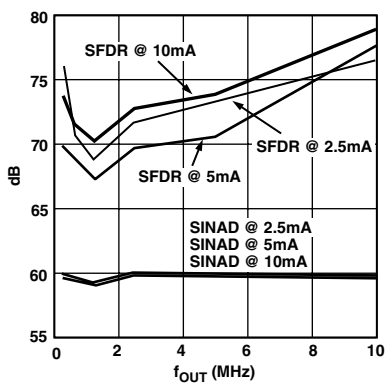
TPC 13. Out-of-Band SFDR vs. f<sub>OUT</sub> (f<sub>DATA</sub>/2 to 3/2 f<sub>DATA</sub>)



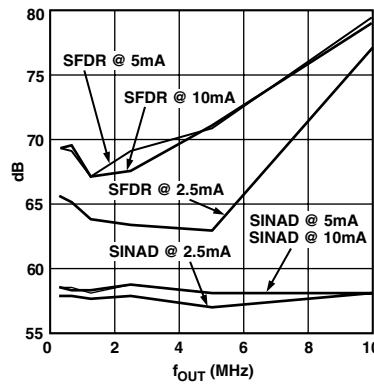
TPC 14. SINAD vs. A<sub>OUT</sub> (DC to f<sub>DATA</sub>/2, Differential Output)



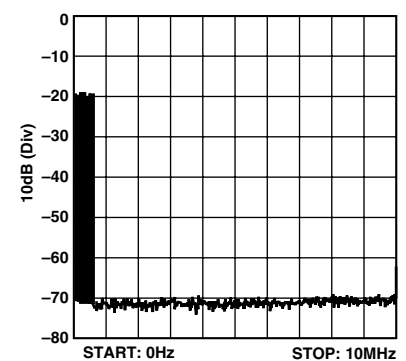
TPC 15. SINAD vs. A<sub>OUT</sub> (DC to f<sub>DATA</sub>/2, Single-Ended Output)



TPC 16. SINAD/SFDR vs. I<sub>OUTFS</sub> (DC to f<sub>DATA</sub>/2, Differential Output)



TPC 17. SINAD/SFDR vs. I<sub>OUTFS</sub> (DC to f<sub>DATA</sub>/2, Single-Ended Output)



TPC 18. Narrow-Band Spread-Spectrum Spectral Plot (DC to f<sub>DATA</sub>)

# AD9761

## FUNCTIONAL DESCRIPTION

Figure 4 shows a simplified block diagram of the AD9761. The AD9761 is a complete dual-channel, high speed, 10-bit CMOS DAC capable of operating up to a 40 MHz clock rate. It has been optimized for the transmit section of wideband communication systems employing I and Q modulation schemes. Excellent matching characteristics between channels reduce the need for any external calibration circuitry. Dual matching  $2\times$  interpolation filters included in the I and Q data path simplify any post band-limiting filter requirements. The AD9761 interfaces with a single 10-bit digital input bus that supports interleaved I and Q input data.

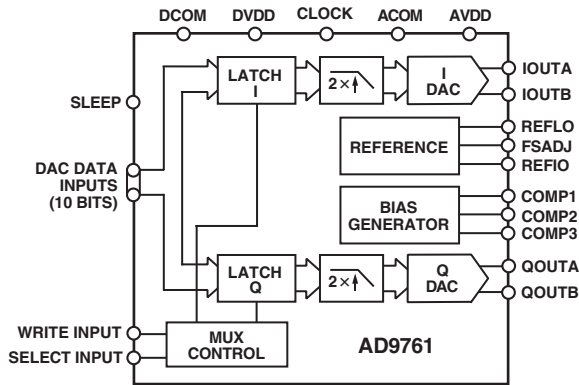


Figure 4. Dual DAC Functional Block Diagram

Referring to Figure 4, the AD9761 consists of an analog section and a digital section. The analog section includes matched I and Q 10-bit DACs, a 1.20 V band gap voltage reference, and a reference control amplifier. The digital section includes two  $2\times$  interpolation filters, segment decoding logic, and some additional digital input interface circuitry. The analog and digital sections of the AD9761 have separate power supply inputs (i.e., AVDD and DVDD) that can operate independently. The digital supply can operate over a 2.7 V to 5.5 V range, allowing it to accommodate TTL as well as 3.3 V and 5 V CMOS logic families. The analog supply must be restricted from 3.0 V to 5.5 V to maintain optimum performance.

Each DAC consists of a large PMOS current source array capable of providing up to 10 mA of full-scale current,  $I_{OUTFS}$ . Each array is divided into 15 equal currents that make up the four most significant bits (MSBs). The next four bits or middle bits consist of 15 equal current sources whose values are  $1/16$  of an MSB current source. The remaining LSBs are binary weighted fractions of the middle bits' current sources. All of these current sources are switched to one of two output nodes (i.e., IOUTA or IOUTB) via PMOS differential current switches.

The full-scale output current,  $I_{OUTFS}$ , of each DAC is regulated from the same voltage reference and control amplifier, thus ensuring excellent gain matching and drift characteristics between DACs.  $I_{OUTFS}$  can be set from 1 mA to 10 mA via an external resistor,  $R_{SET}$ . The external resistor in combination with both the reference control amplifier and voltage reference,  $V_{REFIO}$ , sets the reference current,  $I_{REF}$ , which is mirrored over to the segmented current sources with the proper scaling factor.  $I_{OUTFS}$  is exactly 16 times the value of  $I_{REF}$ .

The I and Q DACs are simultaneously updated on the rising edge of CLOCK with digital data from their respective  $2\times$  digital interpolation filters. The  $2\times$  interpolation filters essentially multiply the input data rate of each DAC by a factor of 2, relative to its original input data rate, while simultaneously reducing the magnitude of the first image associated with the DAC's original input data rate. Since the AD9761 supports a single 10-bit digital bus with interleaved I and Q input data, the original I and Q input data rate before interpolation is one-half the CLOCK rate. After interpolation, the data rate into each I and Q DAC becomes equal to the CLOCK rate.

The benefits of an interpolation filter are illustrated in Figure 5, which shows an example of the frequency and time domain representation of a discrete time sine wave signal before and after it is applied to a digital interpolation filter. Images of the sine wave signal appear around multiples of the DAC's input data rate as predicted by the sampling theory. These undesirable images will also appear at the output of a reconstruction DAC, although modified by the DAC's  $\sin(x)/x$  response. In many band-limited applications, these images must be suppressed by an analog filter following the DAC. The complexity of this ana-

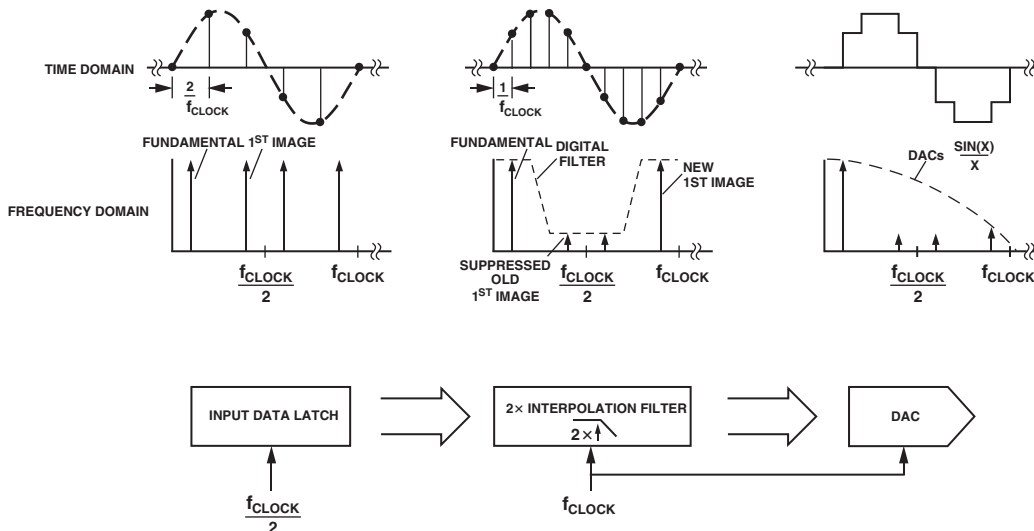


Figure 5. Time and Frequency Domain Example of Digital Interpolation Filter



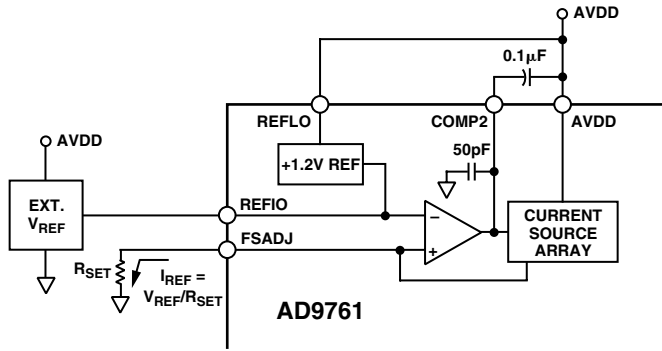


Figure 7. External Reference Configuration

### REFERENCE CONTROL AMPLIFIER

The AD9761 also contains an internal control amplifier that is used to simultaneously regulate both DACs' full-scale output current,  $I_{OUTFS}$ . Since the I and Q  $I_{OUTFS}$  are derived from the same voltage reference and control circuitry, excellent gain matching is ensured. The control amplifier is configured as a V-I converter as shown in Figure 7 such that its current output,  $I_{REF}$ , is determined by the ratio of the  $V_{REFIO}$  and an external resistor,  $R_{SET}$ , as stated in Equation 4.  $I_{REF}$  is copied over to the segmented current sources with the proper scaling factor to set  $I_{OUTFS}$  as stated in Equation 3.

The control amplifier allows a wide (10:1) adjustment span of  $I_{OUTFS}$  over a 1 mA to 10 mA range by setting  $I_{REF}$  between 62.5  $\mu$ A and 625  $\mu$ A. The wide adjustment span of  $I_{OUTFS}$  provides several application benefits. The first benefit relates directly to the power dissipation of the AD9761's analog supply, AVDD, which is proportional to  $I_{OUTFS}$  (refer to the Power Dissipation section). The second benefit relates to the 20 dB adjustment span, which may be useful for system gain control purposes.

Optimum noise and dynamic performance for the AD9761 is obtained with a 0.1  $\mu$ F external capacitor installed between COMP2 and AVDD. The bandwidth of the reference control amplifier is limited to approximately 5 kHz with a 0.1  $\mu$ F capacitor installed. Since the -3 dB bandwidth corresponds to the dominant pole and therefore its dominant time constant, the settling time of the control amplifier to a stepped reference input response can be easily determined. Note that the output of the control amplifier, COMP2, is internally compensated via a 50 pF capacitor, thus ensuring its stability if no external capacitor is added.

Depending on the requirements of the application,  $I_{REF}$  can be adjusted by varying either  $R_{SET}$ , or, in the external reference mode, by varying the REFIO voltage.  $I_{REF}$  can be varied for a fixed  $R_{SET}$  by disabling the internal reference and varying the voltage of REFIO over its compliance range of 1.25 V to 0.10 V. REFIO can be driven by a single-supply amplifier or DAC, thus allowing  $I_{REF}$  to be varied for a fixed  $R_{SET}$ . Since the input impedance of REFIO is approximately 1 M $\Omega$ , a simple, low cost R-2R ladder DAC configured in the voltage mode topology may be used to control the gain. This circuit is shown in Figure 8 using the AD7524 and an external 1.2 V reference, the AD1580.

### ANALOG OUTPUTS

As previously stated, both the I and Q DACs produce two complementary current outputs that may be configured for single-ended or differential operation.  $I_{IOUTA}$  and  $I_{IOUTB}$  can be converted into complementary single-ended voltage outputs,  $V_{IOUTA}$  and  $V_{IOUTB}$ , via a load resistor,  $R_{LOAD}$ , as described in the DAC Transfer Function section by Equations 5 through 8. The differential voltage,  $V_{IDIFF}$ , existing between  $V_{IOUTA}$  and  $V_{IOUTB}$ , can also be converted to a single-ended voltage via a transformer or differential amplifier configuration.

Figure 9 shows an equivalent circuit of the AD9761's I (or Q) DAC output. It consists of a parallel array of PMOS current sources in which each current source is switched to either  $I_{OUTA}$  or  $I_{OUTB}$  via a differential PMOS switch. As a result, the equivalent output impedance of  $I_{OUTA}$  and  $I_{OUTB}$  remains quite high (i.e., >100 k $\Omega$  and 5 pF).

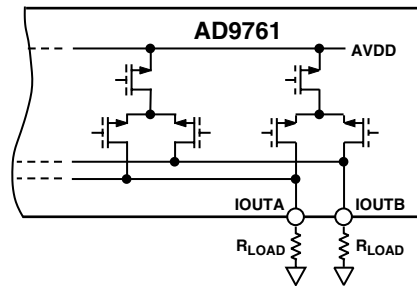


Figure 9. Equivalent Circuit of the AD9761 DAC Output

$I_{OUTA}$  and  $I_{OUTB}$  have a negative and positive voltage compliance range that must be adhered to achieve optimum performance. The negative output compliance range of -1 V is set by the breakdown limits of the CMOS process. Operation beyond this maximum limit may result in a breakdown of the output stage.

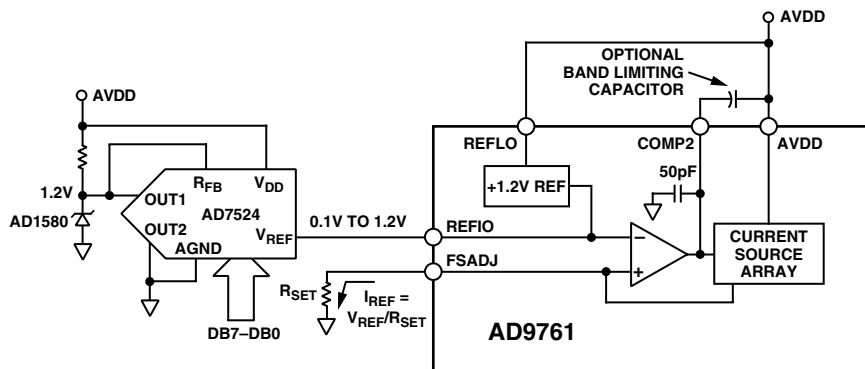


Figure 8. Single-Supply Gain Control Circuit

The positive output compliance range is slightly dependent on the full-scale output current,  $I_{OUTFS}$ . It degrades slightly from its nominal 1.25 V for an  $I_{OUTFS} = 10$  mA to 1.00 V for an  $I_{OUTFS} = 2$  mA. Applications requiring the AD9761's output (i.e.,  $V_{OUTA}$  and/or  $V_{OUTB}$ ) to extend to its output compliance range should size  $R_{LOAD}$  accordingly. Operation beyond this compliance range will adversely affect the AD9761's linearity performance and subsequently degrade its distortion performance. Note that the optimum distortion performance of the AD9761 is obtained by restricting its output(s) as seen at  $I_{OUT}(A/B)$  and  $Q_{OUT}(A/B)$  to within  $\pm 0.5$  V.

### DIGITAL INPUTS AND INTERLEAVED INTERFACE CONSIDERATIONS

The AD9761 digital interface consists of 10 data input pins, a clock input pin, and three control pins. It is designed to support a clock rate up to 40 MSPS. The 10-bit parallel data inputs follow standard positive binary coding, where DB9 is the most significant bit (MSB) and DB0 is the least significant bit (LSB).  $I_{OUTA}$  (or  $Q_{OUTA}$ ) produces a full-scale output current when all data bits are at Logic 1.  $I_{OUTB}$  (or  $Q_{OUTB}$ ) produces a complementary output, with the full-scale current split between the two outputs as a function of the input code.

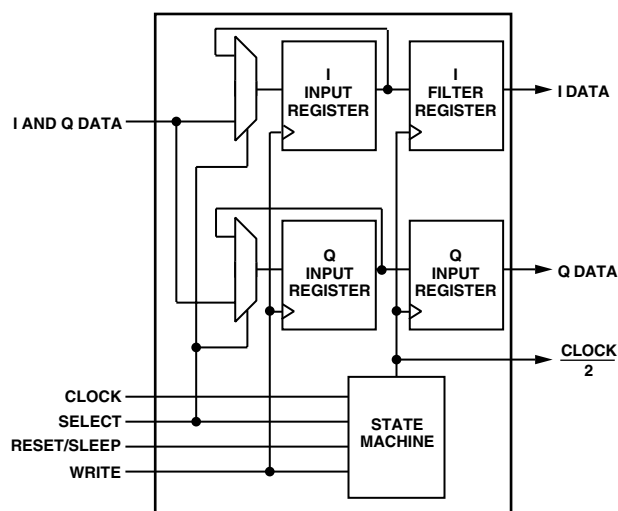


Figure 10. Block Diagram of Digital Interface

The AD9761 interfaces with a single 10-bit digital input bus that supports interleaved I and Q input data. Figure 10 shows a simplified block diagram of the digital interface circuitry consisting of two banks of edge triggered registers, two multiplexers, and a state machine. Interleaved I and Q input data is presented at the DATA input bus, where it is then latched into the selected I or Q input register on the rising edge of the WRITE input. The output of these input registers is transferred in pairs to their respective interpolator filters' register after each Q write on the rising edge of the CLOCK input (refer to Timing Diagram in Figure 1). A state machine ensures the proper pairing of I and Q input data to the interpolation filter's inputs.

The SELECT signal at the time of the rising edge of the WRITE signal determines which input register latches the input data. If SELECT is high around the rising edge of WRITE, the data is latched into the I register of

the AD9761. If SELECT is low around the rising edge of WRITE, the data is latched into the Q register of the AD9761. If SELECT is kept in one state while data is repeatedly writing to the AD9761, the data will be written into the selected filter register at half the input data rate since the data is always assumed to be interleaved.

The state machine controls the generation of the divided clock and thus pairing of I and Q data inputs. After the AD9761 is reset, the state machine keeps track of the paired I and Q data. The state transition diagram is shown in Figure 11, in which all states are defined. A transition in state occurs upon the rising edge of CLOCK and is a function of the current state as well as status of SELECT, WRITE, and SLEEP. The state machine is reset on the first rising CLOCK edge while RESET remains high. Upon RESET returning low, a state transition will occur on the first rising edge of CLOCK. The most recent I and Q data samples are transferred to the correct interpolation filter only upon entering state FILTER DATA.

Note that it is possible to ensure proper pairing of I and Q data inputs without issuing RESET high. This may be accomplished by writing two or more successive Q data inputs followed by a clock. In this case, the state machine will advance to either the RESET or FILTER DATA state. The state machine will advance to the ONE-I state upon writing I data followed by a clock.

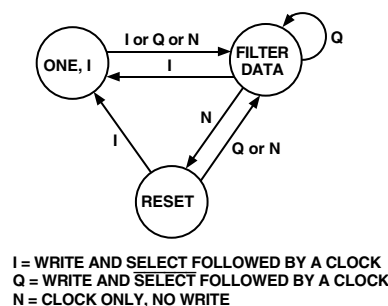


Figure 11. State Transition Diagram of AD9761 Digital Interface

An example helps illustrate the digital timing and control requirements to ensure proper pairing of I and Q data. In this example, the AD9761 is assumed to interface with a host processor on a dedicated data bus and the state machine is reset by asserting a Logic Level 1 to the RESET/SLEEP input for a duration of one clock cycle. In the timing diagram shown in Figure 12, WRITE and CLOCK are tied together while SELECT is updated at the same instance as DATA. Since SELECT is high upon RESET returning low, I data is latched into the I input register on the first rising WRITE. On the next rising WRITE edge, the Q data is latched into its input register and the outputs of both input registers are latched into their respective I and Q filter registers. The sequence of events is repeated on the next rising WRITE edge with the new I data being latched into the I input register.

The digital inputs are CMOS compatible with logic thresholds,  $V_{THRESHOLD}$ , set to approximately half the digital positive supply ( $DVDD$ ) or  $V_{THRESHOLD} = DVDD/2$  ( $\pm 20\%$ ).

The internal digital circuitry of the AD9761 is capable of operating over a digital supply range of 2.7 V to 5.5 V. As a

# AD9761

result, the digital inputs can also accommodate TTL levels when DVDD is set to accommodate the maximum high level voltage,  $V_{OH(MAX)}$ , of the TTL drivers. A DVDD of 3 V to 3.3 V will typically ensure proper compatibility of most TTL logic families. Figure 13 shows the equivalent digital input circuit for the data, sleep, and clock inputs.

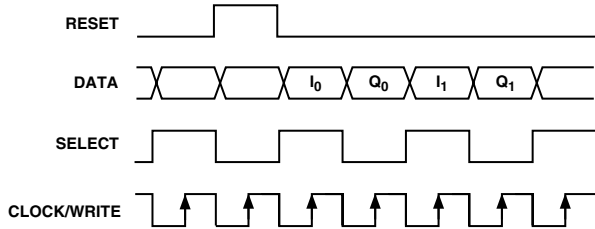


Figure 12. Timing Diagram

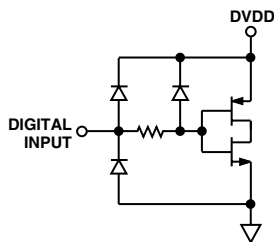


Figure 13. Equivalent Digital Input

Since the AD9761 is capable of being updated up to 40 MSPS, the quality of the clock and data input signals are important in achieving the optimum performance. The drivers of the digital data interface circuitry should be specified to meet the minimum setup and hold times of the AD9761 as well as its required min/max input logic level thresholds. The external clock driver circuitry should provide the AD9761 with a low jitter clock input meeting the min/max logic levels while providing fast edges. Fast clock edges will help minimize any jitter that can manifest itself as phase noise on a reconstructed waveform.

Digital signal paths should be kept short, and run lengths matched to avoid propagation delay mismatch. The insertion of a low value resistor network (i.e., 20  $\Omega$  to 100  $\Omega$ ) between the AD9761 digital inputs and driver outputs may be helpful in reducing any overshooting and ringing at the digital inputs, which contributes to data feedthrough. Operating the AD9761 with reduced logic swings and a corresponding digital supply (DVDD) will also reduce data feedthrough.

## RESET/SLEEP MODE OPERATION

The RESET/SLEEP input can be used either to power down the AD9761 or reset its internal digital interface logic. If the RESET/SLEEP input is asserted for greater than one clock cycle but under four clock cycles by applying a Logic 1, the internal state machine will be reset. If the RESET/SLEEP input is asserted for four clock cycles or longer, the power-down function of the AD9761 will be initiated. The power-down function turns off the output current and reduces the supply current to less than 9 mA over the specified supply range of 3 V to 5.5 V and temperature range.

The power-up and power-down characteristics of the AD9761 are dependent upon the value of the compensation capacitor connected to COMP1 and COMP3. With a nominal value of 0.1  $\mu$ F, the AD9761 takes less than 5  $\mu$ s to power down and approximately 3.25 ms to power back up.

## POWER DISSIPATION

The power dissipation of the AD9761 is dependent on several factors, including

1. AVDD and DVDD, the power supply voltages.
2. IOUTFS, the full-scale current output.
3. fCLOCK, the update rate.
4. The reconstructed digital input waveform.

The power dissipation is directly proportional to the analog supply current,  $I_{AVDD}$ , and the digital supply current,  $I_{DVDD}$ .  $I_{AVDD}$  is directly proportional to  $I_{OUTFS}$ , as shown in Figure 14, and is insensitive to  $f_{CLOCK}$ .

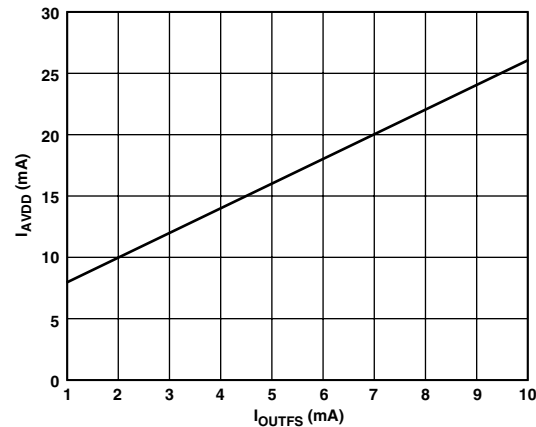


Figure 14.  $I_{AVDD}$  vs.  $I_{OUTFS}$

Conversely,  $I_{DVDD}$  is dependent on both the digital input waveform,  $f_{CLOCK}$ , and digital supply, DVDD. Figures 15 and 16 show  $I_{DVDD}$  as a function of a full-scale sine wave output ratio's ( $f_{OUT}/f_{CLK}$ ) for various update rates with DVDD = 5 V and DVDD = 3 V, respectively.

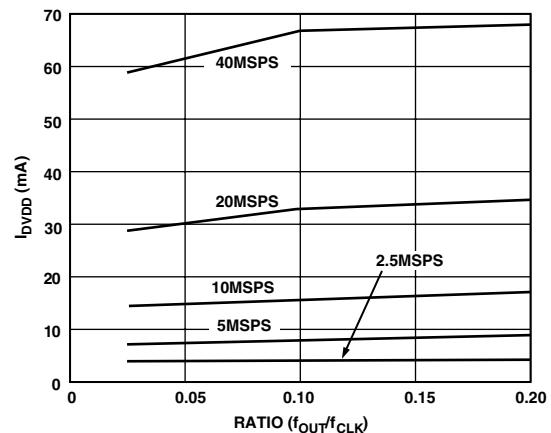


Figure 15.  $I_{DVDD}$  vs. Ratio @ DVDD = 5 V

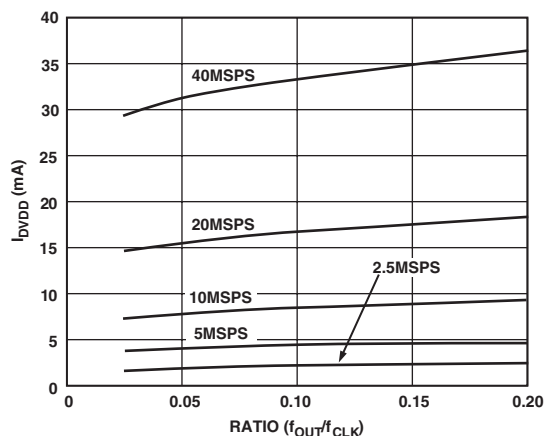


Figure 16.  $I_{DVDD}$  vs. Ratio @  $DVDD = 3V$

## APPLYING THE AD9761

### Output Configurations

The following sections illustrate some typical output configurations for the AD9761. Unless otherwise noted, it is assumed that  $I_{OUTFS}$  is set to a nominal 10 mA. For applications requiring the optimum dynamic performance, a differential output configuration is suggested. A differential output configuration may consist of either an RF transformer or a differential op amp configuration. The transformer configuration provides the optimum high frequency performance and is recommended for any application allowing for ac coupling. The differential op amp configuration is suitable for applications requiring dc coupling, a bipolar output, signal gain, and/or level shifting.

A single-ended output is suitable for applications requiring a unipolar voltage output. A positive unipolar output voltage will result if  $I_{OUTA}$  and/or  $I_{OUTB}$  is connected to an appropriately sized load resistor,  $R_{LOAD}$ , referred to ACOM. This configuration may be more suitable for a single-supply system requiring a dc-coupled, ground referred output voltage. Alternatively, an amplifier could be configured as an I-V converter, thus converting  $I_{OUTA}$  or  $I_{OUTB}$  into a negative unipolar voltage. This configuration provides the best dc linearity since  $I_{OUTA}$  or  $I_{OUTB}$  is maintained at a virtual ground.

### Differential Coupling Using a Transformer

An RF transformer can be used to perform a differential-to-single-ended signal conversion as shown in Figure 17. A differentially coupled transformer output provides the optimum distortion performance for output signals whose spectral content lies within the transformer's pass band. An RF transformer such as the Mini-Circuits T1-1T provides excellent rejection of common-mode distortion (i.e., even-order harmonics) and noise over a wide frequency range. It also provides electrical isolation and the ability to deliver twice the power to the load. Transformers with different impedance ratios may also be used for impedance matching purposes. Note that the transformer provides ac coupling only.

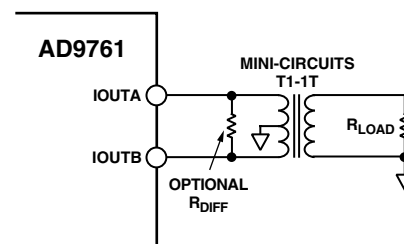


Figure 17. Differential Output Using a Transformer

The center tap on the primary side of the transformer must be connected to ACOM to provide the necessary dc current path for both  $I_{OUTA}$  and  $I_{OUTB}$ . The complementary voltages appearing at  $I_{OUTA}$  and  $I_{OUTB}$  (i.e.,  $V_{OUTA}$  and  $V_{OUTB}$ ) swing symmetrically around ACOM and should be maintained with the specified output compliance range of the AD9761. A differential resistor,  $R_{DIFF}$ , may be inserted in applications in which the output of the transformer is connected to the load,  $R_{LOAD}$ , via a passive reconstruction filter or cable requiring double termination.  $R_{DIFF}$  is determined by the transformer's impedance ratio and provides the proper source termination, which results in a low VSWR. Note that approximately half the signal power will be dissipated across  $R_{DIFF}$ .

### Differential Coupling Using an Op Amp

An op amp can also be used to perform a differential to single-ended conversion as shown in Figure 18. The AD9761 is configured with two equal load resistors,  $R_{LOAD}$ , of 50  $\Omega$ . The differential voltage developed across  $I_{OUTA}$  and  $I_{OUTB}$  is converted to a single-ended signal via the differential op amp configuration. An optional capacitor can be installed across  $I_{OUTA}$  and  $I_{OUTB}$  forming a real pole in a low-pass filter. The addition of this capacitor also enhances the op amp's distortion performance by preventing the DAC's high slewing output from overloading the op amp's input.

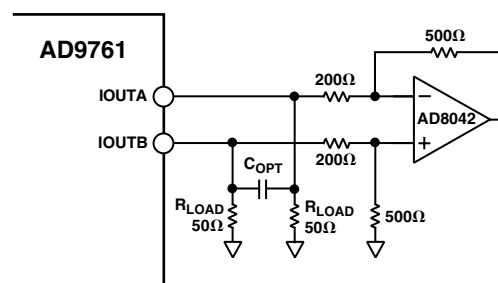


Figure 18. DC Differential Coupling Using an Op Amp

The common-mode rejection of this configuration is typically determined by the resistor matching. In this circuit, the differential op amp circuit using the AD8042 is configured to provide some additional signal gain. The op amp must operate from a dual supply since its output is approximately  $\pm 1.0V$ . A high speed amplifier capable of preserving the differential performance of the AD9761 while meeting other system level objectives (i.e., cost, power) should be selected. The op amp's differential gain, gain setting resistor values, and full-scale output swing capabilities should all be considered when optimizing this circuit.





Maintaining low noise on power supplies and ground is critical to obtaining optimum results from the AD9761. If properly implemented, ground planes can perform a host of functions on high speed circuit boards such as bypassing, shielding, current transport. In mixed signal design, the analog and digital portions of the board should be distinct from each other, with the analog ground plane confined to the areas covering the analog signal traces and the digital ground plane confined to areas covering the digital interconnects.

All analog ground pins of the DAC, reference, and other analog components should be tied directly to the analog ground plane. The two ground planes should be connected by a path 1/8 to 1/4 inch wide underneath, or within 1/2 inch of the DAC to maintain optimum performance. Care should be taken to ensure that the ground plane is uninterrupted over crucial signal paths. On the digital side, this includes the digital input lines running to the DAC as well as any clock signals. On the analog side, this includes the DAC output signal, reference signal, and the supply feeders.

The use of wide runs or planes in the routing of power lines is also recommended. This serves the dual role of providing a low series impedance power supply to the part, as well as providing some free capacitive decoupling to the appropriate ground plane. It is essential that care be taken in the layout of signal and power ground interconnects to avoid inducing extraneous voltage drops in the signal ground paths. It is recommended that all connections be short, direct, and as physically close to the package as possible in order to minimize the sharing of conduction paths between different currents. When runs exceed an inch in length, strip line techniques with a proper termination resistor should be considered. The necessity and value of this resistor will be dependent upon the logic family used.

For a more detailed discussion of the implementation and construction of high speed, mixed signal printed circuit boards, refer to Analog Devices' Application Notes AN-280 and AN-333.

## APPLICATIONS

### Using the AD9761 for QAM Modulation

QAM is one of the most widely used digital modulation schemes in digital communication systems. This modulation technique can be found in both FDM as well as spread spectrum (i.e., CDMA) based systems. A QAM signal is a carrier frequency that is modulated both in amplitude (i.e., AM modulation) and in phase (i.e., PM modulation). It can be generated by independently modulating two carriers of identical frequency but with a 90° phase difference. This results in an in-phase (I) carrier component and a quadrature (Q) carrier component at a 90° phase shift with respect to the I component. The I and Q components are then summed to provide a QAM signal at the specified carrier frequency.

A common and traditional implementation of a QAM modulator is shown in Figure 23. The modulation is performed in the analog domain in which two DACs are used to generate the baseband I and Q components, respectively. Each component is then typically applied to a Nyquist filter before being applied to a quadrature mixer. The matching Nyquist filter shapes and limits each component's spectral envelope while minimizing intersymbol interference. The DAC is typically updated at the QAM symbol rate or possibly a multiple of it if an interpolating filter precedes the DAC. The use of an interpolating filter typically eases the implementation and complexity of the analog filter, which can be a significant contributor to mismatches in gain and phase between the two baseband channels. A quadrature mixer modulates the I and Q components with in-phase and quadrature phase carrier frequency and then sums the two outputs to provide the QAM signal.

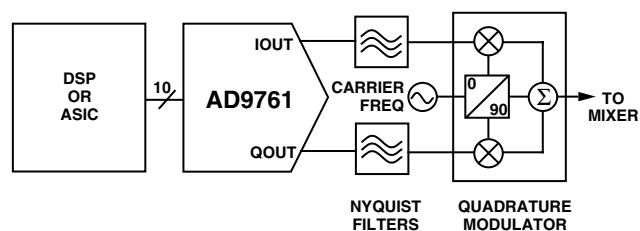


Figure 23. Typical Analog QAM Architecture

## EVALUATION BOARD

The AD9761-EB is an evaluation board for the AD9761 dual 10-bit, 40 MSPS DAC. Careful attention to layout and circuit design along with prototyping area allows the user to easily and effectively evaluate the AD9761. This board allows the user the flexibility to operate each of the AD9761 DACs in a single-ended or differential output configuration. Each of the DACs' single-ended outputs are terminated in a 50 Ω resistor. Evaluation using a transformer coupled output can be accomplished simply by installing a Mini-Circuits transformer (i.e., Model T2-1T) into the available socket.

The digital inputs are designed to be driven directly from various word generators with the on-board option to add a resistor network for proper load termination. Separate 50 Ω terminated SMA connectors are also provided for the CLOCK, WRITE, and SELECT inputs. Provisions are also made to operate the AD9761 with either the internal or an external reference as well as to exercise the power-down feature.

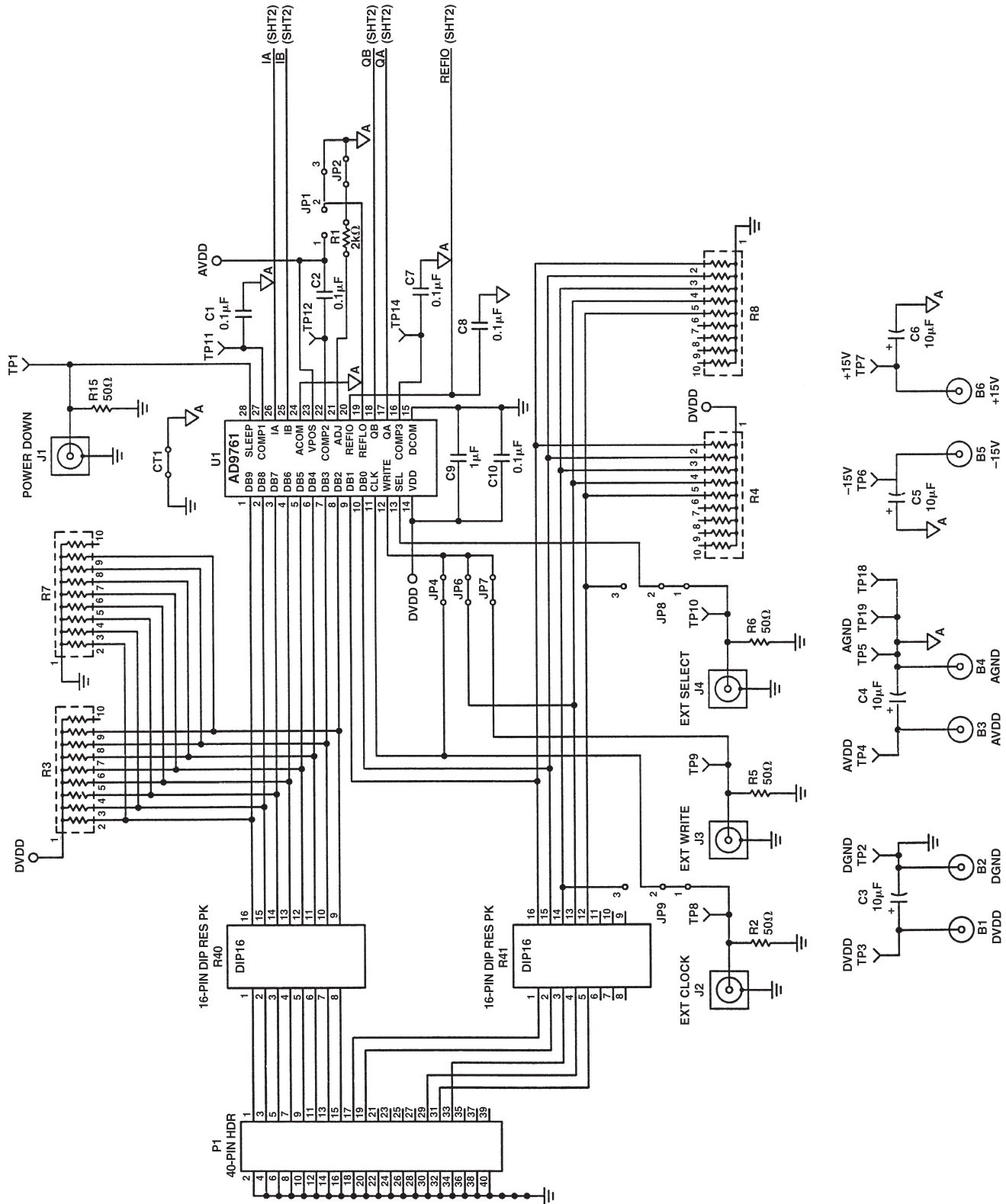


Figure 24a. Evaluation Board Schematic

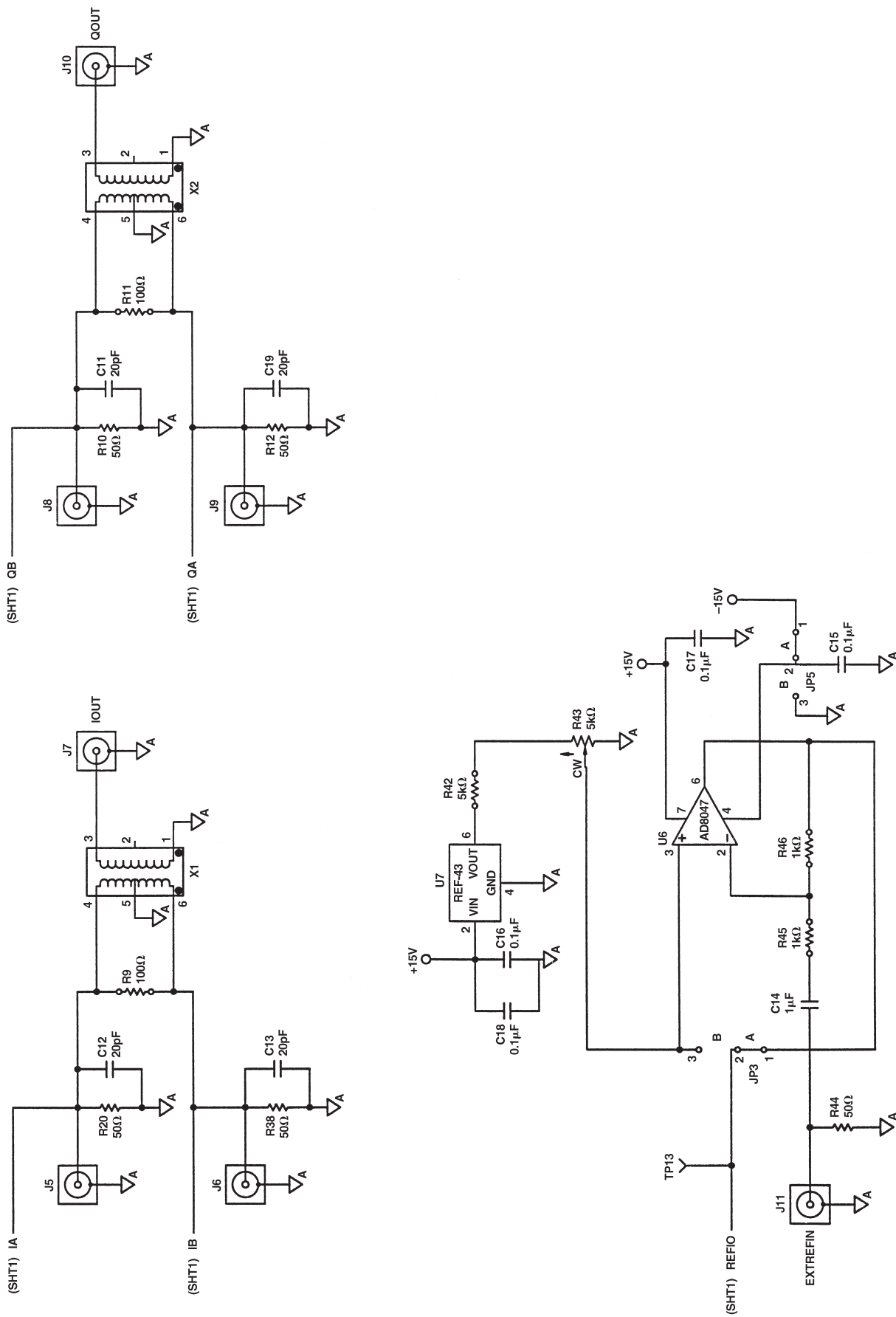


Figure 24b. Evaluation Board Schematic

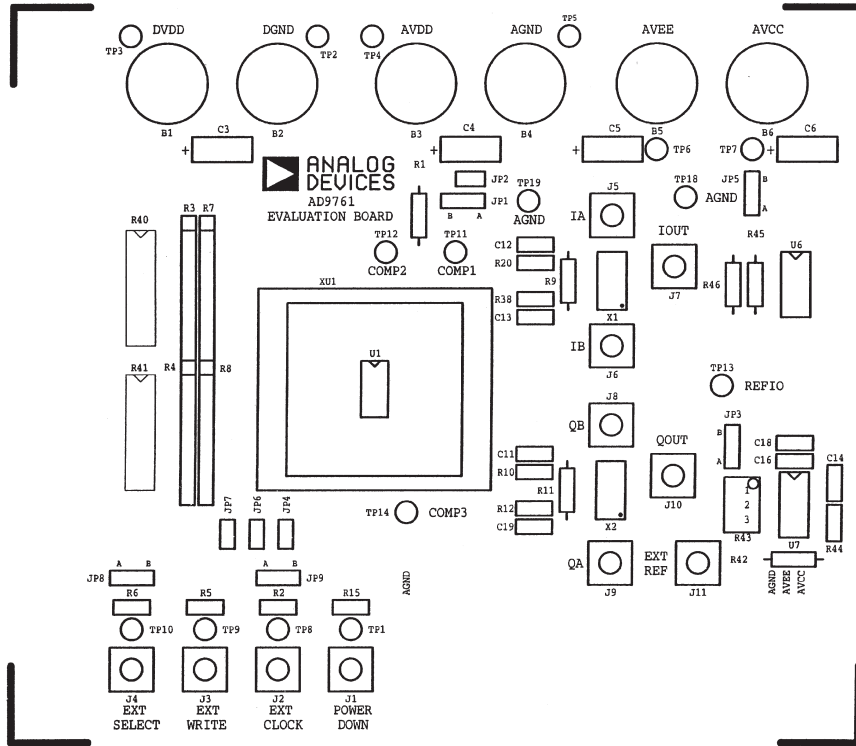


Figure 25. Silkscreen Layer—Top

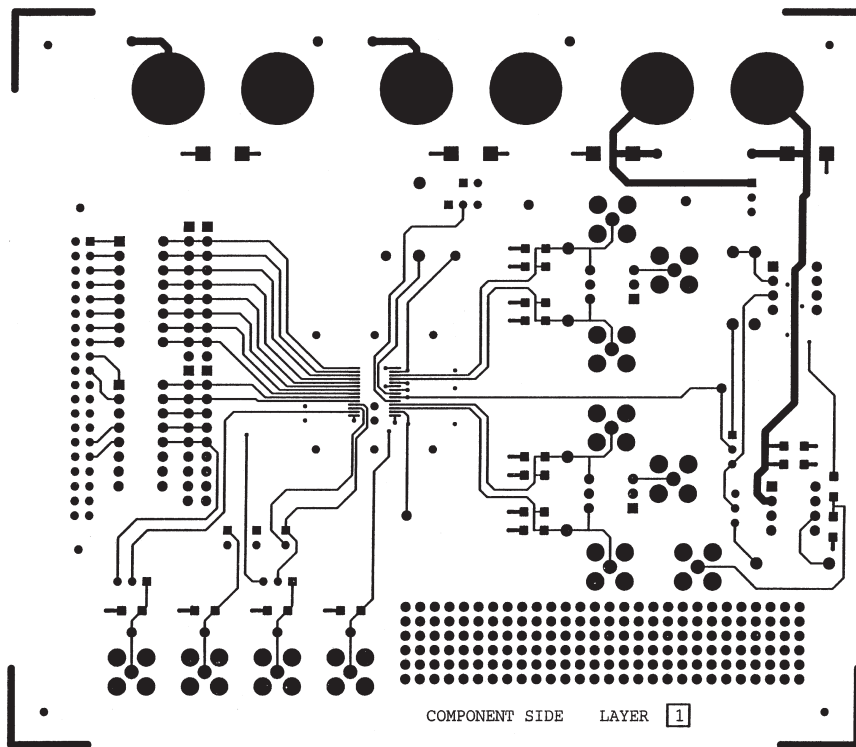


Figure 26. Component Side PCB Layout (Layer 1)

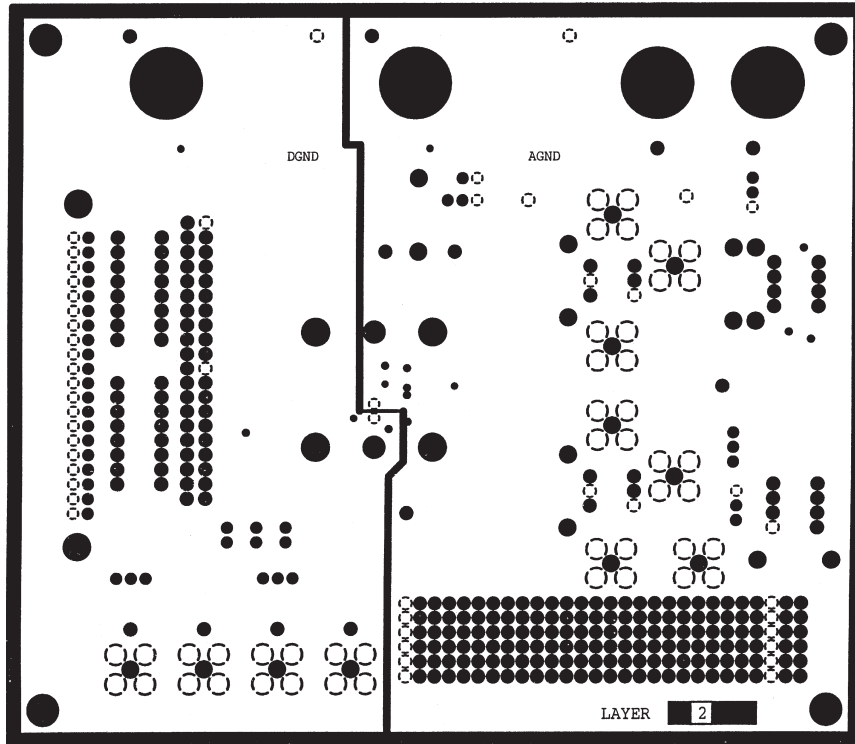


Figure 27. Ground Plane PCB Layout (Layer 2)

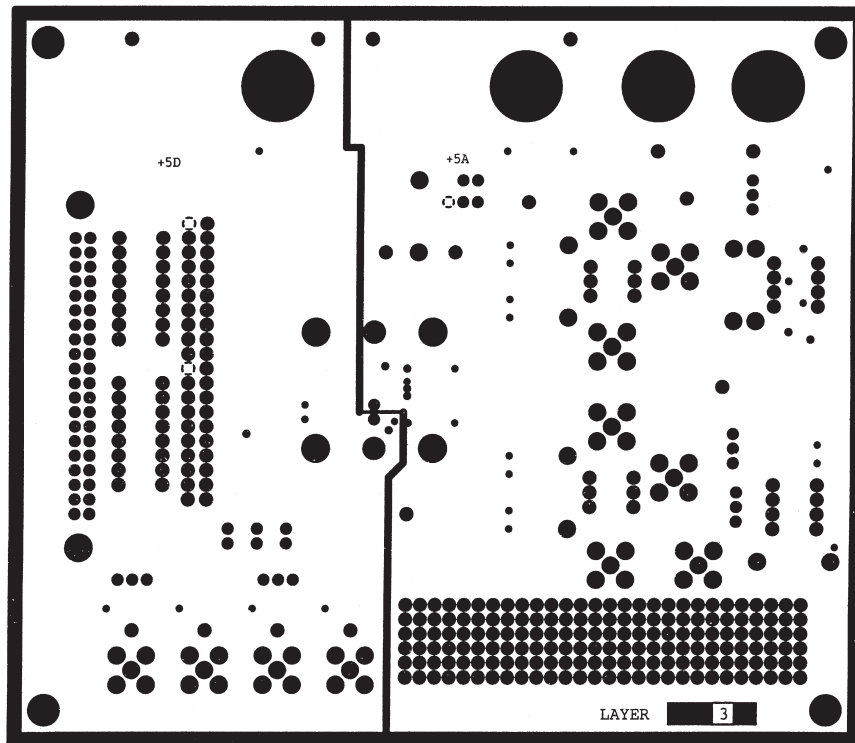


Figure 28. Power Plane PCB Layout (Layer 3)

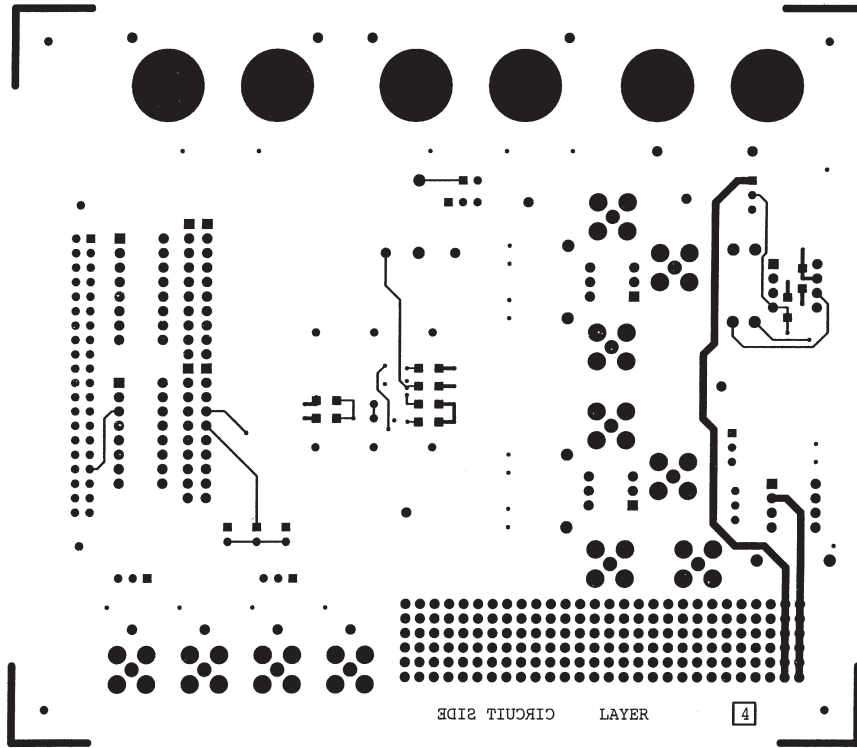


Figure 29. Solder Side PCB Layout (Layer 4)

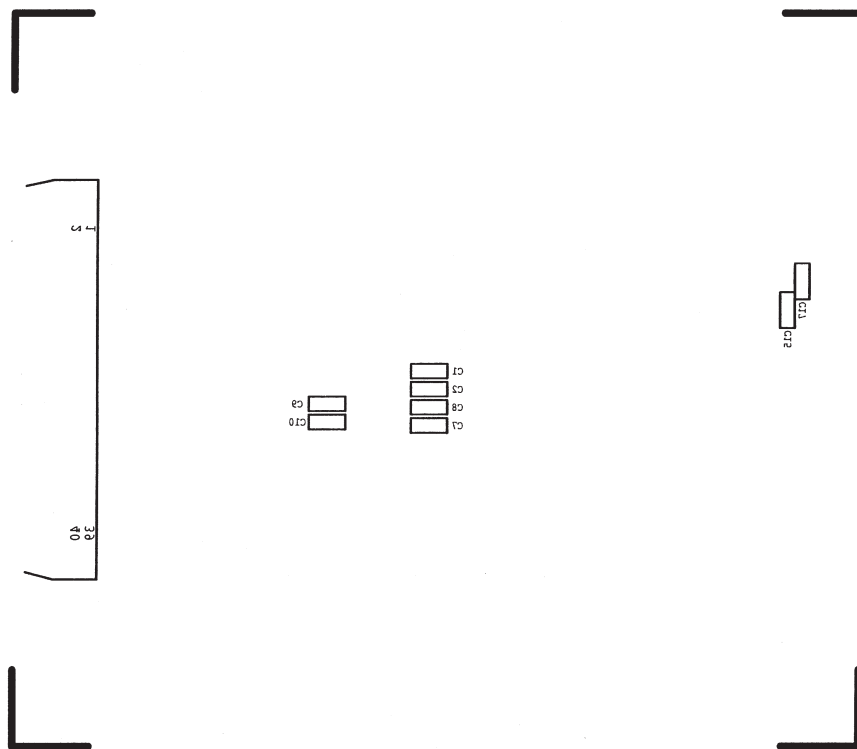
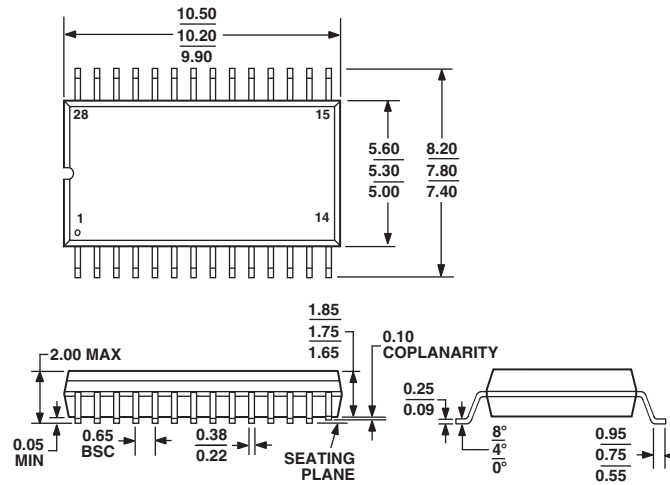


Figure 30. Silkscreen Layer—Bottom

OUTLINE DIMENSIONS

28-Lead Shrink Small Outline Package [SSOP]  
(RS-28)

Dimensions shown in millimeters



COMPLIANT TO JEDEC STANDARDS MO-150AH

# AD9761

## Revision History

<b>Location</b>	<b>Page</b>
<b>6/03—Data Sheet changed from REV. B to REV. C.</b>	
Renumbered TPCs and subsequent figures . . . . .	Universal
Changes to Figure 3 . . . . .	5
Updated ORDERING GUIDE . . . . .	5
Updated OUTLINE DIMENSIONS . . . . .	23

C00615-0-6/03(C)



# Mouser Electronics

Authorized Distributor

Click to View Pricing, Inventory, Delivery & Lifecycle Information:

[Analog Devices Inc.:](#)

[AD9761-EBZ](#) [AD9761ARSZ](#) [AD9761ARS](#) [AD9761ARSRL](#) [AD9761ARSZRL](#)