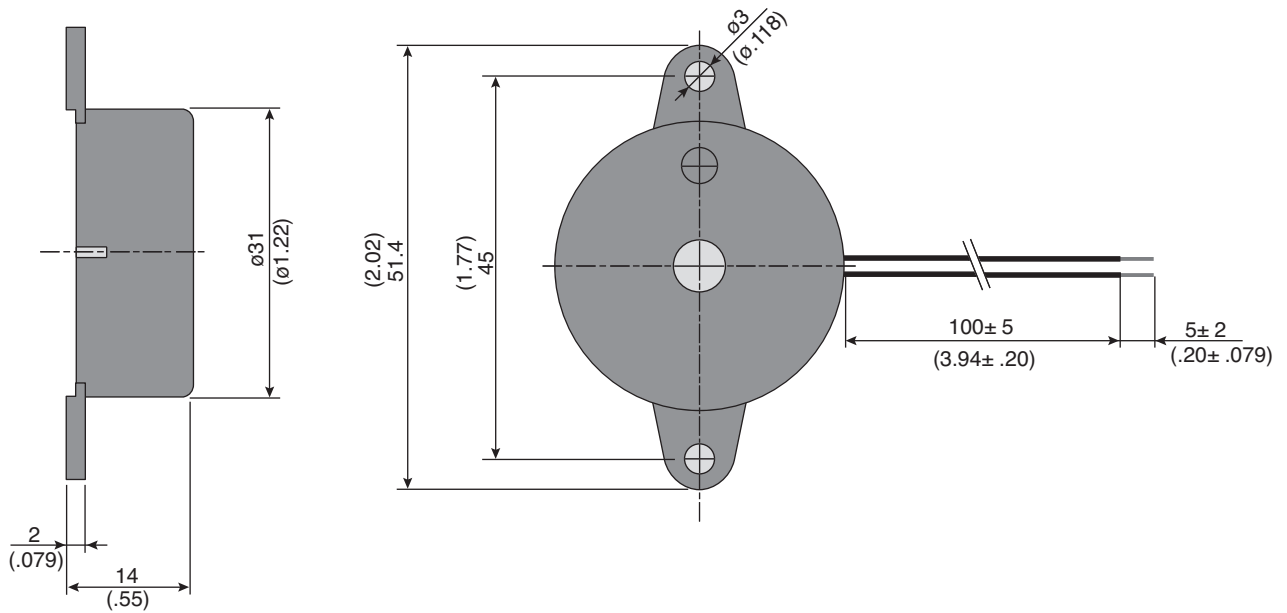


Part Number:

254-PB315-ROX

Piezoelectric Buzzer



KT-400374

Electrical Specifications:

- Rated Voltage: 9VDC
- Operating Voltage: 3 ~ 20VDC
- Rated Current: 9mA(Max)
- Sound Output At 30cm: 95dBA(Min)
- Rated Frequency: 3500Hz± 500

Mechanical Specifications:

- Operating Temperature: -20°C ~ +60°C
- Storage Temperature: -30°C ~ +70°C

Note:

- RoHS Compliant By Exemption

Mouser Electronics

Authorized Distributor

Click to View Pricing, Inventory, Delivery & Lifecycle Information:

[Kobitone:](#)

[254-PB315-ROX](#)