
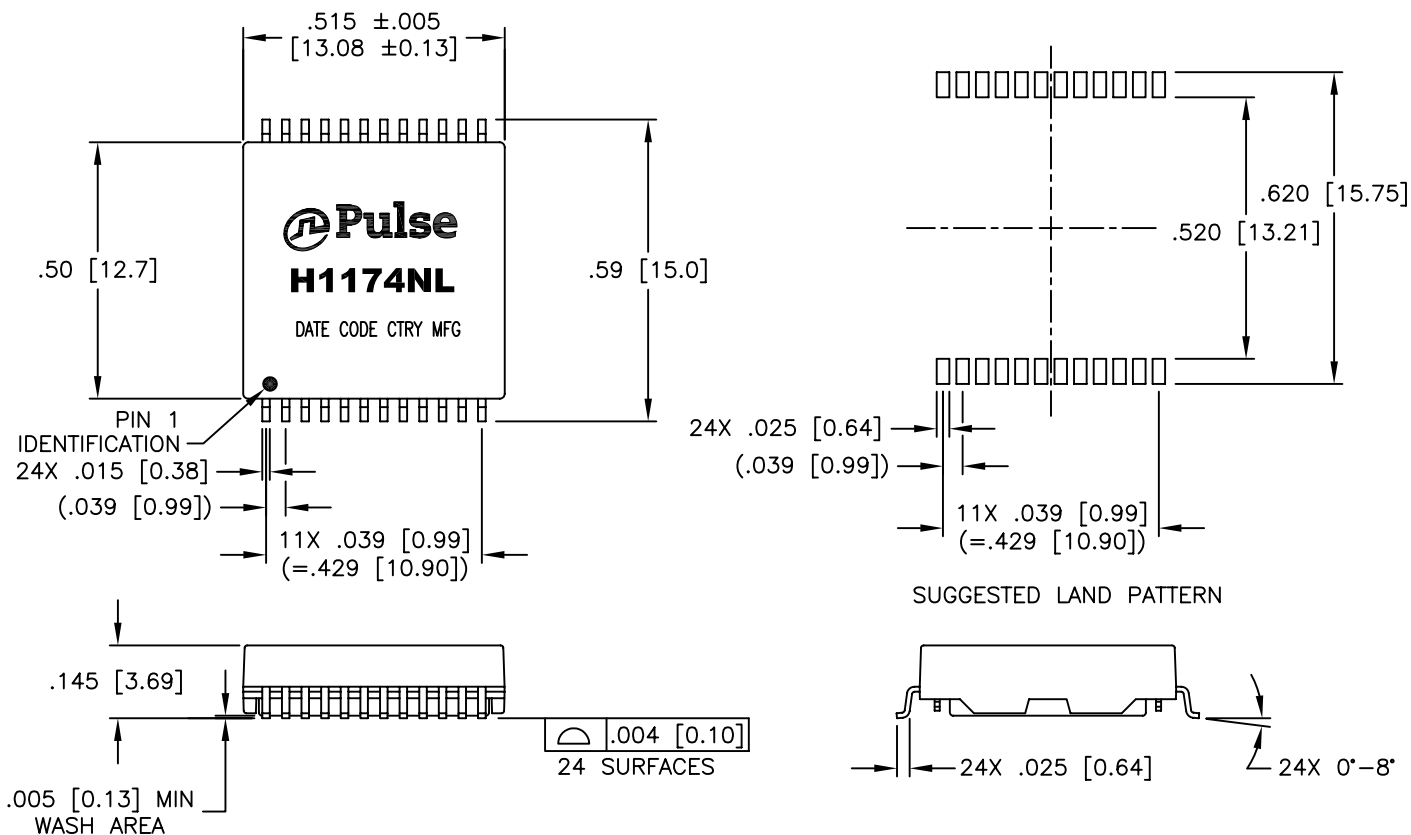


NOTES: UNLESS OTHERWISE SPECIFIED

1.

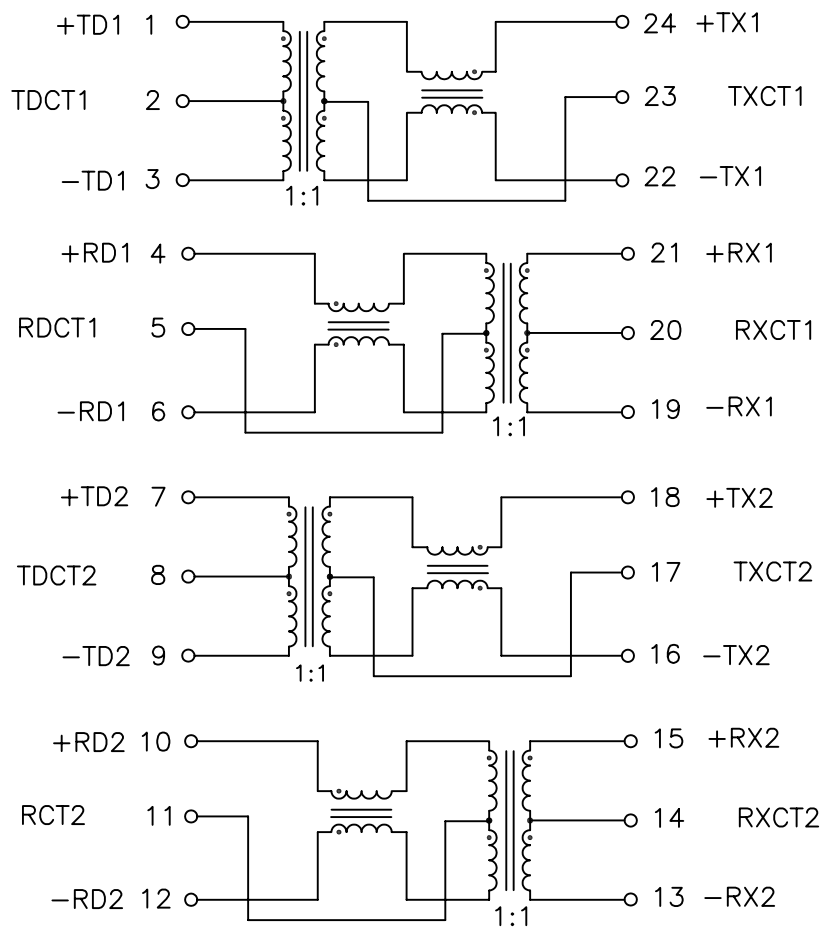
NOTICE:	THIS IS A RoHS COMPLIANT COMPONENT/PRODUCT. ALL ENGINEERING CHANGES MUST HAVE PRIOR APPROVAL BY THE DESIGN CENTER.
RoHS 	

2. PLASTIC: THERMOSET PLASTIC MATERIAL WITH FLAMMABILITY RATING UL 94V-0 OR BETTER.
3. SOLDERABILITY: CONFORMS TO ANSI/J-STD-002, 245°C REFLOW PEAK TEMPERATURE PER IPC/EIA J-STD-003A
4. OPERATING TEMPERATURE: 0°C TO +70°C
5. STORAGE TEMPERATURE: -20°C TO +125°C
6. JEDEC MOISTURE: LEVEL 1.
7. DIMENSIONS ARE IN INCHES [MILLIMETERS] WITH THE FOLLOWING TOLERANCES: [MILLIMETERS] ARE FOR REFERENCE ONLY.  
.XX = ±0.02 [±0.5]  
.XXX = ±0.010 [±0.25]
8. NOT FOR SALE IN U.S.



© Copyright, 2013. Pulse Electronics Corp. All rights reserved. Drawing specifications subject to change without notice. (10/15/13)

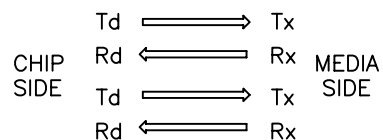
PULSE CONFIDENTIAL & PROPRIETARY	PRODUCT DESCRIPTION	PS DRAWING	SHEET:	DWG. NO./ PART NO.	REV.
	MDL,DUAL,100D,1:1,SM,TU	PS-0047.001-B	1	H1174NL	M12



SCHEMATIC

## ELECTRICAL CHARACTERISTICS AT +25°C

PARAMETER	SPECIFICATIONS	
OPERATING TEMP	0°C – 70 °C	
TURNS RATIO	1 : 1 ±2%	
POLARITY	PER SCHEMATIC	
INSERTION LOSS	1–100 MHz	125 MHz
	-1.0 dB MAX	-1.2 dB MAX
RETURN LOSS $Z_{OUT} = 100 \text{ OHMS}$	1 MHz	30–80 MHz
	-20 dB MIN	$-18 + 26 \text{ LOG}_{10} (f/30 \text{ MHz}) \text{ dB MIN}$
CROSSTALK (TX–RX)	5–100 MHz	
	$-50 + 12 \text{ LOG}_{10} (f/5 \text{ MHz}) \text{ dB MIN}$	
DIFFERENTIAL TO COMMON MODE REJECTION	5–200 MHz	
	$-50 + 17 \text{ LOG}_{10} (f/5 \text{ MHz}) \text{ dB MIN}$	
COMMON MODE REJECTION	$-50 + 17 \text{ LOG}_{10} (f/5 \text{ MHz}) \text{ dB MIN}$	
ISOLATION (INPUT – OUTPUT)	1500 VRMS 1 MINUTE	



# Mouser Electronics

Authorized Distributor

Click to View Pricing, Inventory, Delivery & Lifecycle Information:

Pulse:

[H1174NL](#)