

MATERIALS AND FINISHES

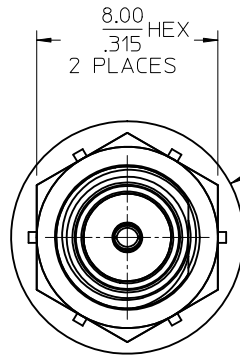
BODY, JAM NUT, CRIMP TUBE BRASS
PLATED GOLD

CENTER CONTACT BERYLLIUM COPPER
PLATED GOLD

INSULATOR TEFLON

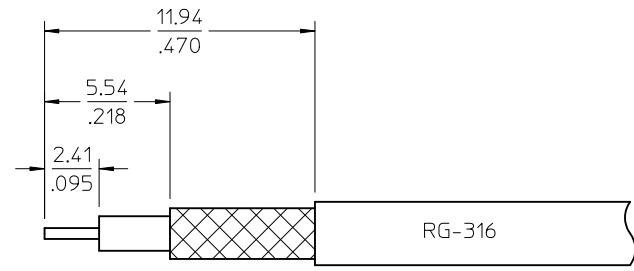
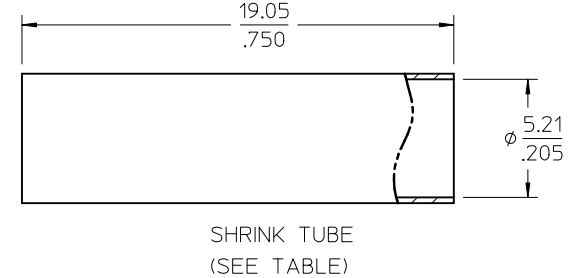
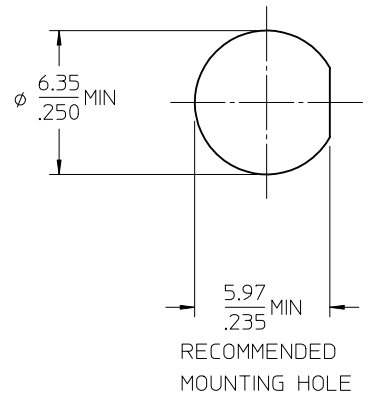
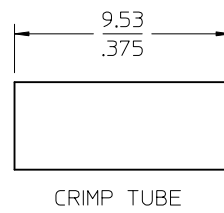
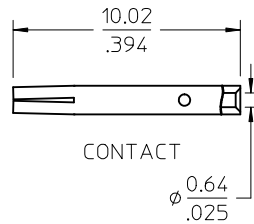
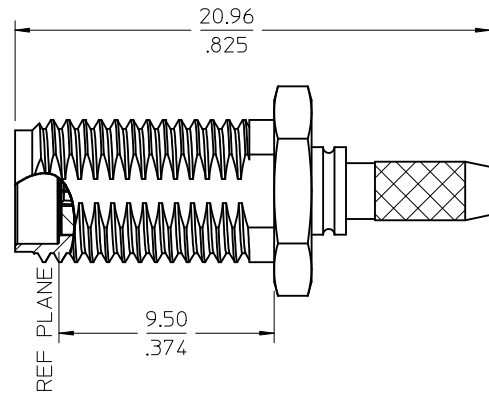
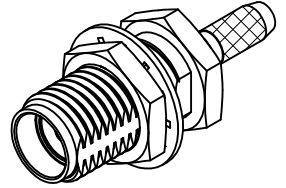
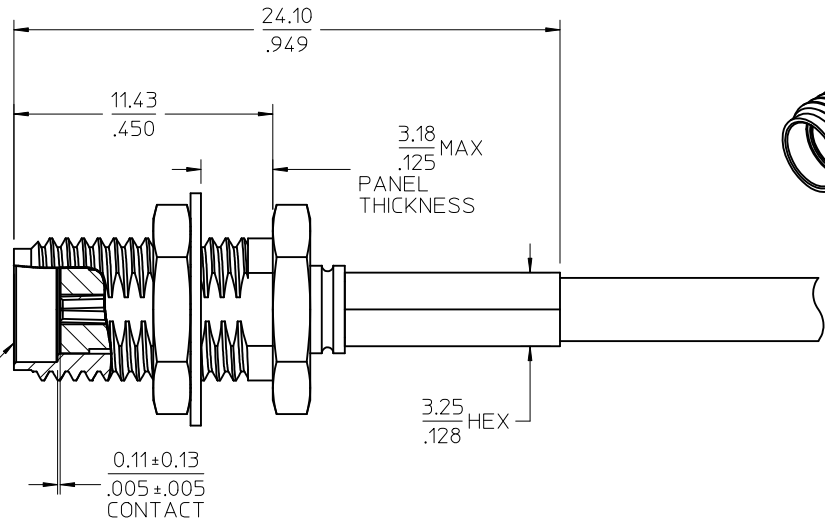
LOCKWASHER PHOSPHER BRONZE
PLATED GOLD

SHRINK TUBE BLACK



ϕ 10.26
.404
LOCKWASHER

SMA JACK
INTERFACE



RECOMMENDED CABLE STRIP

PS-89675-3460	ELECTRO/MECH PERFORM.
MIL-STD-348A, FIG. 310.2	INTERFACE
SPECIFICATION	DESCRIPTION

73251-0933	P/N 73251-0930, BY TRAY (20CAV.)
73251-0932	ONE PIECE 73251-0930 PER BAG
73251-0931	WITHOUT SHRINK TUBE
73251-0930	WITH SHRINK TUBE
PART NO.	PACKAGING

CHG: DELETE ASSY
SPEC ES-89675-164
PS-89675-346 WAS
ES-89675-2100
EC NO: URF2011-0777
DRWN:JIENER 2011/07/01
CHKD:SSS 2011/07/01
APPR:JIENER 2011/07/05
REV: B4

QUALITY SYMBOLS
▽=0
▽=0

GENERAL TOLERANCES (UNLESS SPECIFIED)
mm INCH
4 PLACES ± --- ± ---
3 PLACES ± --- ± ---
2 PLACES ± --- ± ---
1 PLACE ± --- ± ---
ANGULAR ± 2 °
DRAFT WHERE APPLICABLE
MUST REMAIN
WITHIN DIMENSIONS

DIMENSION STYLE
MM/IN
DRAWN BY DATE
TEF 2002/04/03
CHECKED BY DATE
SSS 2002/04/03
APPROVED BY DATE
GMH 2002/04/03
MATERIAL NO.
SEE TABLE
SIZE
C

SCALE
DESIGN UNITS
METRIC
THIRD ANGLE PROJECTION
TITLE
SMA JACK, BLKHD, RG316
50 OHMS, EWR-1691
SMA-JC
MOLEX INCORPORATED
DOCUMENT NO.
SD-73251-093
SHEET NO.
1 OF 1
THIS DRAWING CONTAINS INFORMATION THAT IS PROPRIETARY TO MOLEX INCORPORATED AND SHOULD NOT BE USED WITHOUT WRITTEN PERMISSION

MATERIALS AND FINISHES

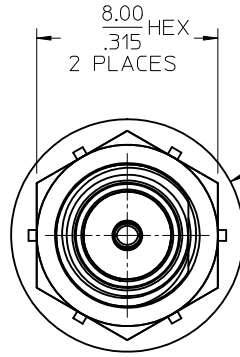
BODY, JAM NUT, CRIMP TUBE BRASS
PLATED GOLD

CENTER CONTACT BERYLLIUM COPPER
PLATED GOLD

INSULATOR TEFLON

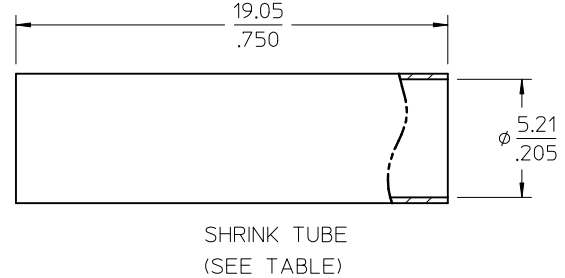
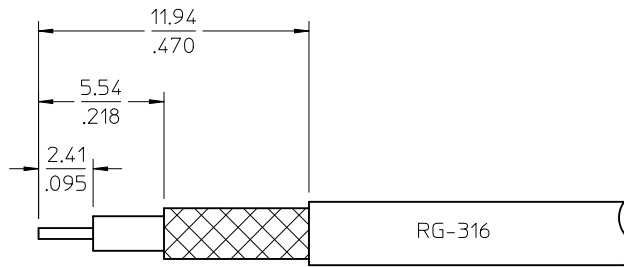
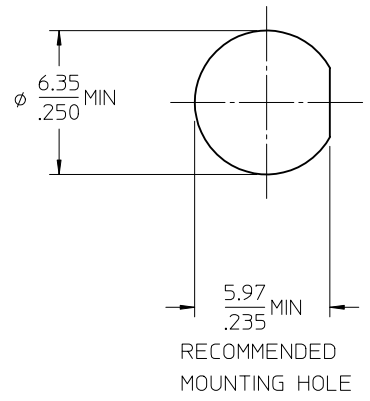
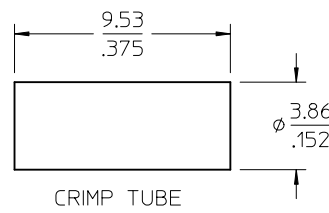
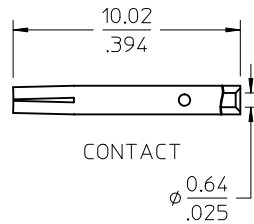
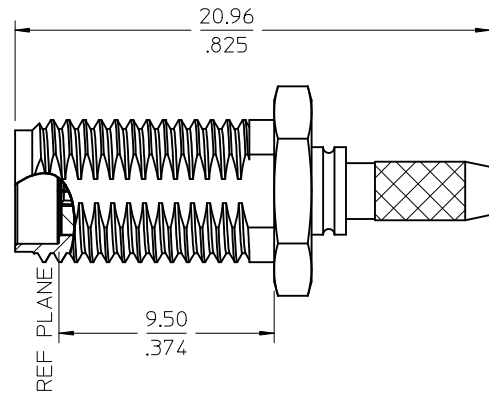
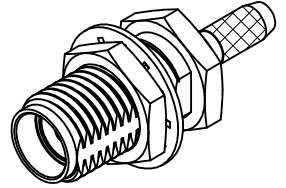
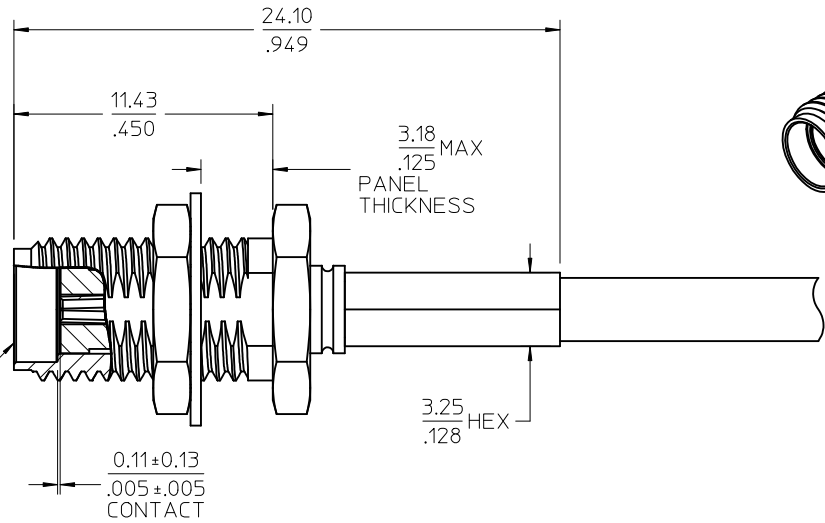
LOCKWASHER PHOSPHER BRONZE
PLATED GOLD

SHRINK TUBE BLACK



ϕ 10.26
.404
LOCKWASHER

SMA JACK
INTERFACE



RECOMMENDED CABLE STRIP

PS-89675-3460	ELECTRO/MECH PERFORM.
MIL-STD-348A, FIG. 310.2	INTERFACE
SPECIFICATION	DESCRIPTION

73251-0933	P/N 73251-0930, BY TRAY (20CAV.)
73251-0932	ONE PIECE 73251-0930 PER BAG
73251-0931	WITHOUT SHRINK TUBE
73251-0930	WITH SHRINK TUBE
PART NO.	PACKAGING

CHG: DELETE ASSY
SPEC ES-89675-164
PS-89675-346 WAS
ES-89675-2100
EC NO: URF2011-0777
DRWN:JIENER 2011/07/01
CHKD:SSS 2011/07/01
APPR:JIENER 2011/07/05
REV B4

QUALITY SYMBOLS
▽=0
▽=0

GENERAL TOLERANCES (UNLESS SPECIFIED)
mm INCH
4 PLACES ± --- ± ---
3 PLACES ± --- ± ---
2 PLACES ± --- ± ---
1 PLACE ± --- ± ---
ANGULAR ± 2 °
DRAFT WHERE APPLICABLE
MUST REMAIN
WITHIN DIMENSIONS

DIMENSION STYLE
MM/IN
DRAWN BY DATE
TEF 2002/04/03
CHECKED BY DATE
SSS 2002/04/03
APPROVED BY DATE
GMH 2002/04/03
MATERIAL NO.
SEE TABLE
SIZE C

SCALE
DESIGN UNITS
METRIC
THIRD ANGLE PROJECTION
TITLE
SMA JACK, BLKHD, RG316
50 OHMS, EWR-1691
SMA-JC
MOLEX INCORPORATED
DOCUMENT NO.
SD-73251-093
SHEET NO.
1 OF 1
THIS DRAWING CONTAINS INFORMATION THAT IS PROPRIETARY TO MOLEX INCORPORATED AND SHOULD NOT BE USED WITHOUT WRITTEN PERMISSION