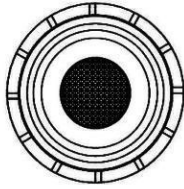
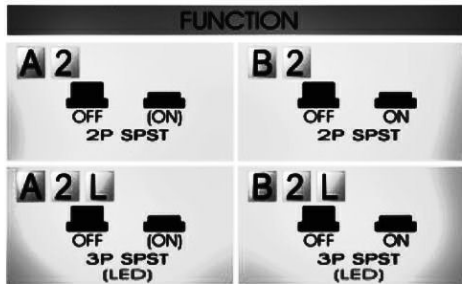
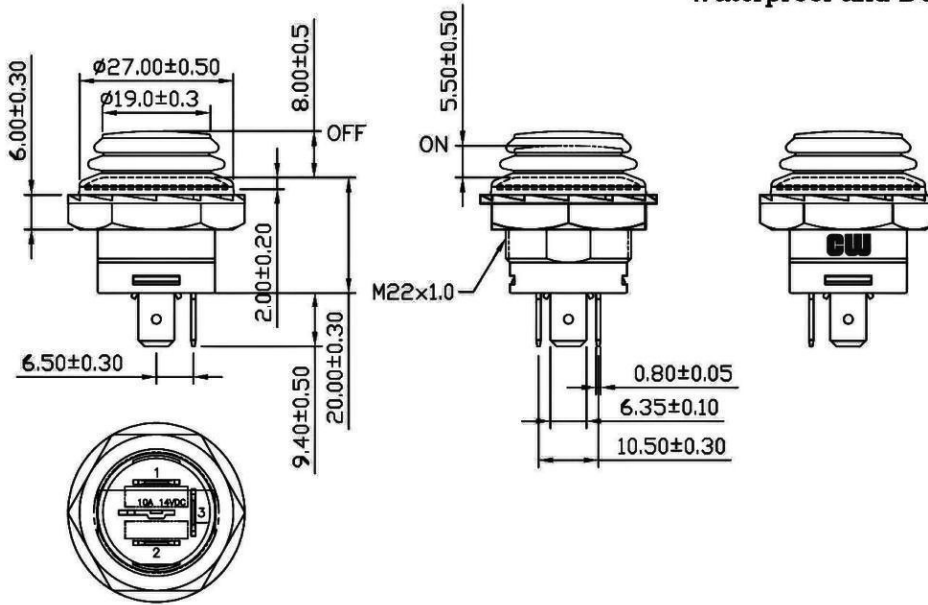


THIS INFORMATION IS CONFIDENTIAL AND PROPRIETARY TO CW INDUSTRIES INCORPORATED AND ITS AFFILIATES. IT MAY NOT BE DISCLOSED TO ANYONE, OTHER THAN CW INDUSTRIES PERSONNEL, WITHOUT WRITTEN AUTHORIZATION FROM CW INDUSTRIES INCORPORATED, SOUTHAMPTON, PENNSYLVANIA USA.

Rating	10A 14V DC	Mounting Hole	
Contact Resistance	50m ohm Max.		
Insulation Resistance	DC 500V 100M ohm Min.		
Dielectric Strength	AC 1500V 1 minute		
Operation Temperature	-25°C~85°C		
Switch Function	SEE CHART		



Frames are nylon (UL flame: 94V-2).
 Actuators are Black, PC (94V-2).
 Illuminated Actuators are molded in PC, available in Red, Amber or Green Colors.
 Waterproof Rubber: Black, Silicone.
 Terminals are silver plated brass.
 Waterproof and Dustproof to fit IP-65.



() = Momentary Function

RoHS Compliant

CW INDUSTRIES
 Southampton, Pa. 18966
 Tel 215.355.7080/www.cwind.com

Date Drawn: 1/28/11

Rev. 0

Unit: mm

Checked By: G.Guld

Title: PUSH BUTTON SWITCH

CW P/N: GPB553X2SERIES

Mouser Electronics

Authorized Distributor

Click to View Pricing, Inventory, Delivery & Lifecycle Information:

[CW Industries:](#)

[GPB553A201BB](#) [GPB553B201BB](#) [GPB553B2L01BR](#) [GPB553B2L01BU](#) [GPB553A2L01BR](#)