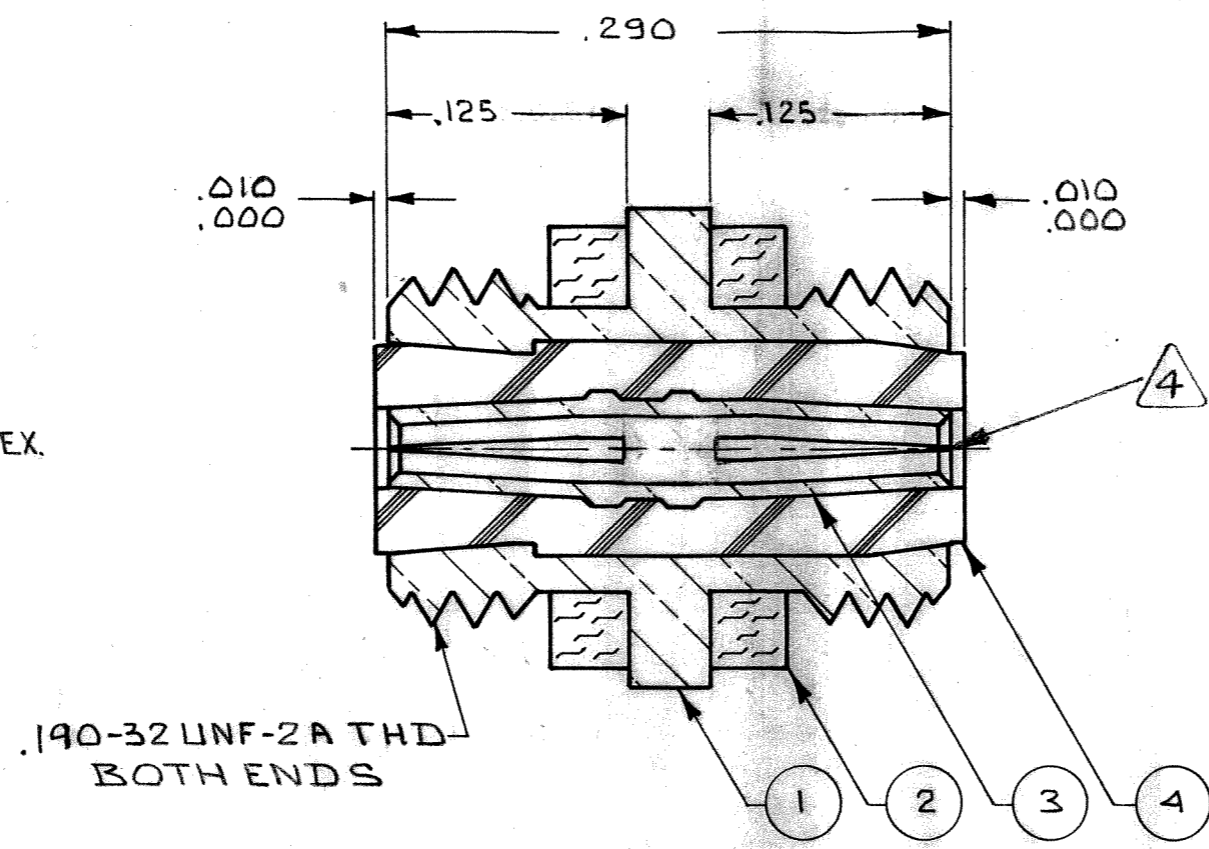
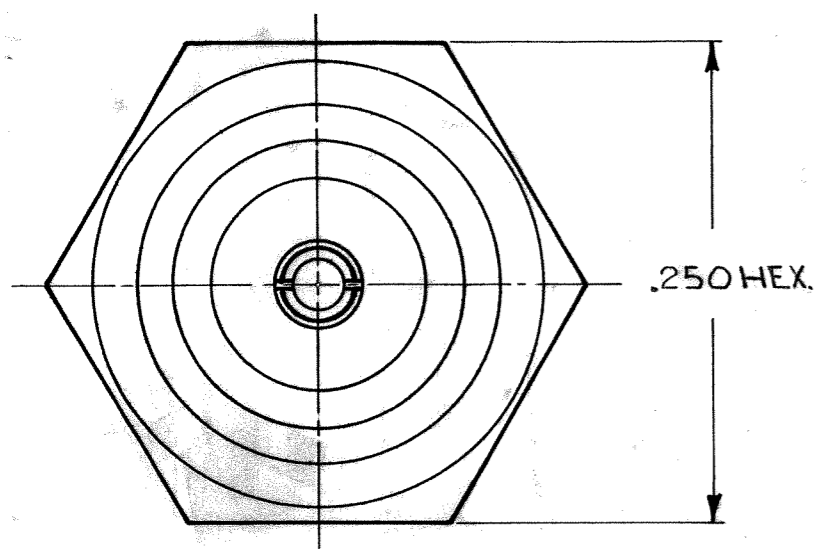


REVISIONS

SYM	ECN	DESCRIPTION	DATE	APPROVED
L		REVISED & REDRAWN ECO 13193	6/10/71	[Signature]
M	24246	REDESIGN SOCKET CONFIG. ADD Δ . BERYLLIUM COPPER PER QQ-C-530 WAS COIN SILVER MIL-B-13282 .125 WAS .125 \pm .005	4/4/79	B.M.
N	38487	UPDATE REV. LETTER		[Signature]



Tyco Dwg 1466294
Micro P/N 03300010001

- NOTES: UNLESS OTHERWISE SPECIFIED
1. THIS CONNECTOR MATES WITH ALL 50 SERIES SCREW ON TYPE PLUGS AS LISTED IN MALCO CATALOG (BOTH ENDS)
 - Δ SILVER PLATE .0002 MIN. PER QQ-S-365, TYPE II, GRADE A.
 - Δ GOLD PLATE PER MIL-G-45204, TYPE II, GRADE C, CLASS I.
 - Δ CONTACT TO BE FLUSH WITH OR RECESSED FROM FACE BOTH ENDS.

PLATE	QTY. REQD.	PART NO.	NOMENCLATURE OR DESCRIPTION	MATERIAL & SPECIFICATION	ITEM NO.
	1	000-0301-0062	INSULATOR	TEFLON PER L-P-403	4
Δ 3	1	003-0013-0002	SOCKET CONTACT	BERYLLIUM COPPER PER QQ-C-530	3
	2	003-0011-0001	GASKET	NEOPRENE PER MIL-R-3065	2
Δ 2	1	000-1601-0152	HOUSING	BRASS PER QQ-B-626	1

LIST OF MATERIAL OR PARTS LIST

UNLESS OTHERWISE SPECIFIED		DRAWN	<i>m form</i>	426-53		MALCO A MICRODOT COMPANY, INC. 220 PASADENA AVE., SO. PASADENA, CALIF. 9103	
DIMENSIONS ARE IN INCHES		CHECK				ADAPTER	
TOLERANCES		PR. ENG.	<i>[Signature]</i>				
DECIMALS		CHF. ENG.					
FRACTIONS		MATERIAL NOTED			SIZE	CODE IDENT.	CODE
.XX \pm					B	NO. 98278	CDM
.XXX \pm 0/10							033-0001-0001
.XXXX \pm							
ANGLES \pm 2°		SURFACE ROUGHNESS		\checkmark			
SURFACE TREATMENT NOTED		SCALE		10X	WT	SHEET 1 OF 1	
TOP ASSY.		DO NOT SCALE THIS DWG					

Mouser Electronics

Authorized Distributor

Click to View Pricing, Inventory, Delivery & Lifecycle Information:

[TE Connectivity:](#)

[033-0001-0001](#)