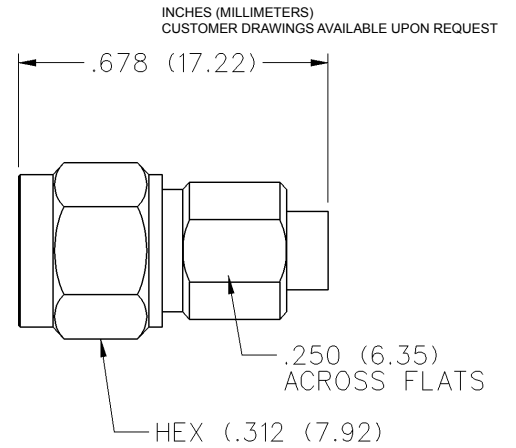


Between Series Adapter SMA Plug to MMCX Jack



VSWR & FREQUENCY RANGE	GOLD PLATED
1.05 + .05f (GHz) 0-6 GHz	134-1019-151



Mouser Electronics

Authorized Distributor

Click to View Pricing, Inventory, Delivery & Lifecycle Information:

[Cinch Connectivity Solutions:](#)

[134-1019-151](#)