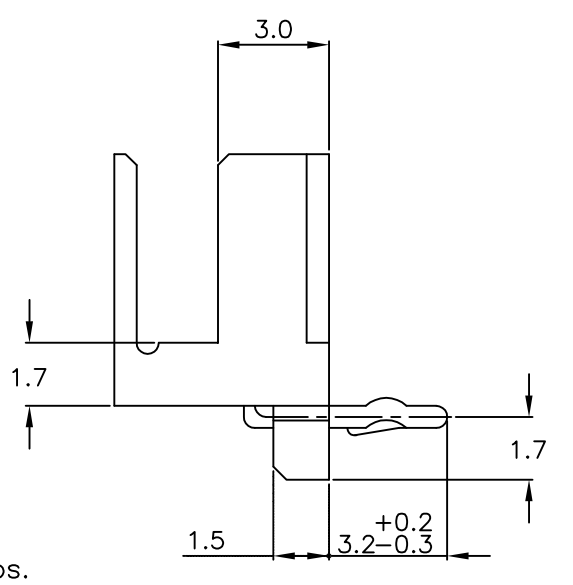
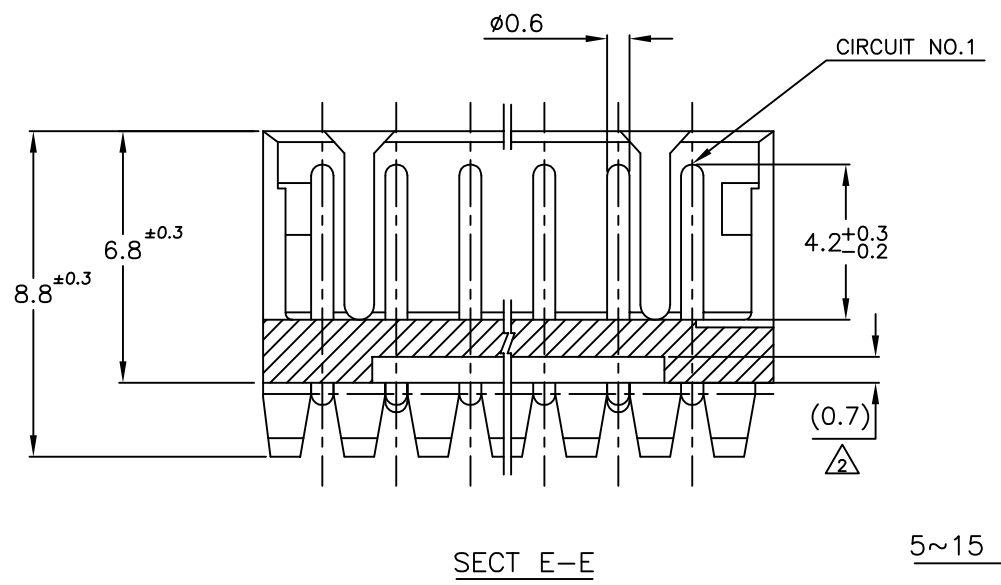
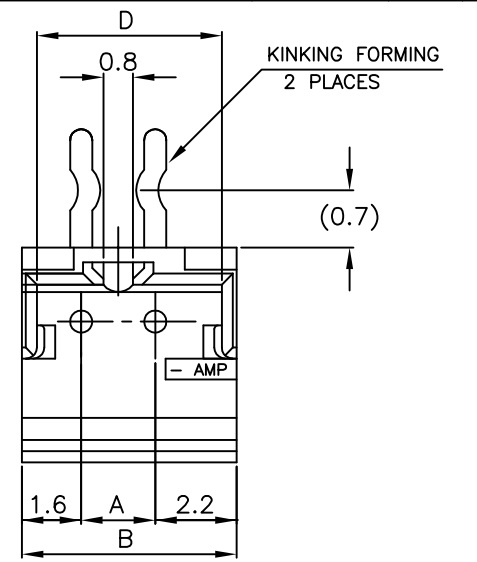
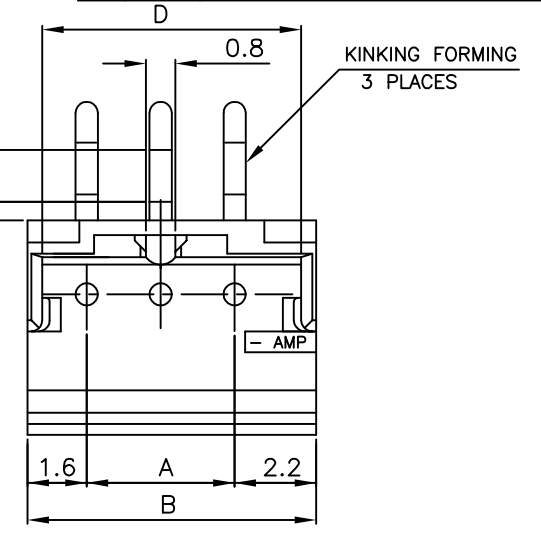
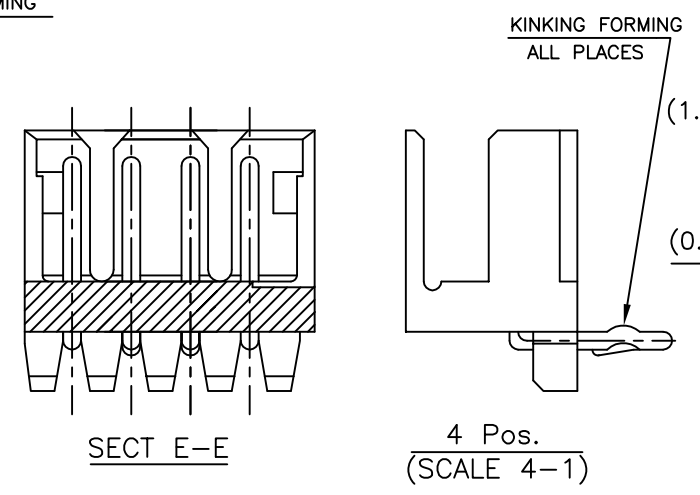
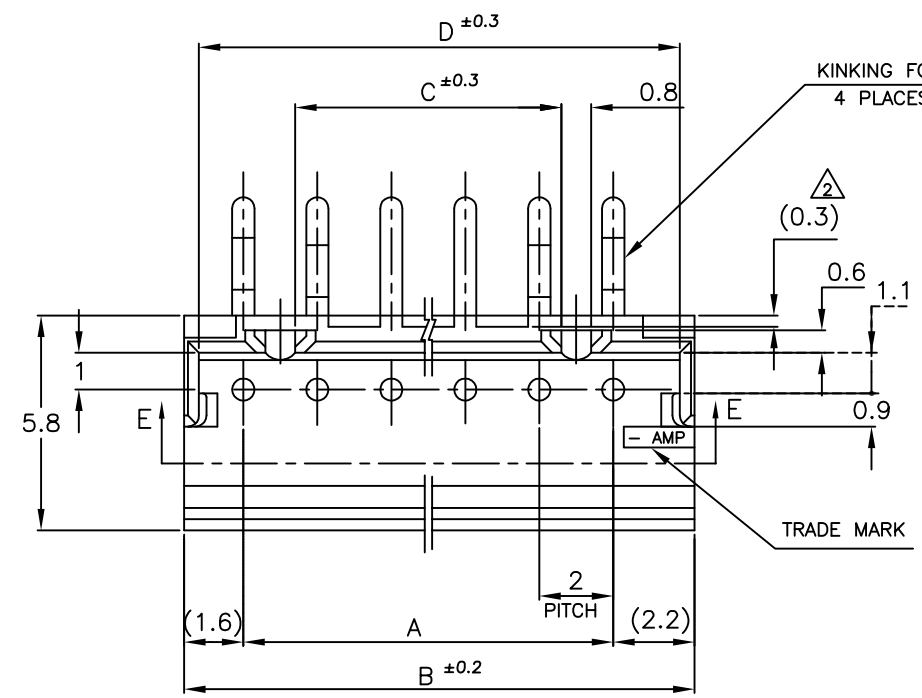


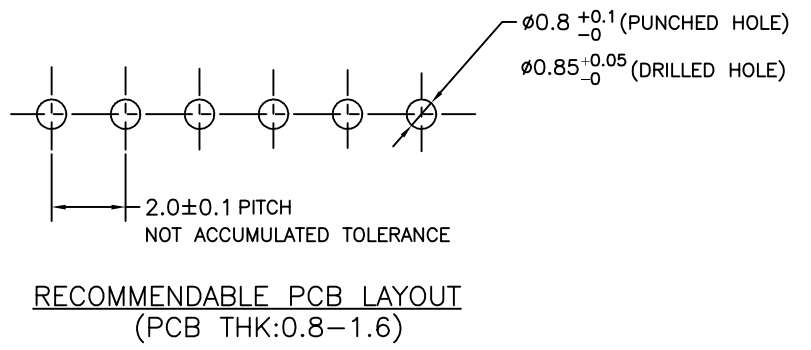
THIS DRAWING IS UNPUBLISHED. RELEASED FOR PUBLICATION  
 © COPYRIGHT - By - ALL RIGHTS RESERVED.

LOC	DIST	REVISIONS			DATE	DWN	APVD
FB	00	P	LTR	DESCRIPTION	15MAY14	T.Q	W.H
		P1	REVISED	ECR-14-006619			



7-292250-5	5-292250-5	3-292250-5	1-292250-5	15	28	31.8	25.2	31.0				
7-	4-	5-	4-	3-	4-	1-	4-	14	26	29.8	23.2	29.0
7-	3-	5-	3-	3-	3-	1-	3-	13	24	27.8	21.2	27.0
7-	2-	5-	2-	3-	2-	1-	2-	12	22	25.8	19.2	25.0
7-	1-	5-	1-	3-	1-	1-	1-	11	20	23.8	17.2	23.0
7-	0-	5-	0-	3-	0-	1-	0-	10	18	21.8	15.2	21.0
6-	9-	4-	9-	2-	9-	9-	9-	9	16	19.8	13.2	19.0
6-	8-	4-	8-	2-	8-	8-	8-	8	14	17.8	11.2	17.0
6-	7-	4-	7-	2-	7-	7-	7-	7	12	15.8	9.2	15.0
6-	6-	4-	6-	2-	6-	6-	6-	6	10	13.8	7.2	13.0
6-	5-	4-	5-	2-	5-	5-	5-	5	8	11.8	5.2	11.0
6-	4-	4-	4-	2-	4-	4-	4-	4	6	9.8	3.2	9.0
6-	3-	4-	3-	2-	3-	3-	3-	3	4	7.8	—	7.0
6-292250-2	4-292250-2	2-292250-2	292250-2	2	2	5.8	—	5.0				
BLACK	YELLOW	BLUE	NATURAL	Pos.	A	B	C	D				

NOTES:  
 1. MATERIAL: HOUSING - NYLON 66 (UL94V-0)  
 POST - TIN BRASS  
 △ 12 POS ~ 15 POS ONLY



THIS DRAWING IS A CONTROLLED DOCUMENT.

DWN	S.XU	31JAN03	 TE Connectivity	NAME POST HEADER ASS'Y BOX-H DIP (AMP CT CONNECTOR 2mm PITCH)		
CHK	S.YAO	31JAN03				
APVD	T. SAKAI	31JAN03				
PRODUCT SPEC	108-60016					
APPLICATION SPEC			SIZE	CAGE CODE	DRAWING NO	RESTRICTED TO
WEIGHT			A3	00779	C=292250	
CUSTOMER DRAWING			SCALE	5:1	SHEET	1 OF 1
					REV	P1

# Mouser Electronics

Authorized Distributor

Click to View Pricing, Inventory, Delivery & Lifecycle Information:

[TE Connectivity:](#)

[292250-8](#)