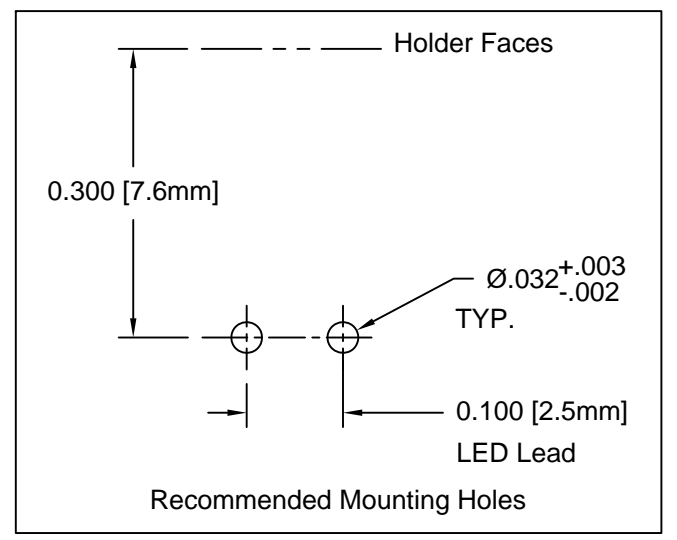
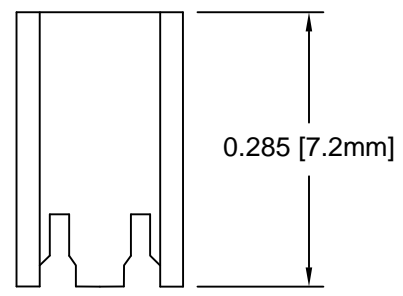
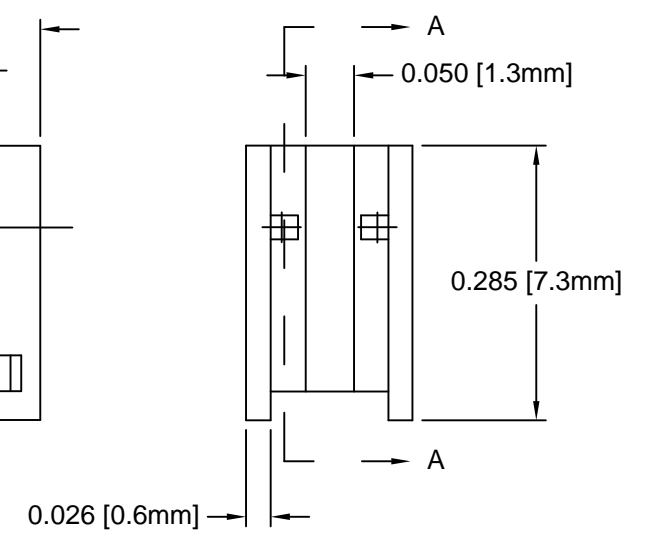
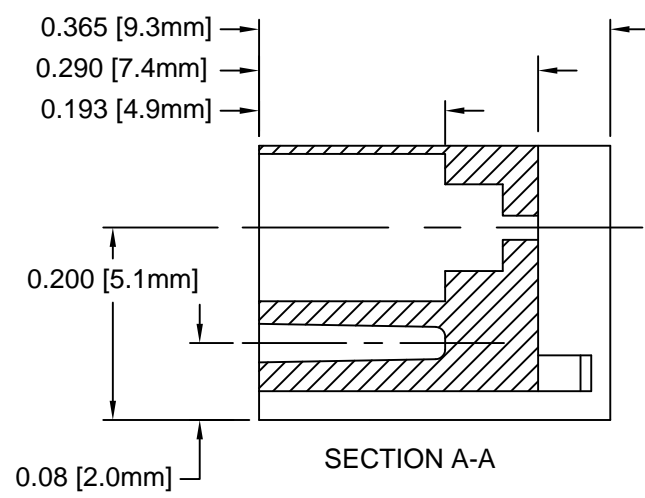
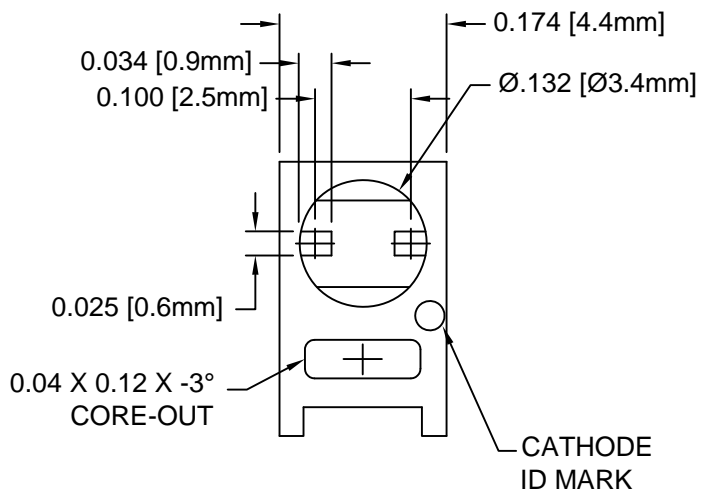


REV.	DESCRIPTION	DATE	APPROVED
C	Engineering Release	11/30/04	M. C.
D	Removed Material Code	05/28/16	J. C.



- 2. MATERIAL: NYLON 6/6, 94V-0, BLACK.
- 1. GENERAL SPECIFICATIONS: BIVAR MOLDED COMPONENT SPECIFICATION BV00-E101.

STANDARD TOLERANCE (UNLESS OTHERWISE SPECIFIED)		 4 THOMAS, IRVINE, CA. 92618 TEL: (949) 951-8808 FAX: (949) 951-3974		
DECIMALS	ANGULAR			
.X ± .1	X° ± 1°	 TITLE: T-1 (3mm) LED HOLDER, 90° MOUNT, INTERLOCKING VARIABLE DIAMETER	REVISION: D	
.XX ± .01				PART NO: H-101C-EL
.XXX ± .005				
DESIGNED: M. Chen	DATE: 04/16/03	REVISION: D		
CHECKED: D. Green	DATE: 04/16/03	CAGE CODE : 32559 SHEET # 1 OF 1		
CAD GENERATED DOCUMENT. DO NOT MEASURE DRAWING.				

Mouser Electronics

Authorized Distributor

Click to View Pricing, Inventory, Delivery & Lifecycle Information:

[BIVAR:](#)

[H-101C-EL](#)