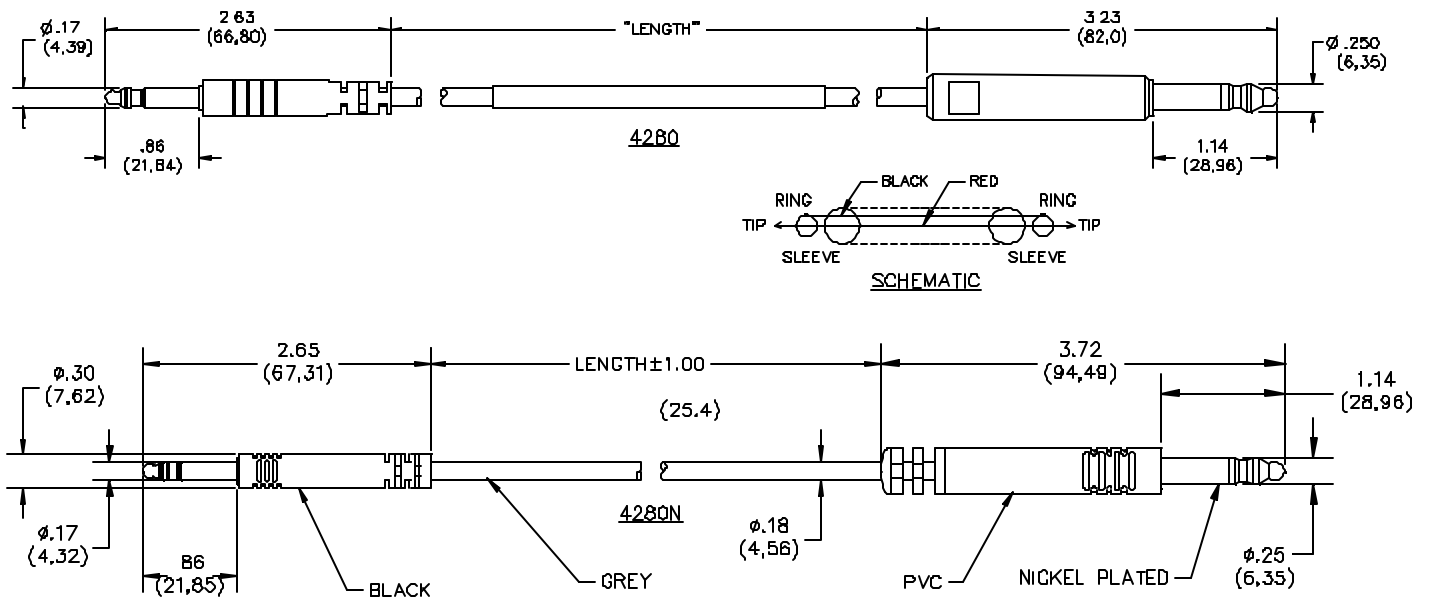


Model 4280 and 4280N WE=310 (PJ-051) To Bantam Miniature Phone Plug



FEATURES:

- Shielded cable to reduce noise
- WE-310 and Bantam Plugs molded to the cable for optimum durability
- Available in three lengths

MATERIALS:

Plugs – (4280) Brass, unplated

(4280N) Brass, nickel plated

Cable – 2 Conductor shielded twisted pair, PVC jacket and insulation

RATINGS:

Operating Voltage: 300 VRMS Max.

Operating Temperature: +50°C to (+122°F) Max.

Current: 3.36 Amperes @ 25°C

Nominal Capacitance Shield Conductors: 720pf

Nominal Capacitance Between Conductors: 420pf

ORDERING INFORMATION: Model 4280 or 4280N-XX

XX = Length in inches

Standard Lengths 36" (914 mm), 48" (1219 mm), 60" (1520 mm)

All dimensions are in inches. Tolerances (except noted): .xx = ±.02" (.51 mm), .xxx = ±.005" (.127 mm).

All specifications are to the latest revisions. Specifications are subject to change without notice.

Registered trademarks are the property of their respective companies. Made in USA

Mouser Electronics

Authorized Distributor

Click to View Pricing, Inventory, Delivery & Lifecycle Information:

Pomona:

[4280-60](#) [4280N-36](#) [4280N-60](#) [4280N-48](#) [4280-36](#)