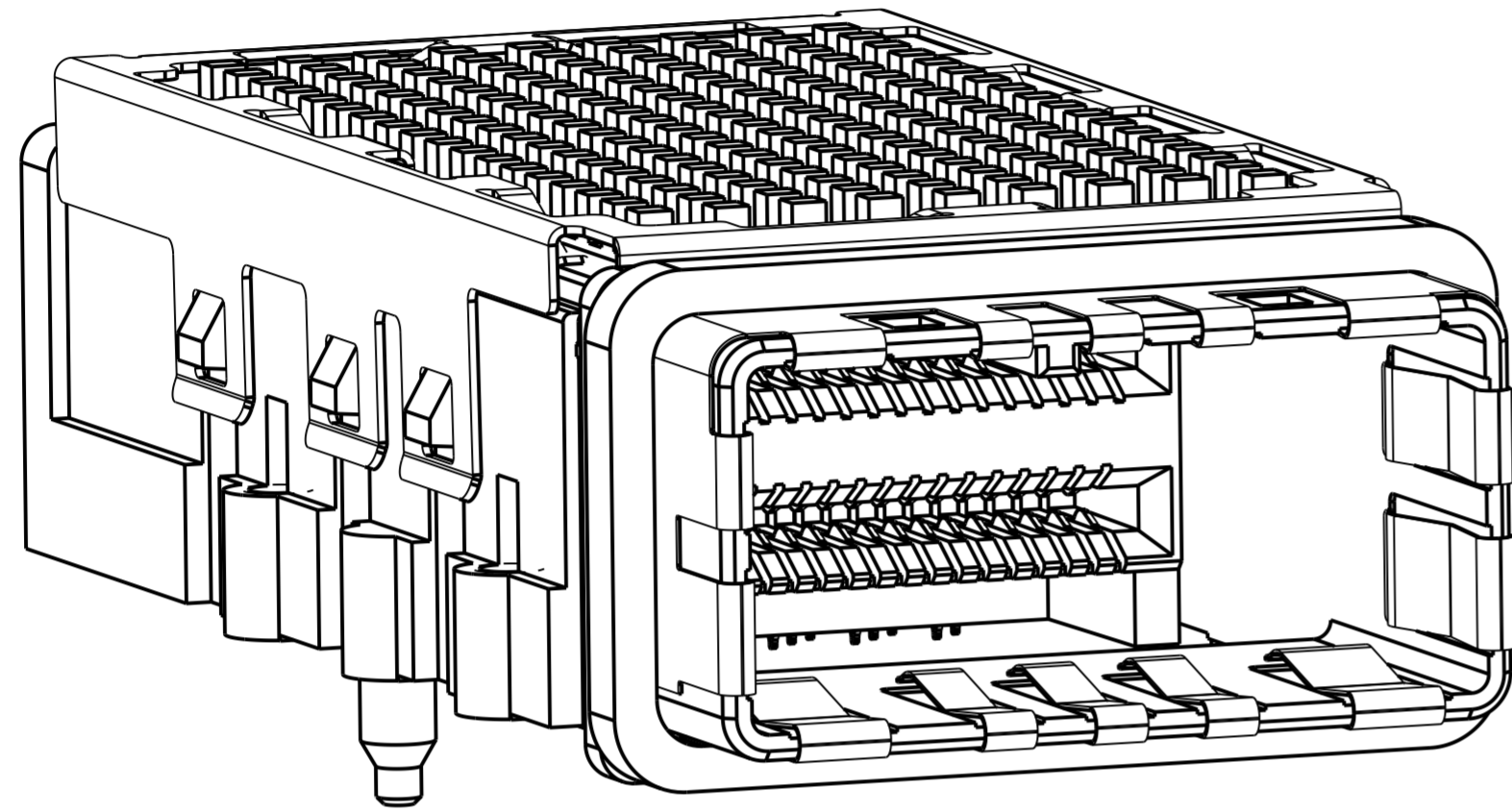
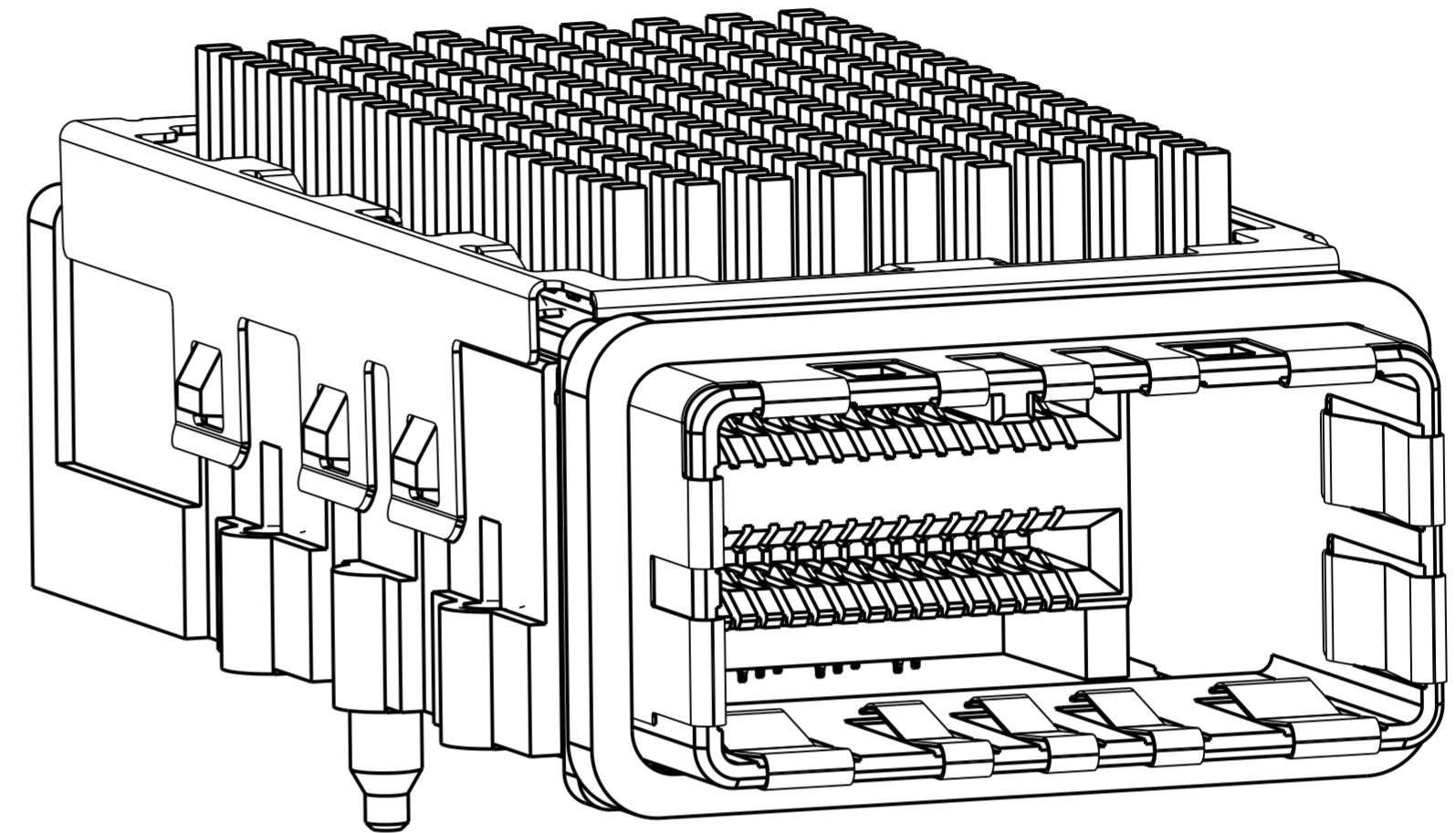


THIS DRAWING IS UNPUBLISHED. RELEASED FOR PUBLICATION 20
 © COPYRIGHT 20 BY - ALL RIGHTS RESERVED.

| REVISIONS | | | | |
|-----------|-----|------------------------|-----------|--------|
| P | LTR | DESCRIPTION | DATE | APVD |
| A | | RELEASED ECO-14-003843 | 31MAR2014 | LAW SB |
| | | | | |
| | | | | |



2149157-1
SCALE 5:1



2149157-3
SCALE 5:1

| | | | | | |
|----------|------|---------------------------------|--------|--|-------------|
| OBSOLETE | 23.5 | 2149448-2 | 3 | 84 POSITION RECEPTACLE ASSEMBLY WITH HEAT SINK | 2149157-6 |
| | 23.5 | 2149448-1 | 2 | 84 POSITION RECEPTACLE ASSEMBLY WITH HEAT SINK | 2149157-5 |
| OBSOLETE | 16.5 | 2149448-2 | 3 | 84 POSITION RECEPTACLE ASSEMBLY WITH HEAT SINK | 2149157-4 |
| | 16.5 | 2149448-1 | 2 | 84 POSITION RECEPTACLE ASSEMBLY WITH HEAT SINK | 2149157-3 |
| OBSOLETE | 14.2 | 2149448-2 | 3 | 84 POSITION RECEPTACLE ASSEMBLY WITH HEAT SINK | 2149157-2 |
| | 14.2 | 2149448-1 | 2 | 84 POSITION RECEPTACLE ASSEMBLY WITH HEAT SINK | 2149157-1 |
| E | | RECEPTACLE HOUSING SUB-ASSEMBLY | FINISH | DESCRIPTION | PART NUMBER |

THIS DRAWING IS A CONTROLLED DOCUMENT. DIMENSIONING AND TOLERANCING PER ASME Y14.5M-2009

DIMENSIONS: mm

TOLERANCES UNLESS OTHERWISE SPECIFIED:

| | |
|--------|-------|
| 0 PLC | ±0.15 |
| 1 PLC | ±0.15 |
| 2 PLC | ±0.15 |
| 3 PLC | ± |
| 4 PLC | ± |
| ANGLES | ± |
| FINISH | ± |

MATERIAL

DWN 09 JUN 2010
M. E. COWHER

CHK 10 JUN 2010
M. D. MORRISON

APVD 10 JUN 2010
M. D. MORRISON

PRODUCT SPEC 108-2426

APPLICATION SPEC 114-13283

WEIGHT -

Customer Drawing

STE TE Connectivity

NAME RECEPTACLE ASSEMBLY WITH HEAT SINK, 84 POSITION, CXP

SIZE 108-2426

CAGE CODE 114-13283

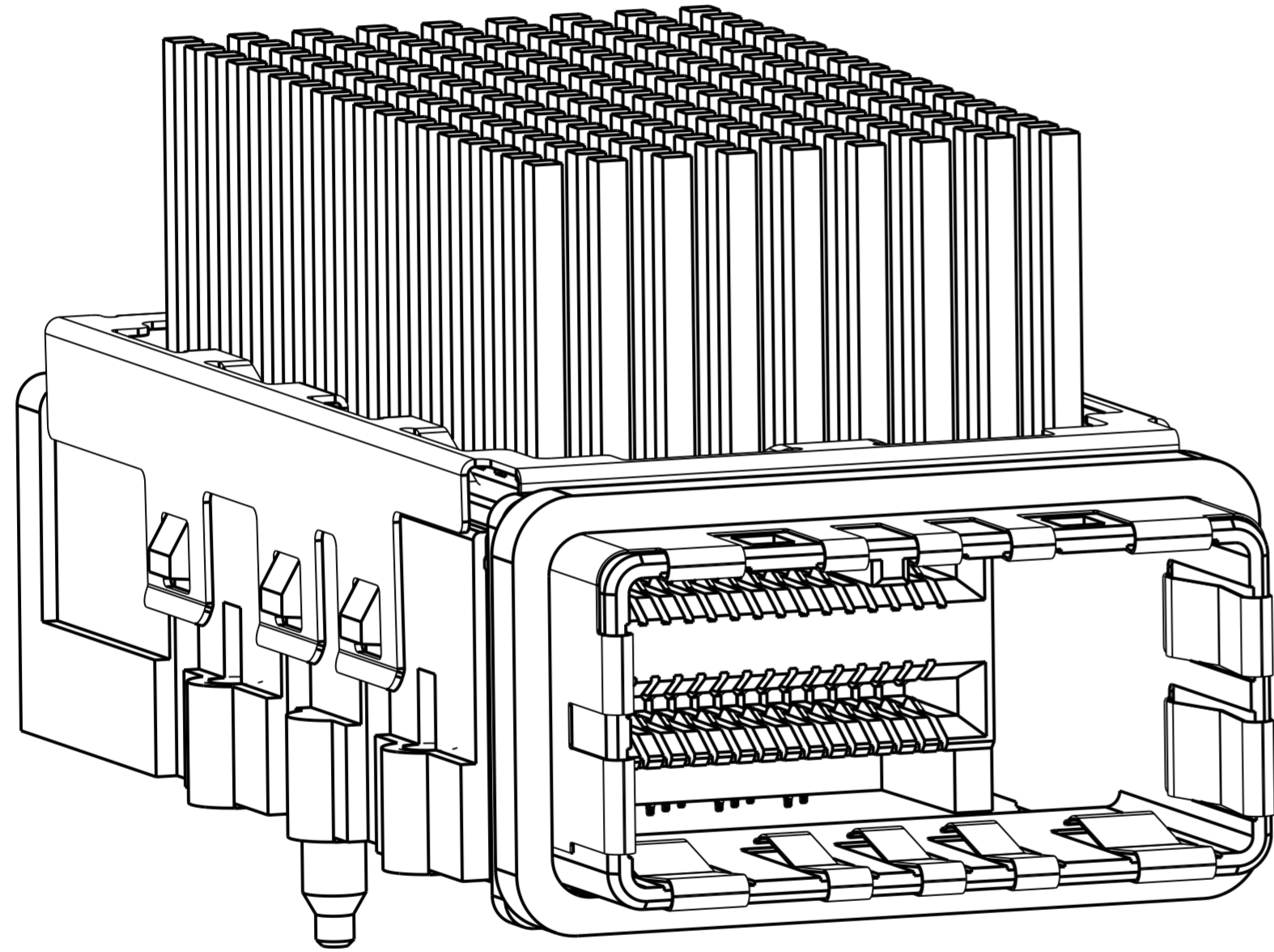
DRAWING NO. A200779

RESTRICTED TO -

SCALE 1:1 SHEET 1 OF 5 REV A

THIS DRAWING IS UNPUBLISHED. RELEASED FOR PUBLICATION 20
 © COPYRIGHT 20 BY - ALL RIGHTS RESERVED.

| REVISIONS | | | | |
|-----------|-----|-------------|------|------|
| P | LTR | DESCRIPTION | DATE | APVD |
| - | | SEE SHEET 1 | - | - |
| | | | | |
| | | | | |



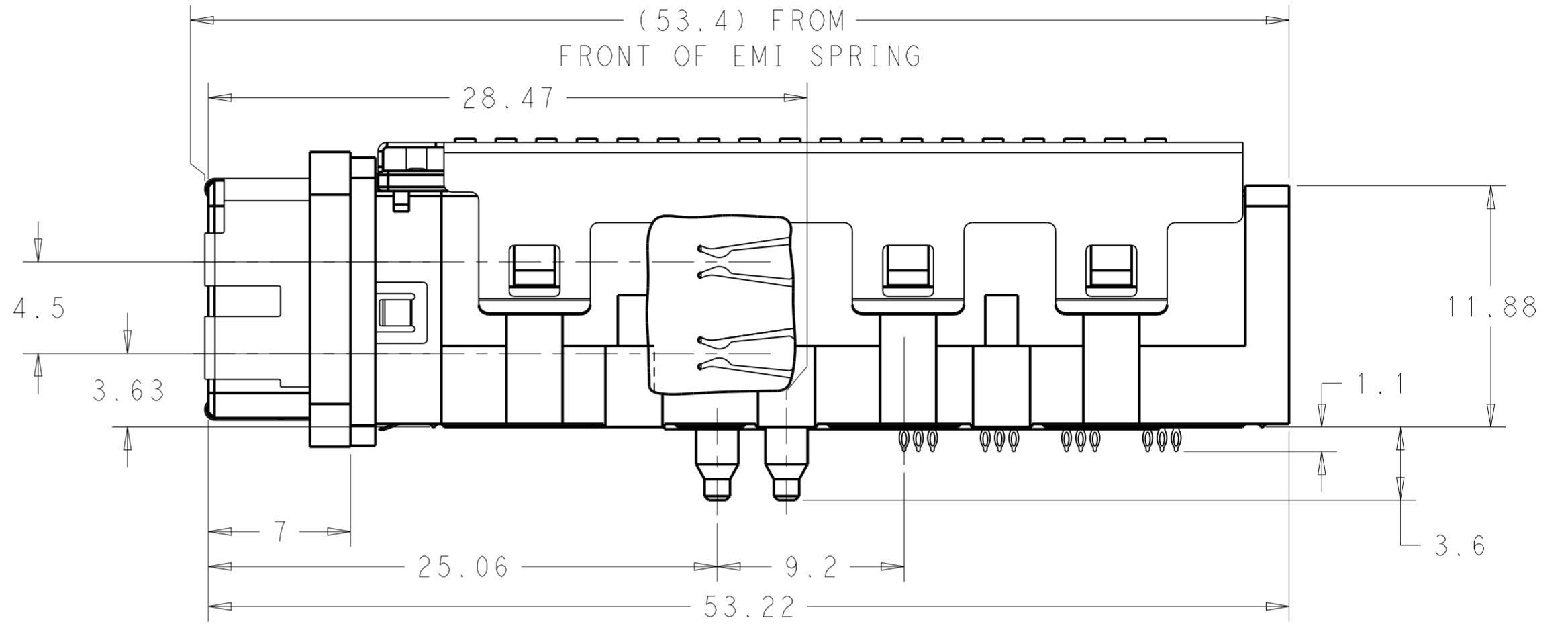
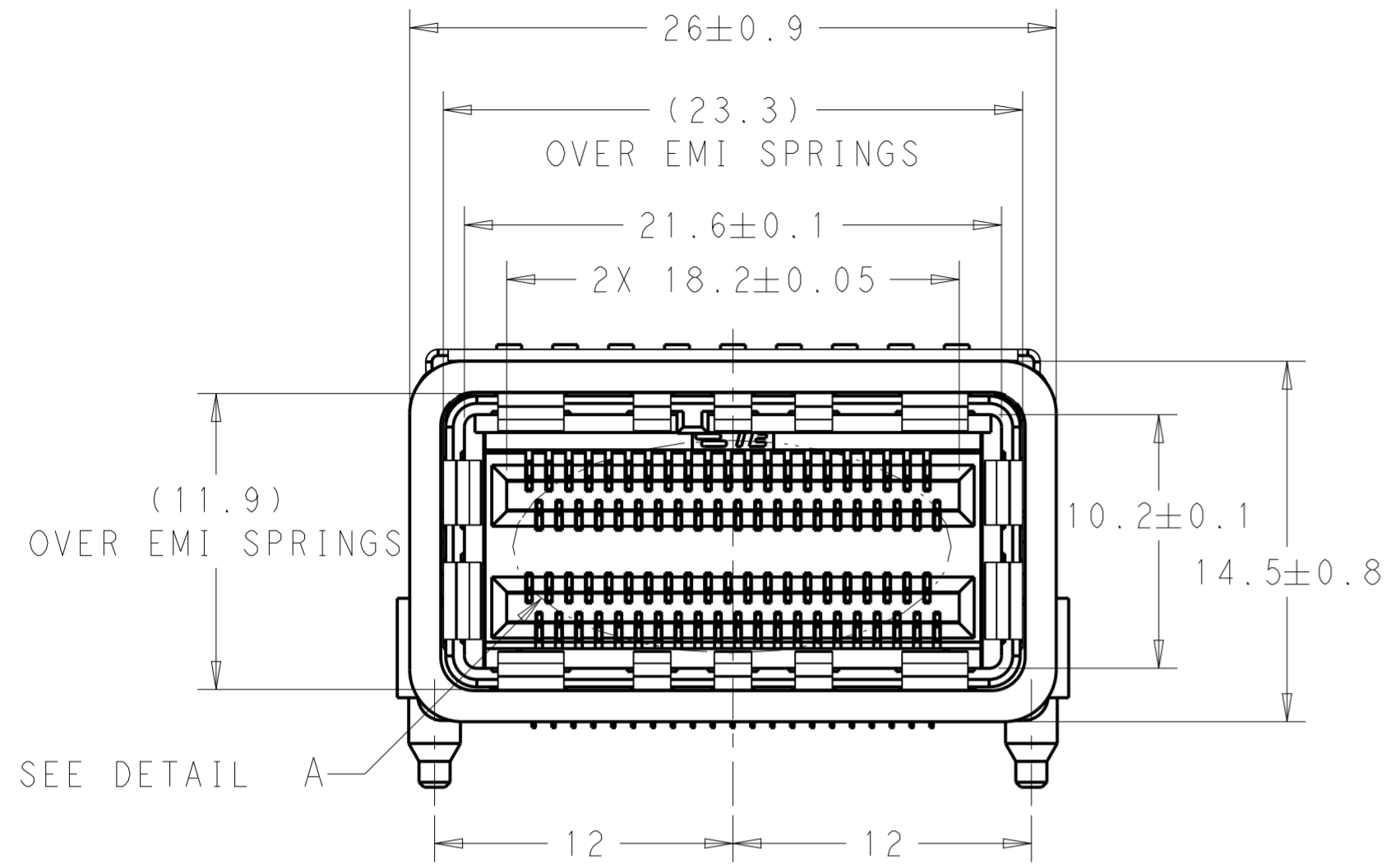
2149157-5
SCALE 5:1

- 1. MATERIALS:
 HOUSING - ZINC ALLOY
 EMI GASKET - CONDUCTIVE URETHANE FOAM
 RECEPTACLE HOUSING - LCP, BLACK, UL 94V-0 RATED
 CHICKLET - LCP, BLACK, UL 94V-0 RATED
 CONTACT - PHOSPHOR BRONZE
 EMI SPRING - COPPER ALLOY
 HEAT SINK - ALUMINUM
 CLIP, HEAT SINK - STAINLESS STEEL
- 2. FINISH:
 CONTACT-CONFORMS TO THE REQUIREMENTS OF TE
 PRODUCT SPECIFICATION 108-2426, BASED ON EIA/ECA-364-1000.01A,
 (CONTROLLED ENVIRONMENT APPLICATIONS) ON MATING INTERFACE,
 MATTE TIN PLATE OVER NICKEL UNDERPLATE ON COMPLAINT PIN
 HOUSING & HEATSINK - NICKEL PLATE
- 3. NOTE DELETED
- 4. PCB THICKNESS = 1.57 MIN
- 5. FOR HOLE SIZE AND FINISHES, SEE APPLICATION SPEC 114-13283
- 6. THE ENTIRE AREA OF THE CONNECTOR FOOTPRINT, INDICATED
 BY CROSSHATCHING, TO BE CONSIDERED THE KEEPOUT AREA FOR
 COMPONENTS AND SIGNAL TRACES, TOP SIDE ONLY, TOP SIDE
 TRACES ALLOWED WITHIN CONNECTOR HOLE PATTERN, CROSSHATCHING
 TO BE CONDUCTIVE
- 7. MOUNTING HARDWARE REQUIRED:
 M2x0.4 (4)
 MOUNTING SCREW LENGTH = BOARD THICKNESS PLUS 4mm MAX
- 8. COMPONENTS PACKAGED UNASSEMBLED

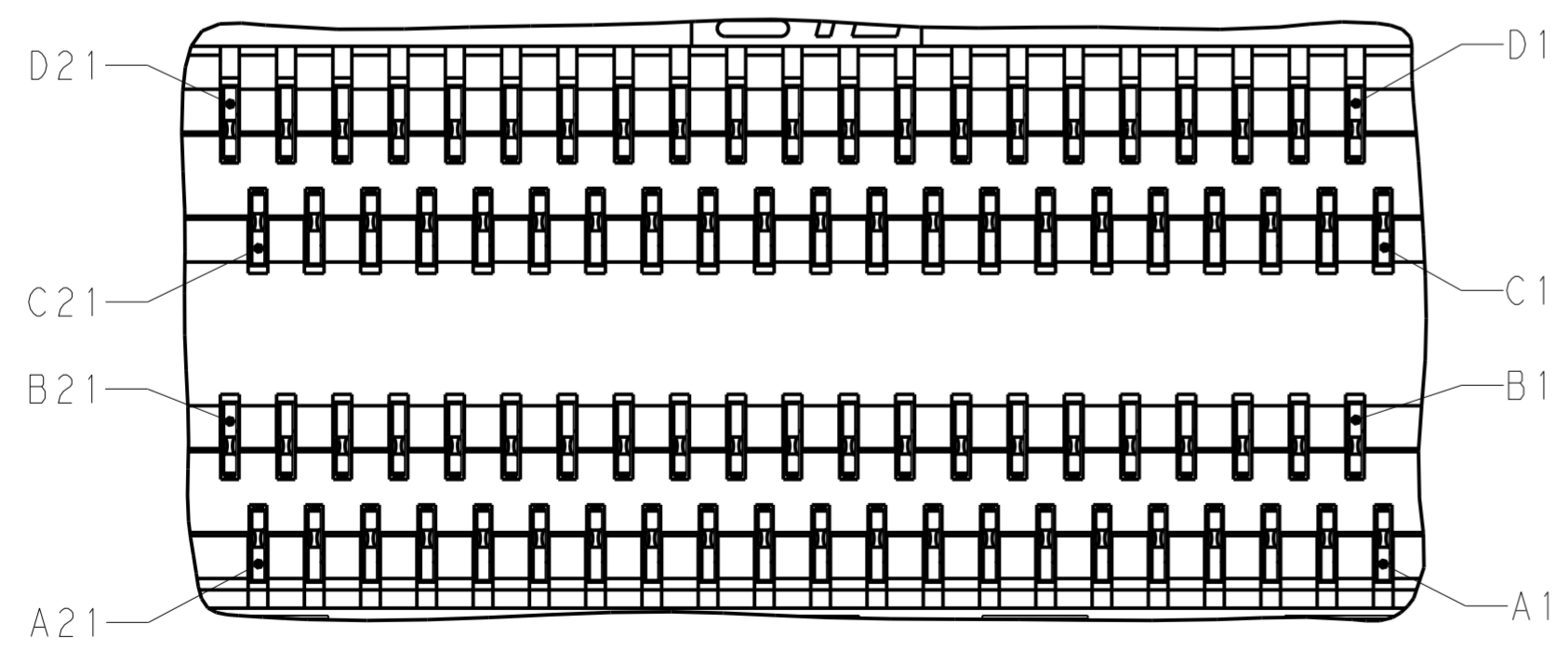
| | | | | |
|--|--|--------------------------------------|---|--------------------|
| THIS DRAWING IS A CONTROLLED DOCUMENT. DIMENSIONING AND TOLERANCING PER ASME Y14.5M-2009 | | DWN M.E. COWHER 09 JUN 2010 | TE Connectivity | |
| DIMENSIONS: mm | | CHK M.D. MORRISON 10 JUN 2010 | | |
| TOLERANCES UNLESS OTHERWISE SPECIFIED: | | APVD M.D. MORRISON 10 JUN 2010 | NAME RECEPTACLE ASSEMBLY WITH HEAT SINK, 84 POSITION, CXP | |
| 0 PLC ±0.15 1 PLC ±0.15 2 PLC ±0.15 3 PLC ± 4 PLC ± ANGLES ± FINISH ± | | PRODUCT SPEC 108-2426 | RESTRICTED TO | |
| MATERIAL | | APPLICATION SPEC 114-13283 | SIZE A2 | CAGE CODE 00779 |
| 1 | | WEIGHT - | DRAWING NO C-2149157 | REV A |
| 2 | | Customer Drawing | SCALE 1:1 | SHEET 2 OF 5 |

THIS DRAWING IS UNPUBLISHED. RELEASED FOR PUBLICATION 20
 © COPYRIGHT 20 BY - ALL RIGHTS RESERVED.

| REVISIONS | | | | |
|-----------|-----|-------------|------|------|
| P | LTR | DESCRIPTION | DATE | APVD |
| - | | SEE SHEET 1 | - | - |
| | | | | |
| | | | | |



2149157-1
 SCALE 4:1



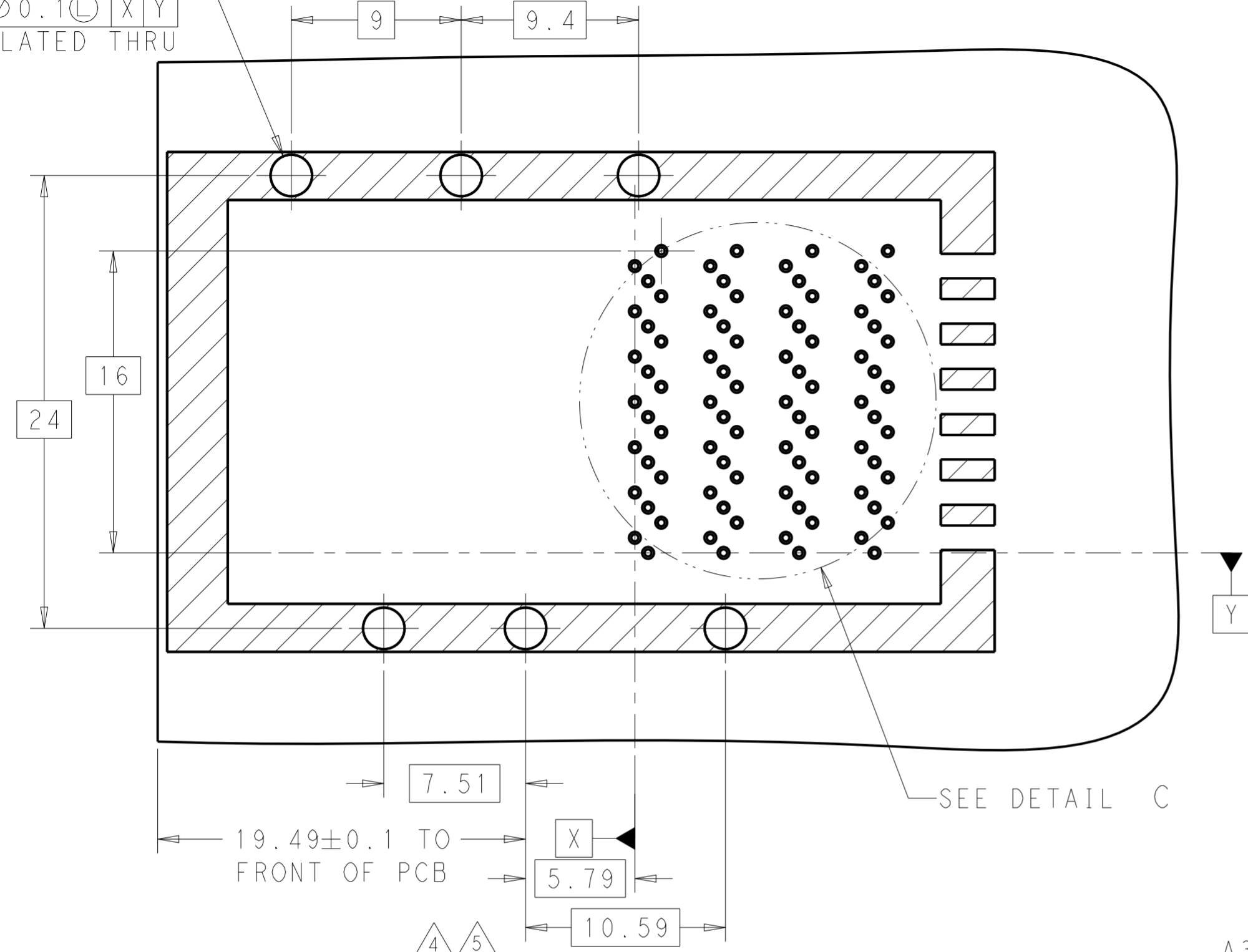
DETAIL A
 CONNECTOR PIN CALLOUT
 SCALE 10:1

| | | | |
|--|--|-----------------------------------|---|
| THIS DRAWING IS A CONTROLLED DOCUMENT. DIMENSIONING AND TOLERANCING PER ASME Y14.5M-2009 | | DWN 09 JUN 2010 M.E. COWHER | TE Connectivity |
| DIMENSIONS: mm | | CHK 10 JUN 2010 M.D. MORRISON | |
| TOLERANCES UNLESS OTHERWISE SPECIFIED: | | APVD 10 JUN 2010 M.D. MORRISON | NAME RECEPTACLE ASSEMBLY WITH HEAT SINK, 84 POSITION, CXP |
| 0 PLC ±0.15 | | PRODUCT SPEC 108-2426 | SIZE CAGE CODE DRAWING NO RESTRICTED TO |
| 1 PLC ±0.15 | | APPLICATION SPEC 114-13283 | A200779 C-2149157 |
| 2 PLC ±0.15 | | WEIGHT - | SCALE 4:1 SHEET 3 OF 5 REV A |
| 3 PLC ± | | Customer Drawing | |
| 4 PLC ± | | | |
| ANGLES ± | | | |
| FINISH ± | | | |

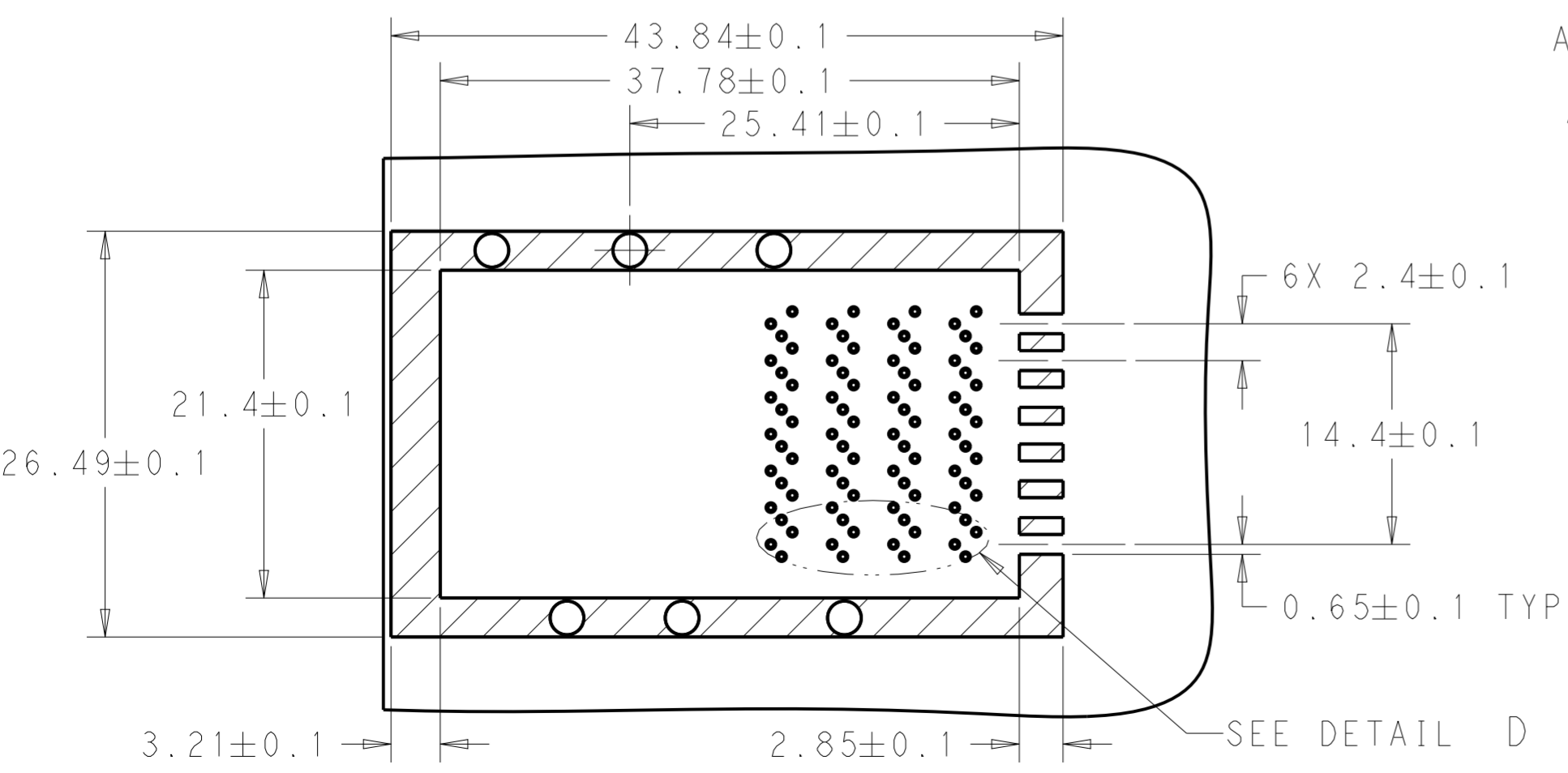
THIS DRAWING IS UNPUBLISHED. RELEASED FOR PUBLICATION 20
 © COPYRIGHT 20 BY - ALL RIGHTS RESERVED.

| REVISIONS | | | | |
|-----------|-----|-------------|------|------|
| P | LTR | DESCRIPTION | DATE | APVD |
| - | - | SEE SHEET 1 | - | - |

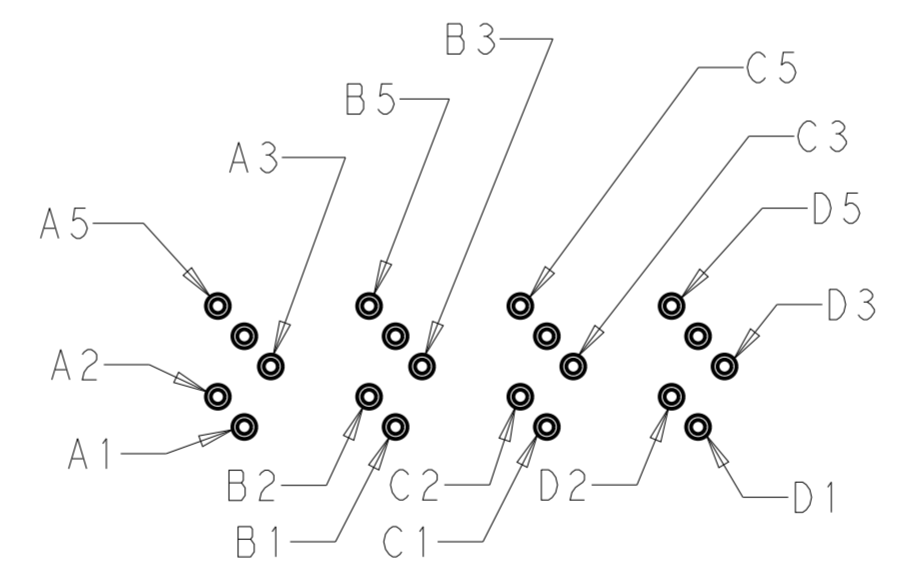
6X $\varnothing 2.2 \pm 0.05$
 $\oplus \varnothing 0.1 \text{ (L) X Y}$
 PLATED THRU



RECOMMENDED PCB LAYOUT
 COMPONENT SIDE SHOWN
 SCALE 4:1

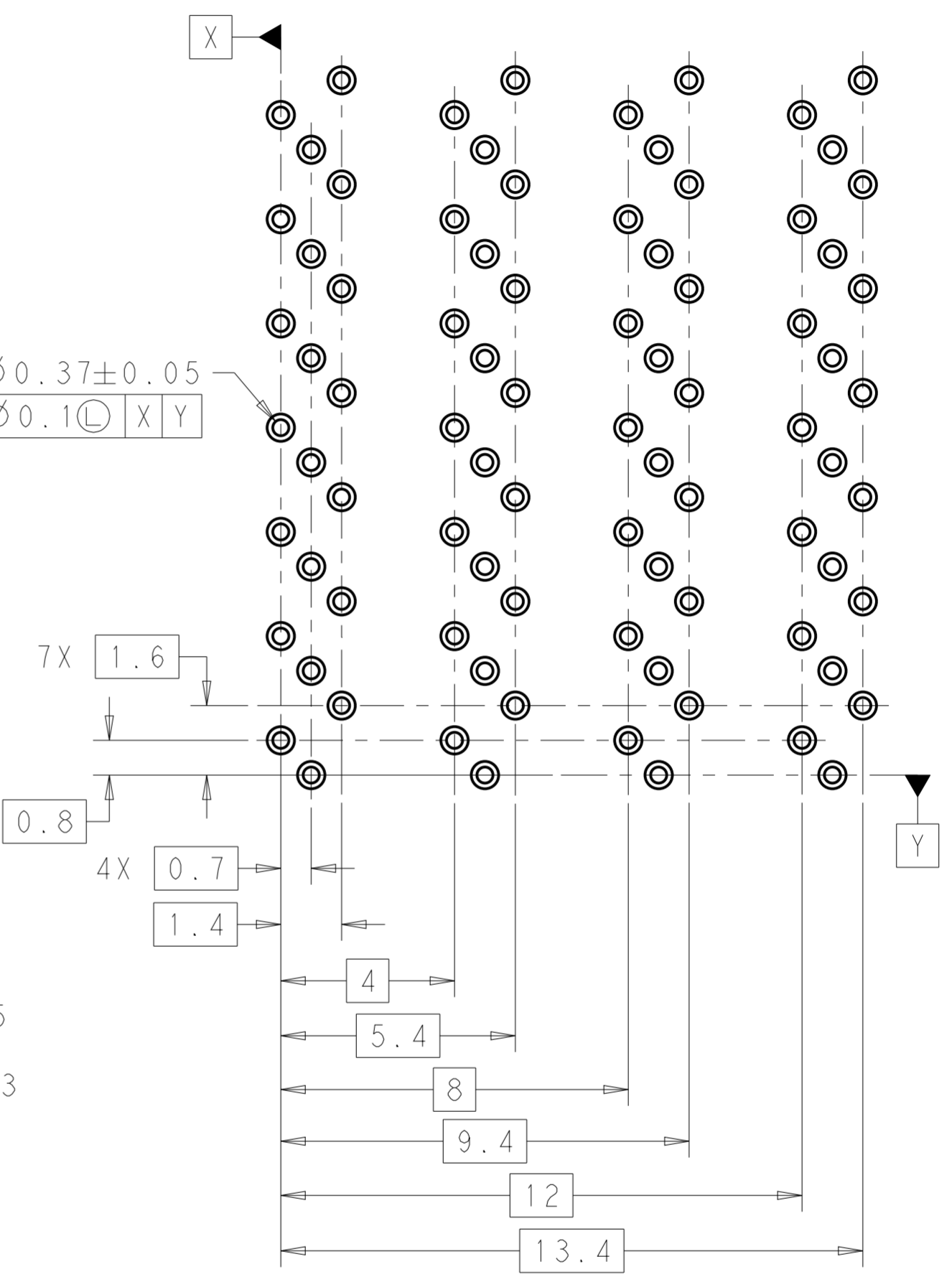


RECOMMENDED KEEPOUT AREA
 SCALE 5:2



DETAIL D
 PIN CALLOUT (TYPICAL)
 SCALE 5:1

84X $\varnothing 0.37 \pm 0.05$
 $\oplus \varnothing 0.1 \text{ (L) X Y}$

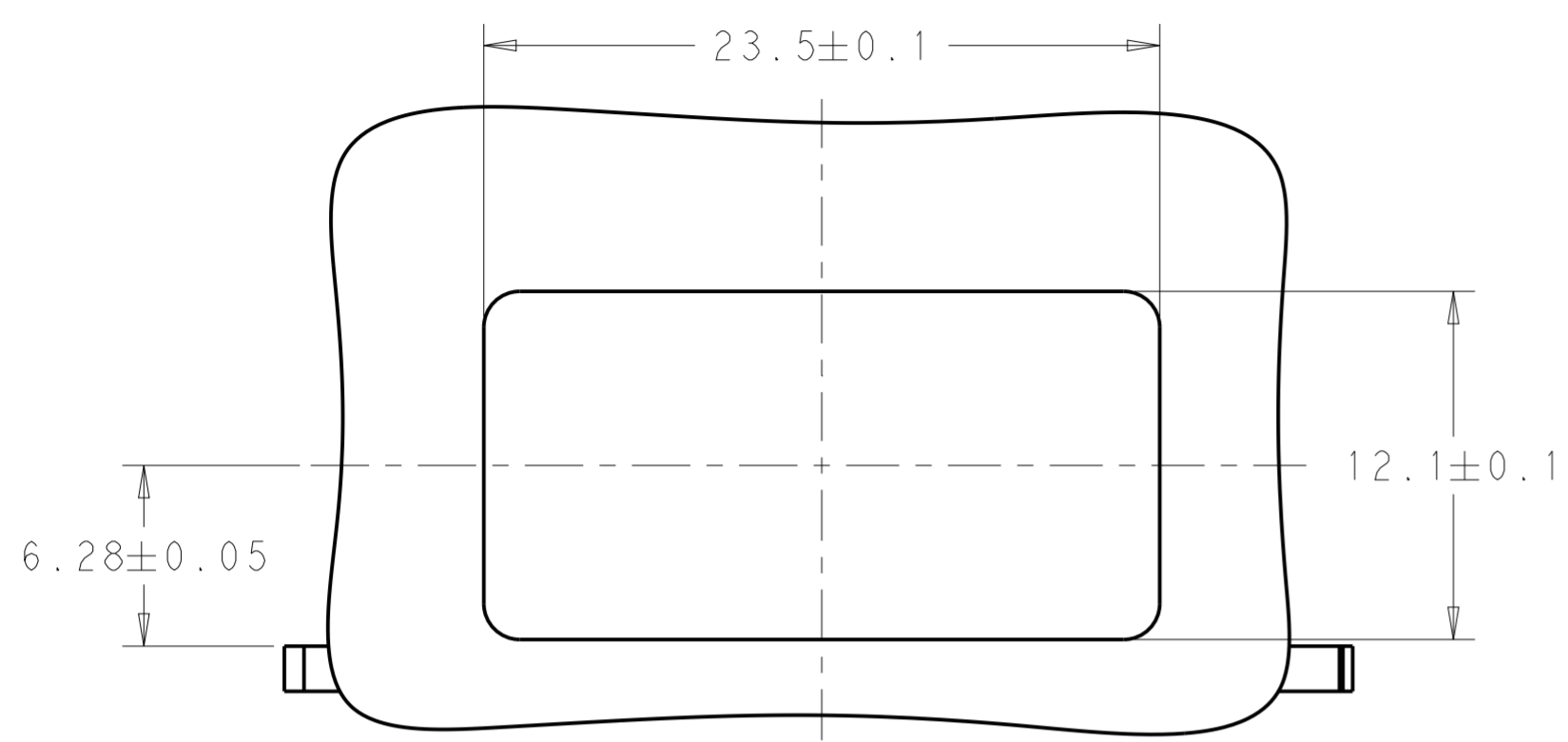


DETAIL C
 RECOMMENDED CONNECTOR LAYOUT
 SCALE 8:1

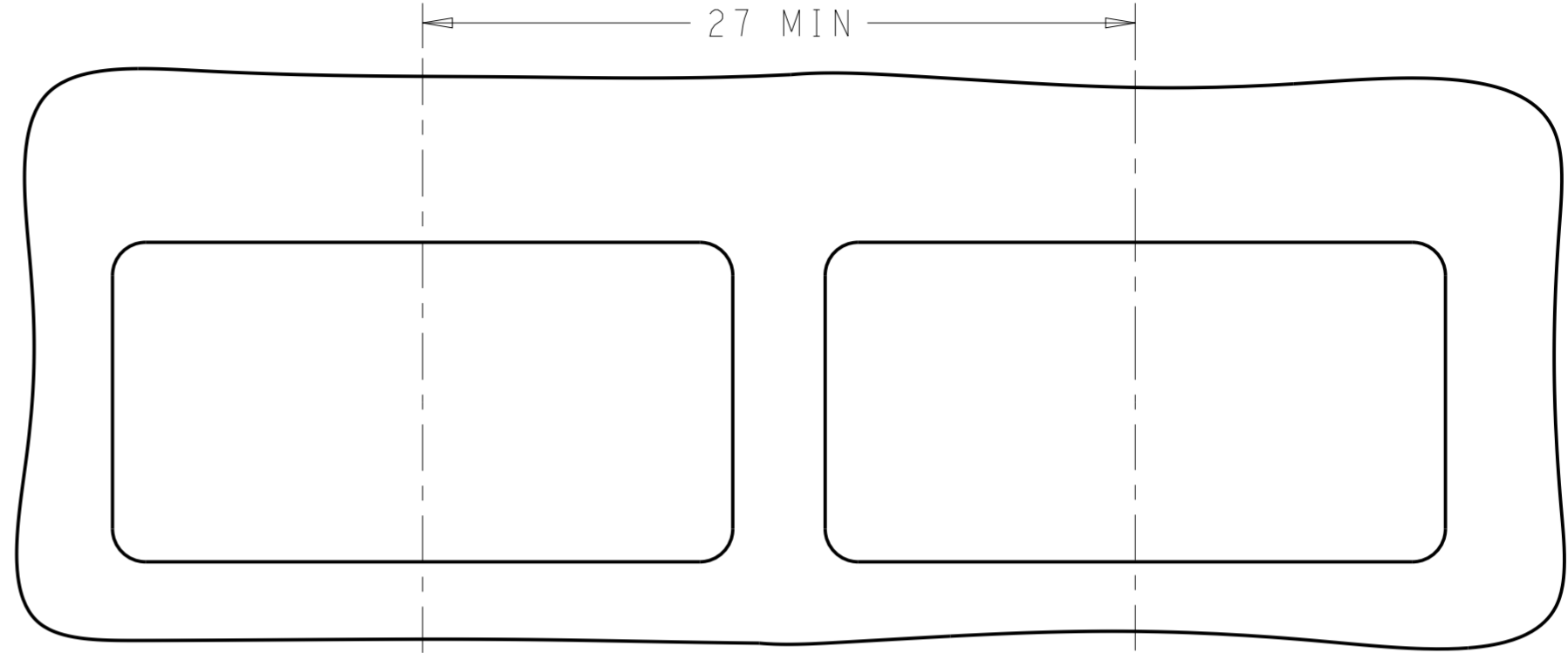
| | | | | |
|---|--|---|--|----------------------|
| THIS DRAWING IS A CONTROLLED DOCUMENT. DIMENSIONING AND TOLERANCING PER ASME Y14.5M-2009 | | DWN: M.E. COWHER 09 JUN 2010 CHK: M.D. MORRISON 10 JUN 2010 APVD: M.D. MORRISON 10 JUN 2010 | STE TE Connectivity | |
| DIMENSIONS: mm | | PRODUCT SPEC: 108-2426 | NAME: RECEPTACLE ASSEMBLY WITH HEAT SINK, 84 POSITION, CXP | |
| TOLERANCES UNLESS OTHERWISE SPECIFIED: 0 PLC ±0.15 1 PLC ±0.15 2 PLC ±0.15 3 PLC ± 4 PLC ± ANGLES ± FINISH ± | | APPLICATION SPEC: 114-13283 | SIZE: A2 | CAGE CODE: 00779 |
| MATERIAL: | | WEIGHT: - | DRAWING NO: C-2149157 | RESTRICTED TO: - |
| Customer Drawing | | | SCALE: 3:1 | SHEET: 4 OF 5 REV: A |

THIS DRAWING IS UNPUBLISHED. RELEASED FOR PUBLICATION 20
 © COPYRIGHT 20 BY - ALL RIGHTS RESERVED.

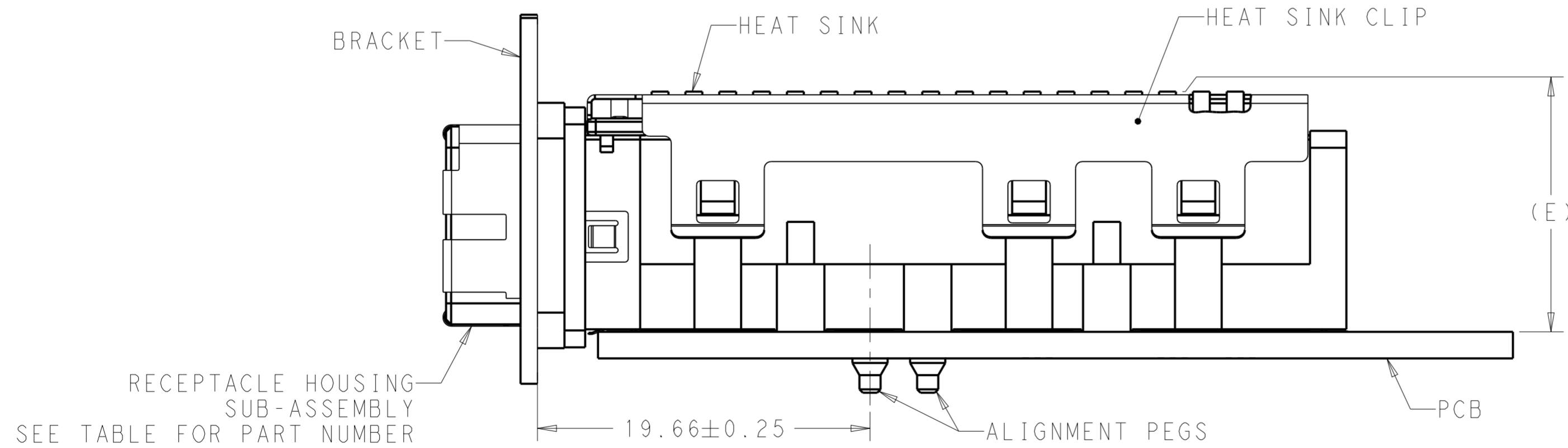
| REVISIONS | | | | |
|-----------|-----|-------------|------|------|
| P | LTR | DESCRIPTION | DATE | APVD |
| - | | SEE SHEET 1 | - | - |
| | | | | |
| | | | | |



RECOMMENDED BRACKET CUT-OUT
SCALE 4:1



RECOMMENDED BRACKET CUT-OUT SPACING
SCALE 4:1



RECOMMEND BRACKET LOCATION AND
HEIGHT OF HEAT SINK MEASURED FROM PCB
SCALE 4:1

| | | | | |
|--|-------------|------------------------------------|---|---------------|
| THIS DRAWING IS A CONTROLLED DOCUMENT. DIMENSIONING AND TOLERANCING PER ASME Y14.5M-2009 | | DWN 09 JUN 2010 M. E. COWHER | TE Connectivity | |
| DIMENSIONS: mm | | CHK 10 JUN 2010 M. D. MORRISON | | |
| TOLERANCES UNLESS OTHERWISE SPECIFIED: | | APVD 10 JUN 2010 M. D. MORRISON | NAME RECEPTACLE ASSEMBLY WITH HEAT SINK, 84 POSITION, CXP | |
| 0 PLC ±0.15 | 1 PLC ±0.15 | PRODUCT SPEC 108-2426 | SIZE | RESTRICTED TO |
| 2 PLC ±0.15 | 3 PLC ± | APPLICATION SPEC 114-13283 | CAGE CODE | |
| 4 PLC ± | ANGLES ± | WEIGHT - | DRAWING NO. A200779 | |
| MATERIAL FINISH | | Customer Drawing | C-2149157 | |
| SCALE 4:1 | | | SHEET 5 OF 5 | REV A |

Mouser Electronics

Authorized Distributor

Click to View Pricing, Inventory, Delivery & Lifecycle Information:

[TE Connectivity:](#)

[2149157-3](#)