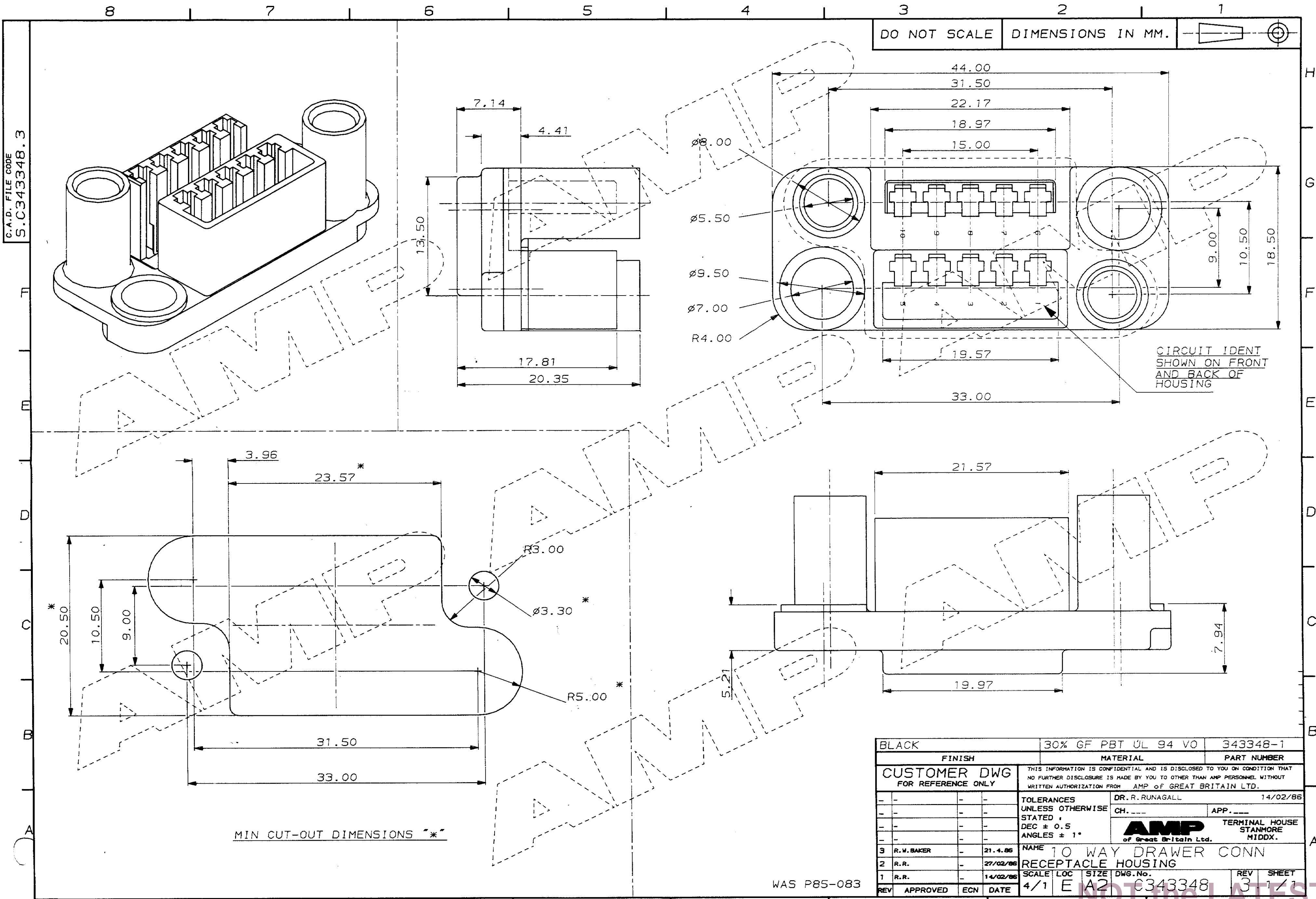


C.A.D. FILE CODE  
S.C343348.3

DO NOT SCALE DIMENSIONS IN MM.



MIN CUT-OUT DIMENSIONS "\*"

CIRCUIT IDENT  
SHOWN ON FRONT  
AND BACK OF  
HOUSING

BLACK		30% GF PBT UL 94 V0		343348-1	
FINISH		MATERIAL		PART NUMBER	
CUSTOMER DWG FOR REFERENCE ONLY			THIS INFORMATION IS CONFIDENTIAL AND IS DISCLOSED TO YOU ON CONDITION THAT NO FURTHER DISCLOSURE IS MADE BY YOU TO OTHER THAN AMP PERSONNEL WITHOUT WRITTEN AUTHORIZATION FROM AMP OF GREAT BRITAIN LTD.		
TOLERANCES UNLESS OTHERWISE STATED : DEC ± 0.5 ANGLES ± 1°		DR. R. RUNAGALL		14/02/86	
3 R.V. BAKER		21.4.86		NAME 10 WAY DRAWER CONN	
2 R.R.		27/02/86		RECEPTACLE HOUSING	
1 R.R.		14/02/86		SCALE LOC SIZE DWG.No.	
REV APPROVED ECN DATE		4/1 E A2		C3433348	
				REV SHEET	
				3 1/1	

WAS P85-083

NOT THE LATEST  
REVISION