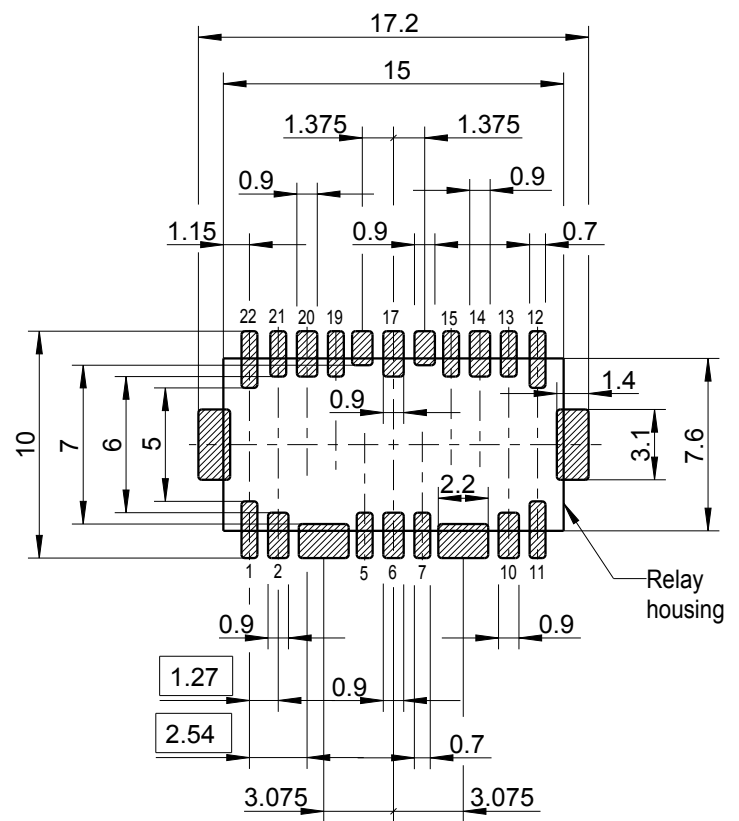
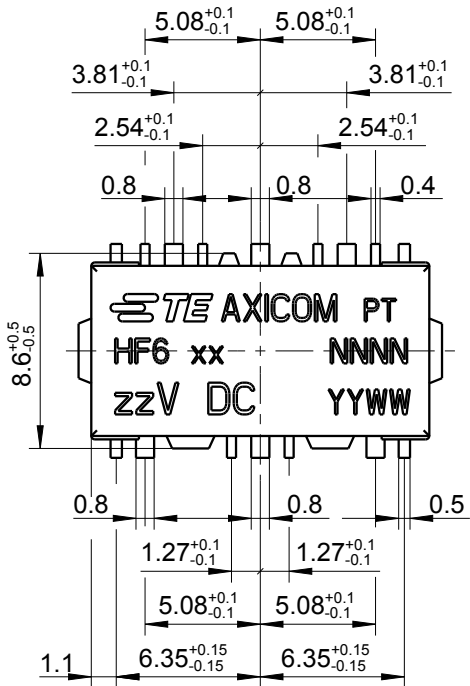
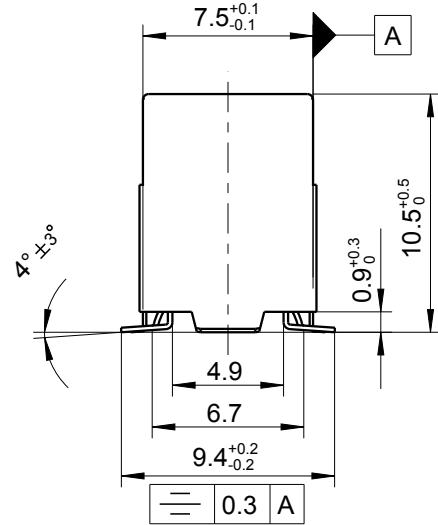
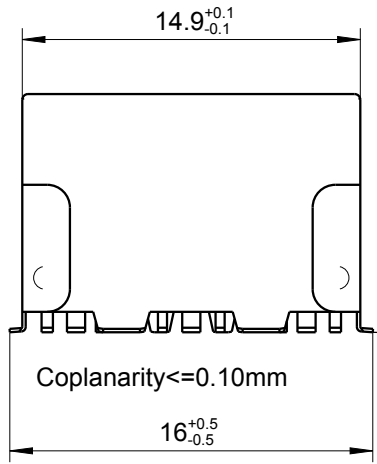


| LOC | DIST | REVISIONS | | | | | |
|-----|------|-----------|-----|---|-----------|-----|------|
| | | P | LTR | DESCRIPTION | DATE | DWN | APVD |
| HJ | - | | E | New Coplanarity, Solder Pad Layout | 15JAN2010 | UKo | HD |
| | | | F | Printing | 09JUL2010 | UKo | HD |
| | | | F1 | REVISED PER ECO-11-005150 | 25MAR2011 | RK | HMR |
| | | | F2 | REVISED PER ECO-11-017072 (ECR-13-009645) | 14JUN2013 | UKo | AK |
| | | | | | | | |



XX = Relay type
 zz = nominal voltage
 YYWW = Date code
 NNNN = Lot number

2006
 RELEASED FOR PUBLICATION
 ALL RIGHTS RESERVED.
 COPYRIGHT © 2006 BY TE Connectivity
 THIS DRAWING IS UNPUBLISHED.

| | | | | | | | |
|--|------------------|---------------------------|--|----|-----------|------------------|-------|
| DIMENSIONS: mm | DWN UKo 9193 | 06NOV2006 | MATERIAL | - | FINISH | - | |
| | CHK HD 9121 | 06NOV2006 | TE Connectivity | | | | |
| TOLERANCES UNLESS OTHERWISE SPECIFIED: DIN 7168-m | APVD HD 9121 | 06NOV2006 | | | | | |
| 0 PLC ±- | PRODUCT SPEC | - | NAME HF6-Relay 50Ω Dimensions | | | | |
| 1 PLC ±- | APPLICATION SPEC | - | | | | | |
| 2 PLC ±- | WEIGHT | - | SIZE | A4 | CAGE CODE | 00779 | |
| 3 PLC ±- | | DRAWING NO C-1462052-2 | RESTRICTED TO | | | - | |
| 4 PLC ±- | | | | | | CUSTOMER DRAWING | SCALE |