

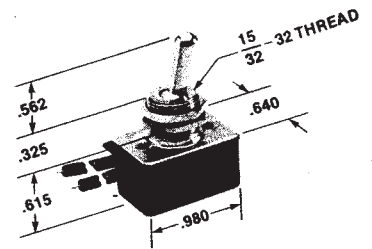
Wire Lead Toggle & Push Button Switches

RATINGS	CIRCUIT	ACTION	TOGGLE		BUSHING LENGTH	CATALOG NUMBER	TYPE OF TERMINATION	ACTUATOR MATERIAL
			TYPE	LENGTH				

6600 SERIES TOGGLE

Optional Lead Lengths Available Upon Request

10A-125VAC 8A-125V 4A-250V 1/3 HP, 125VAC	SPST	OFF-ON	BAT	.562	.325	6600	6" WIRE LEADS 1/2" STRIPPING #18 GAUGE	NICKEL PLATED BRASS
			BAT	.812	.325	6601		
			BAT	.687	.468	6601-100		
			BALL	.375	.325	6602		
			BAT	.562	.325	6603		PLASTIC
12A-125VAC 8A-125V 4A-250V 1/3 HP, 125VAC	SPST	OFF-ON	BAT	.562	.325	6630	6" WIRE LEADS 1/2" STRIPPING #16 GAUGE	NICKEL PLATED BRASS
			BAT	.812	.325	6631		
			BAT	.687	.468	6631-100		
			BALL	.375	.325	6632		
15A-125VAC 1/2 HP, 125VAC	SPST	OFF-ON	BAT	.562	.325	6606	6" WIRE LEADS 1/2" STRIPPING #16 GAUGE	NICKEL PLATED BRASS
			BAT	.812	.325	6607		
			BAT	.687	.468	6607-100		
			BALL	.375	.325	6608		

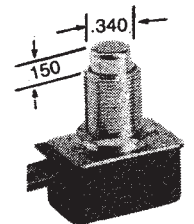


RATINGS	CIRCUIT	ACTION	ACTUATOR	CATALOG NUMBER	TYPE OF TERMINATION
---------	---------	--------	----------	----------------	---------------------

6611 & 6612 SERIES PUSHBUTTON

Optional Lead Lengths Available Upon Request

10A-125VAC 8A-125V 4A-250V 1/3HP-125VAC	SPST	PUSH ON/PUSH OFF	METAL PLUNGER	6611	6" WIRE LEADS 1/2" STRIPPING #18 GAUGE
			METAL LOW PROFILE	6611-LP	
			NYLON PLUNGER	6612	
12A-125VAC 8A-125V 4A-250V 1/3HP-125VAC	SPST	PUSH ON/PUSH OFF	METAL PLUNGER	6641	6" WIRE LEADS 1/2" STRIPPING #16 GAUGE
			METAL LOW PROFILE	6641-LP	
			NYLON PLUNGER	6642	
15A-125VAC 1/2HP-125VAC	SPST	PUSH ON/PUSH OFF	METAL PLUNGER	6616	6" WIRE LEADS 1/2" STRIPPING #16 GAUGE
			METAL LOW PROFILE	6616-LP	
			NYLON PLUNGER	6617	



6 SERIES L.P.

SPECIFICATIONS

Agency Listings

CSA Certified

Contact Mechanism

Quick-Make/Quick-Break Wiping Action

Contact Material

6600-6632 Series: Copper Alloy

6611-6642 Series: Copper Alloy

6606-6608 Series:

6616-6617 Series:

Stationary - Copper Alloy With Silver Cadmium Oxide Inlay

Movable - Copper Alloy/Silver Plated

Dielectric Strength

1000 Volts RMS Minimum

Mounting Means

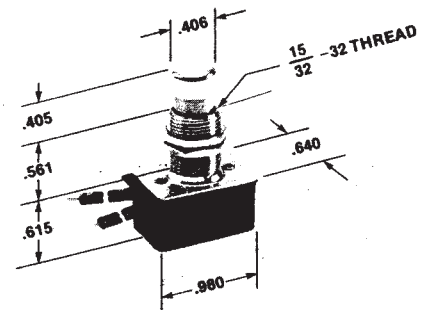
15/32" Diameter Threaded Bushing

Keyway .078-.083 Wide X .037-.043 Deep

Standard Hardware Supplied —

One Hex Nut Assembled And

One Hex Nut Unassembled



Mouser Electronics

Authorized Distributor

Click to View Pricing, Inventory, Delivery & Lifecycle Information:

[Electroswitch:](#)

[6612](#) [6600](#)