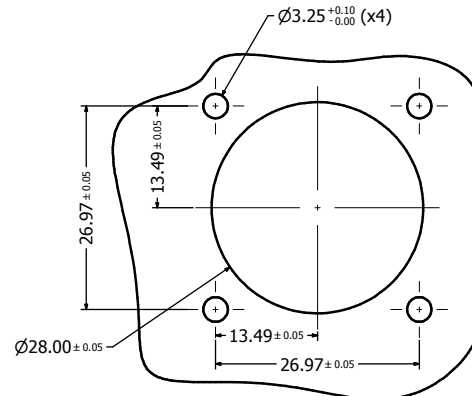
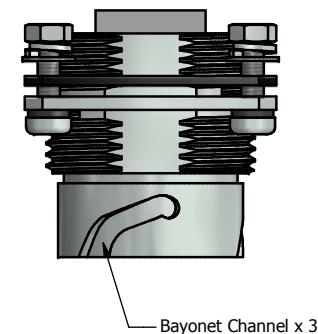


Recommended Double-D Panel Cutout



Recommended Round Panel Cutout



Bayonet Channel x 3

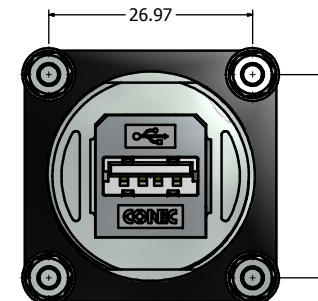
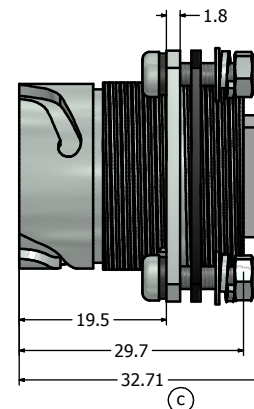
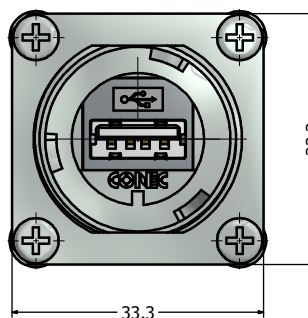
Notes:

- Electrical Specifications:
 - Meets USB 2.0 Specification
 - Contact Resistance: 30 mOhm max.
 - Insulation Resistance: 1000 MOhm min. @ 100 VDC
 - Current Rating: 1.5 A max. at 25°C
 - Working Voltage: 30 V (RMS) max.
 - DWV: 500 VAC/60s at sea level
 - Operating Temperature: -40°C to +85°C

2. Material and Finish:

- Receptacle Housing (with Flange): Zinc Die-Cast, Finish: Nickel Plated
- Panel Gasket: NBR, Color: Black
- M3 Mounting Hardware: Stainless Steel
- Includes 4 x (Screw + Nut + Flat Washer + Spring Lock Washer)
- USB Adaptor Insulator: PBT, UL94 V-0, Black
- USB Adaptor Metal Shell: Copper Alloy, Nickel Plated
- USB Adaptor Overmold material: PBT UL94 V-0, Color: Black
- USB Contacts: Copper Alloy, Finish: 30 u" Gold min. over Nickel

- Connector can be front or rear mounted to a maximum panel thickness of 3.2 mm.
- IP67 rated when fully mated with appropriate mating connector
- Hardware shipped unassembled
- Recommended mounting torque is 8 to 10 lb-inch



Pin-Assignment

Type A Female	Type A Female
Pin1 ----- Pin1	Pin1 ----- Pin1
Pin2 ----- Pin2	Pin2 ----- Pin2
Pin3 ----- Pin3	Pin3 ----- Pin3
Pin4 ----- Pin4	Pin4 ----- Pin4
Shell ----- Shell	Shell ----- Shell

Directive 2002/95/EC RoHS Compliant

THIS DRAWING MAY NOT BE COPIED OR REPRODUCED IN ANY MANNER AND MAY NOT BE PASSED ON TO A THIRD PARTY WITHOUT WRITTEN PERMISSION. OWNERSHIP AND COPYRIGHT OF CONEC CORPORATION.	Customer:			Tolerance Unless otherwise specified			Scale:	Dim. in mm		
	Name		Title	Approval Date	0 PLC ± 0.30		Autodesk Inventor	Material: See Notes		
					1 PLC ± 0.20	2012		Date	Name	
					2 PLC ± 0.10	Draw.		Sept. 27	Vincent Ke	
				3 PLC ± 0.05	Appd.	Sept. 27	J. Chaudry	IP67 USB Type A F/F Adaptor Receptacle (with Flange) Assembly Kit Nickel Plated Zinc Die-Cast Version		
				ANGLES ± 1°	Rev.	Changes	Date	Name		
					c	1 x c	May/22/2013	Vincent ke	D-old	DIN A3
					b	1 x b	Mar/05/2013	Vincent Ke		Sheet 1/1
					a	original				
							Drawing No.: 17K1A354			
				Part No.: 17-210111						

Mouser Electronics

Authorized Distributor

Click to View Pricing, Inventory, Delivery & Lifecycle Information:

[CONEC:](#)

[17-210111](#)