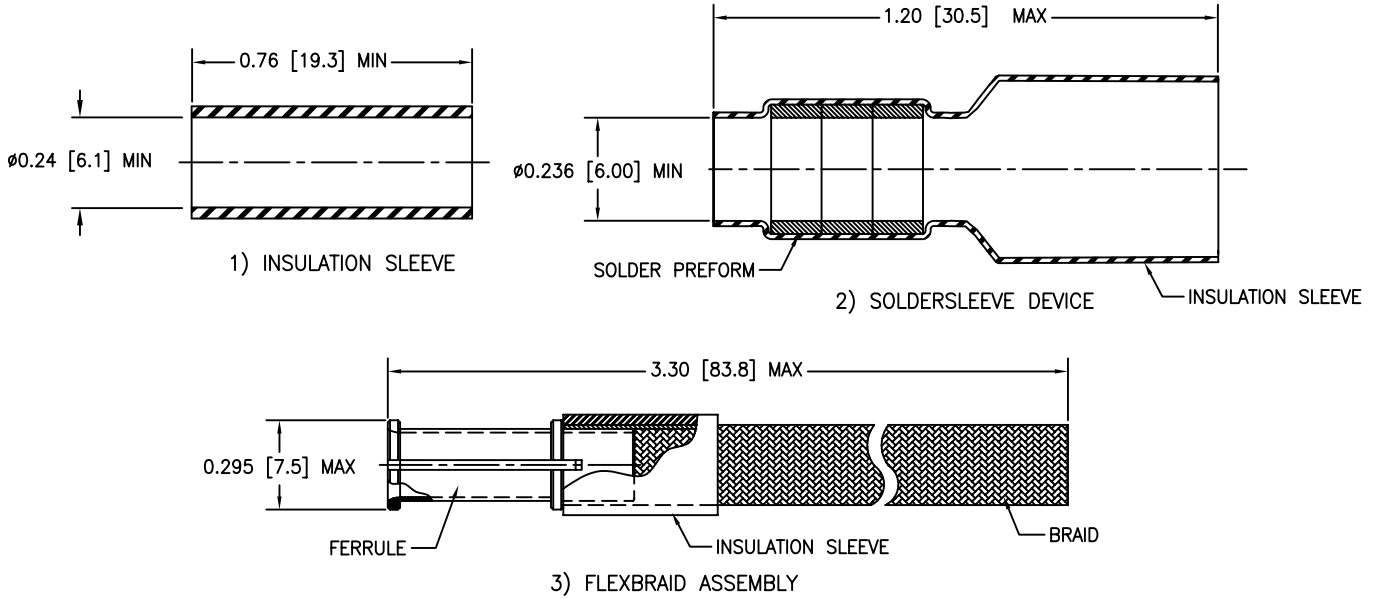


THIS DRAWING AND THE INFORMATION SET FORTH HEREON ARE THE PROPERTY OF TYCO ELECTRONICS CORPORATION, AND ARE TO BE HELD IN TRUST AND CONFIDENCE. PUBLICATION, DUPLICATION, DISCLOSURE, OR USE FOR ANY PURPOSE NOT EXPRESSLY AUTHORIZED IN WRITING BY TYCO ELECTRONICS IS PROHIBITED.

REVISIONS			
LTR	DESCRIPTION	DATE	APPROVED
A1	PRELIMINARY		
B	REVISED PER ECO-09-015832	07/07/09	A. BUI



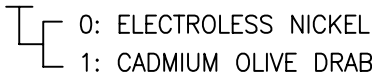
MATERIALS:

- INSULATION SLEEVE: HEAT-SHRINKABLE, TRANSPARENT BLUE, RADIATION CROSS-LINKED POLYVINYLIDENE FLUORIDE.
 - SOLDERSLEEVE DEVICE:
 - INSULATION SLEEVE: HEAT-SHRINKABLE, TRANSPARENT BLUE, RADIATION CROSS-LINKED POLYVINYLIDENE FLUORIDE.
 - SOLDER PREFORM WITH FLUX:
 - SOLDER: Sn96Ag4 PER ANSI/J-STD-006.
 - FLUX: ROM1 PER ANSI/J-STD-004.
 - FLEXBRAID ASSEMBLY:
 - FERRULE: BASE METAL - ALLOY C17200 OR C17300 PER ASTM B196/-196M
 - PLATINGS - ELECTROLESS NICKEL CONFORMING TO SAE AMS-C-26074, CLASS 3, GRADE C
 - CADMIUM OLIVE DRAB CONFORMING TO SAE AMS-QQ-P-416 TYPE II CLASS 3 (500 HOUR SALT SPRAY)
- INSULATION SLEEVE: HEAT-SHRINKABLE, RADIATION CROSS-LINKED POLYVINYLIDENE FLUORIDE.
 BRAID: SILVER PLATED COPPER.

APPLICATION:

- THIS DEVICE IS DESIGNED TO BE USED IN A HEXASHIELDF EMI TERMINATION SYSTEM.

PART NUMBERING: **FLX40-04X-01**



©2007-2009 Tyco Electronics Corporation. All rights reserved.

CUSTOMER DRAWING

UNLESS OTHERWISE SPECIFIED DIMENSIONS ARE IN INCHES. METRIC DIMENSIONS ARE IN BRACKETS.	DRAWN	K. YEE	11/21/07		Raychem Interconnect		
	CHECKED				300 Constitution Drive Menlo Park, CA 94025 U.S.A		
	APPROVED	MPIOZET	11/21/07	TITLE			
	REVISED			FLEXBRAID KIT HEXASHIELDF EMI TERMINATION SYSTEM			
DECIMALS .XXX ± _____ .XX ± _____ ANGLES _____	CAD NAME: FLX40-04X-01			SIZE	CODE IDENT. NO.	DWG. NO.	REV
WEIGHT ---	THIRD ANGLE PROJECTION			A	06090	FLX40-04X-01	B
				DO NOT SCALE THIS DRAWING			SHEET 1 OF 1

Mouser Electronics

Authorized Distributor

Click to View Pricing, Inventory, Delivery & Lifecycle Information:

[TE Connectivity:](#)

[FLX40-041-01](#)