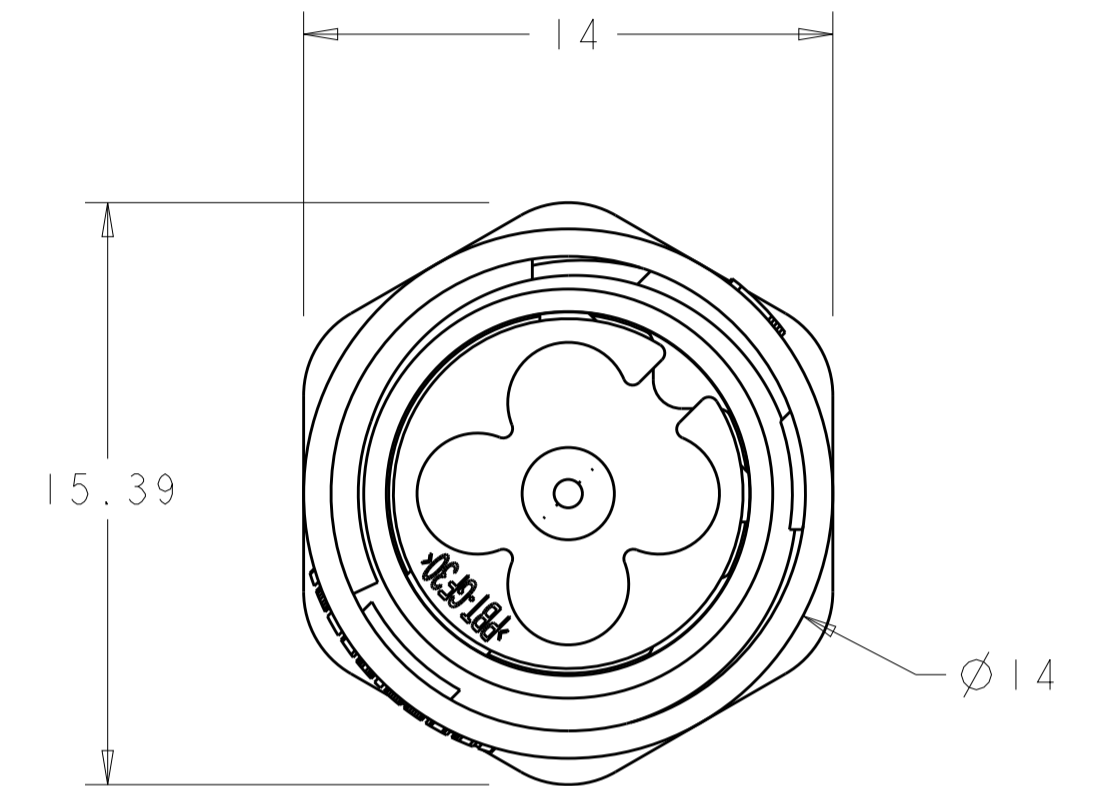
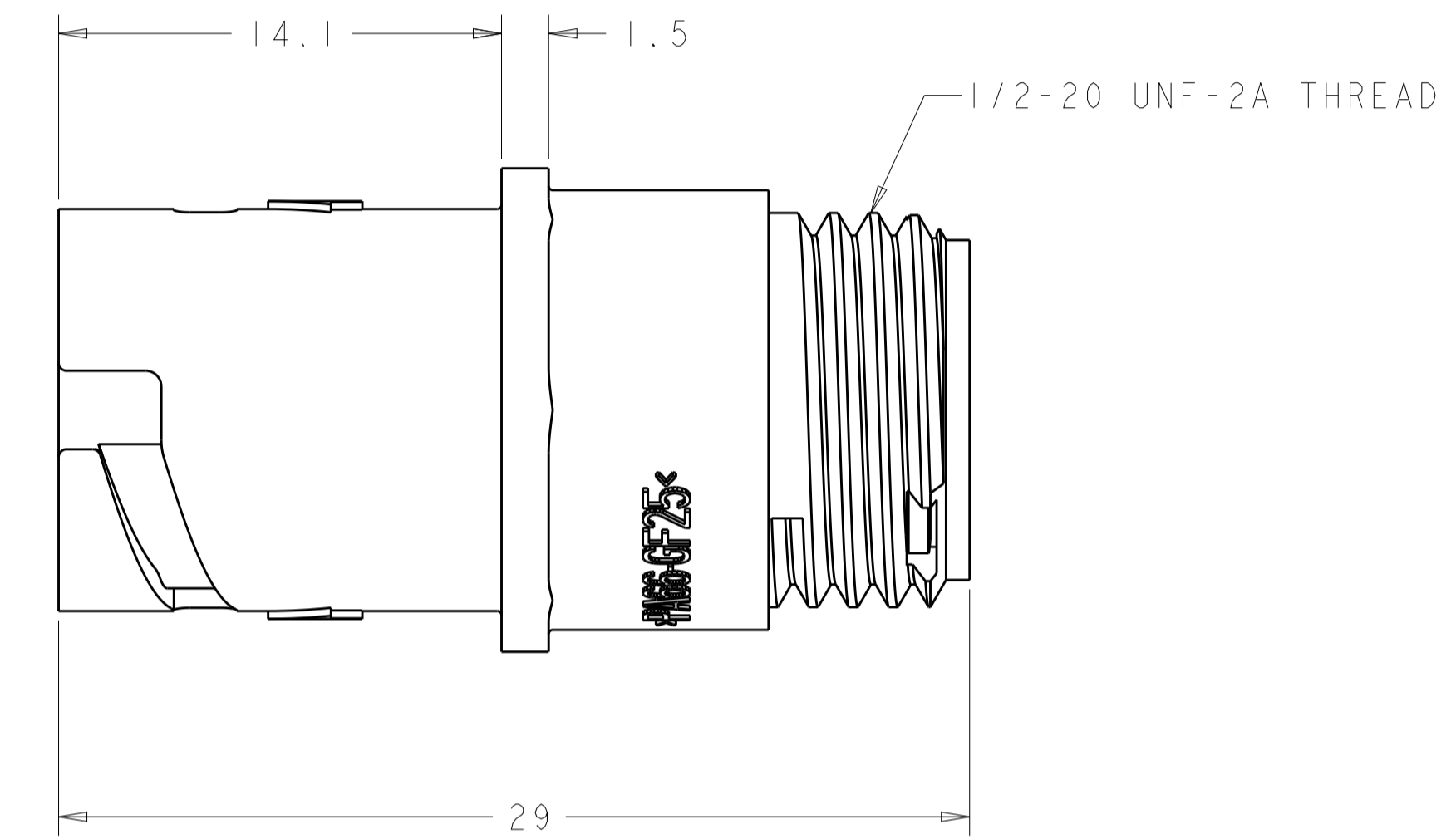
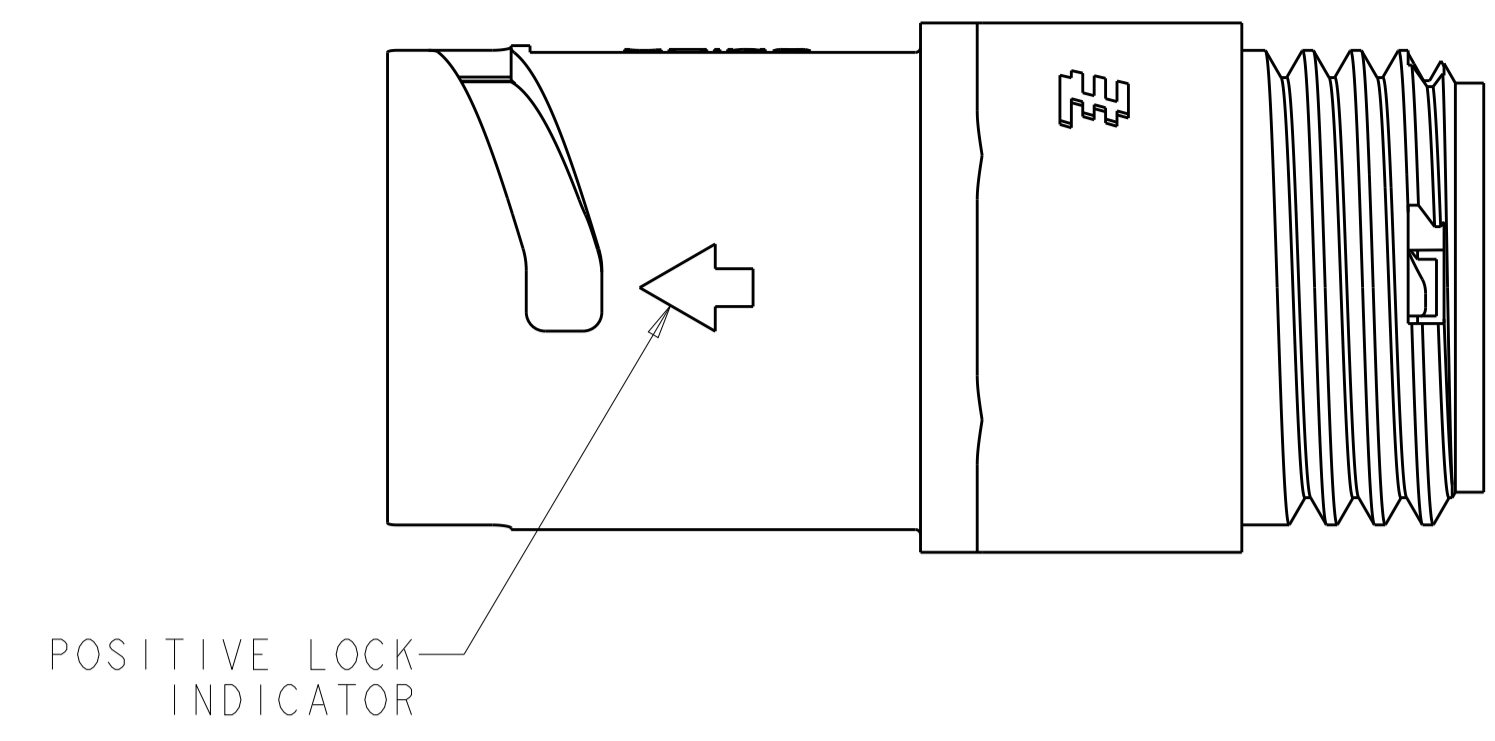
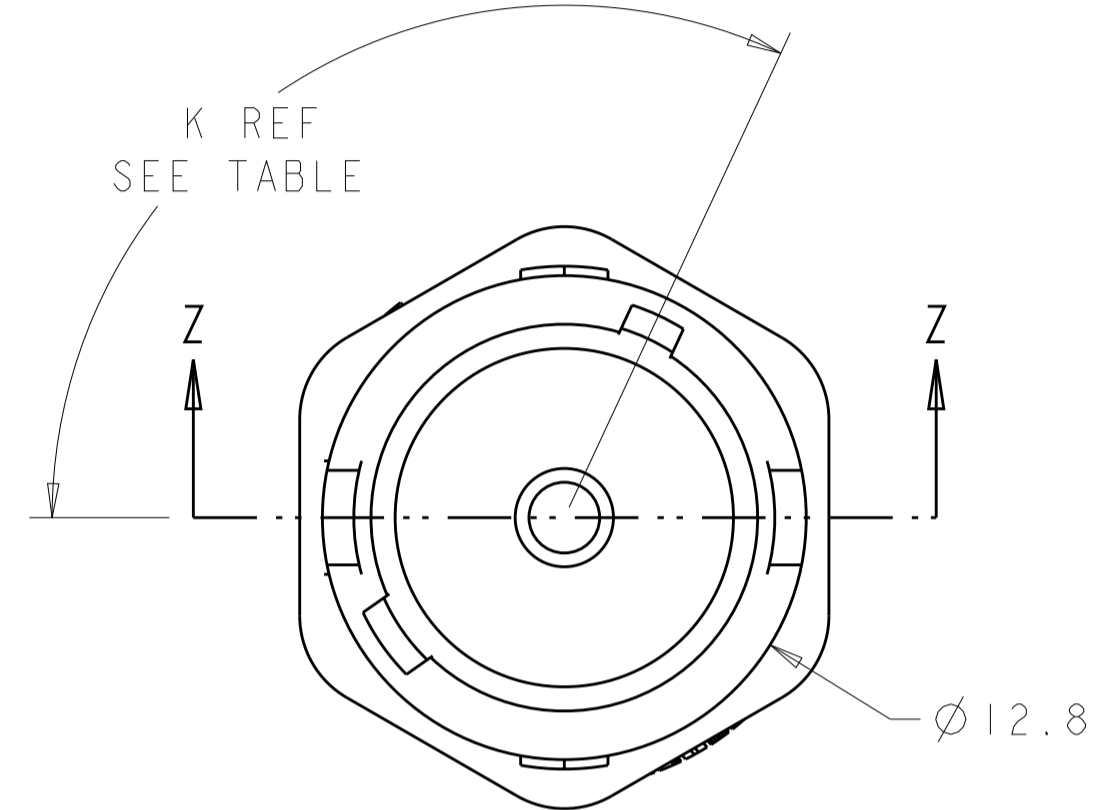
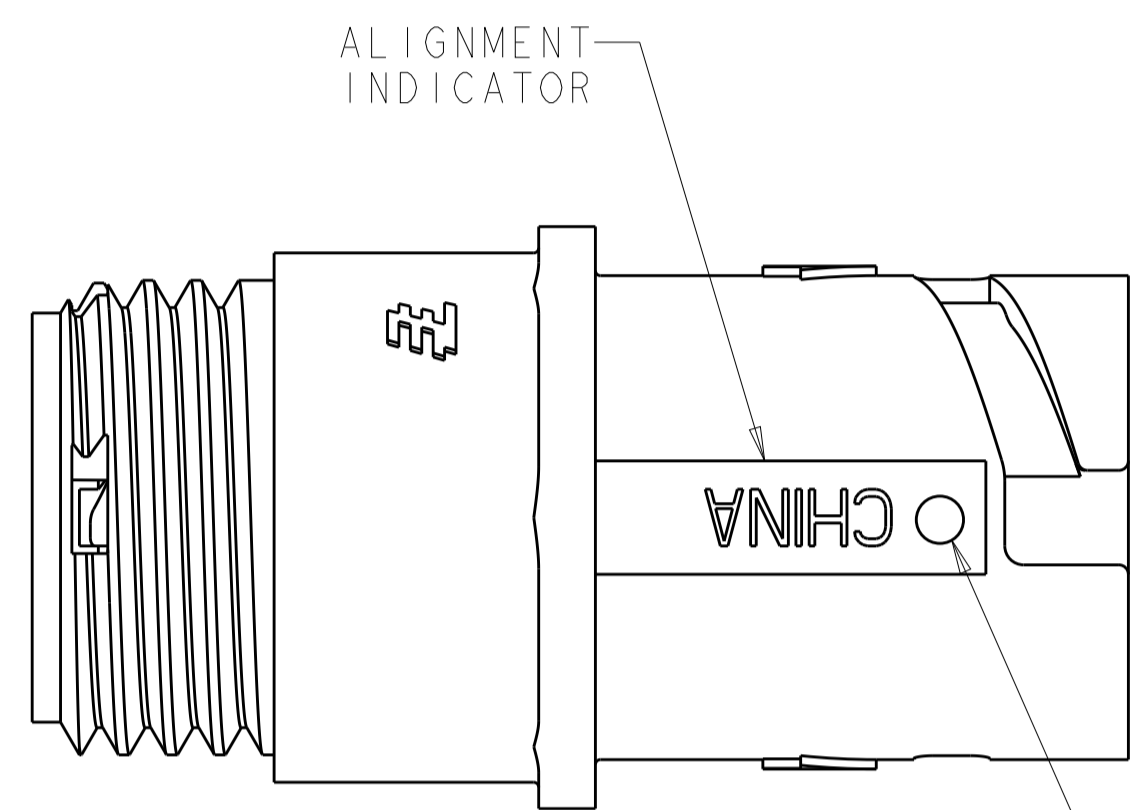
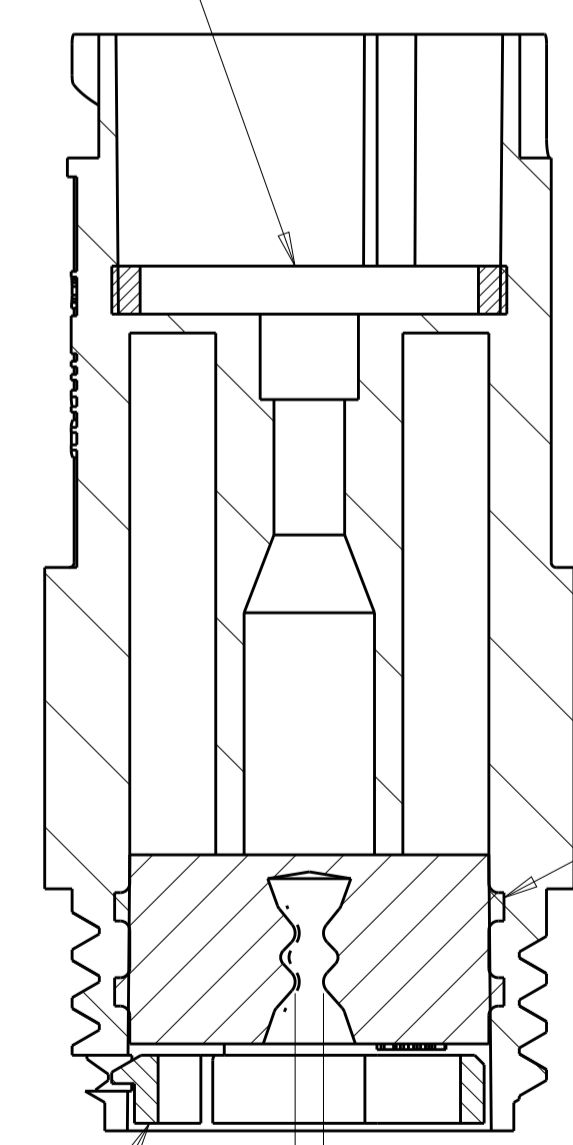


REVISIONS				
P.	LTN	DESCRIPTION	DATE	DWN APVD
B2		REVISED PER ECO-15-010004	11JUL2015	NK MZ
C		REVISED PER ECO-16-018352	24MAR2017	RS MZ



SEAL, PERIPHERAL, 1 REQD.
 MATERIAL: ELASTOMER, COLOR-GRAY



HOUSING, 1 REQD.
 MATERIAL: THERMOPLASTIC, COLOR-BLACK

SEAL, WIRE ENTRY, 1 REQD.
 MATERIAL: ELASTOMER, COLOR-SEE TABLE

RETAINER, SEAL, 1 REQD.
 MATERIAL: THERMOPLASTIC, COLOR-BLACK

Ø X REF
 SEE TABLE

SECTION Z-Z

OBSOLETE	YELLOW	Ø 0.75	130°	1445526-04
	NATURAL	Ø 1.5	115°	1445526-03
OBSOLETE	NATURAL	Ø 1.5	130°	1445526-02
	YELLOW	Ø 0.75	115°	1445526-01
	SEAL, WIRE ENTRY COLOR	Ø X REF	K REF	PART NUMBER

THIS DRAWING IS A CONTROLLED DOCUMENT.		DWN S. WIEST 02MAY2001	TE Connectivity	
DIMENSIONS: mm		CHK G. DOUITY 02MAY2001		
TOLERANCES UNLESS OTHERWISE SPECIFIED:		APVD H. WAKEEM 12JUN2003	NAME ASSEMBLY, RECEPTACLE, SIZE 8, 1 POSITION, FREE HANGING, SEALED, MINI CPC	
0 PLC ±0.5 2 PLC ±0.13 3 PLC ±0.013 4 PLC ±0.001 ANGLES ±0.001		PRODUCT SPEC	SIZE CAGE CODE DRAWING NO. RESTRICTED TO	
MATERIAL SEE CALLOUT		APPLICATION SPEC	A100779C=1445526	
FINISH SEE CALLOUT		WEIGHT	SCALE 5:1 SHEET 1 OF 1 REV C	
		CUSTOMER DRAWING		

Mouser Electronics

Authorized Distributor

Click to View Pricing, Inventory, Delivery & Lifecycle Information:

[TE Connectivity:](#)

[1445526-1](#)