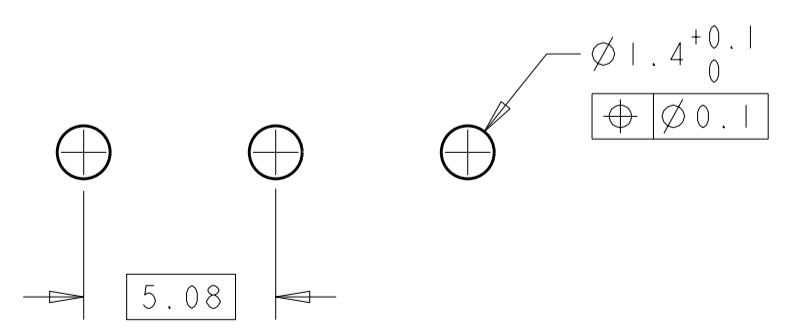
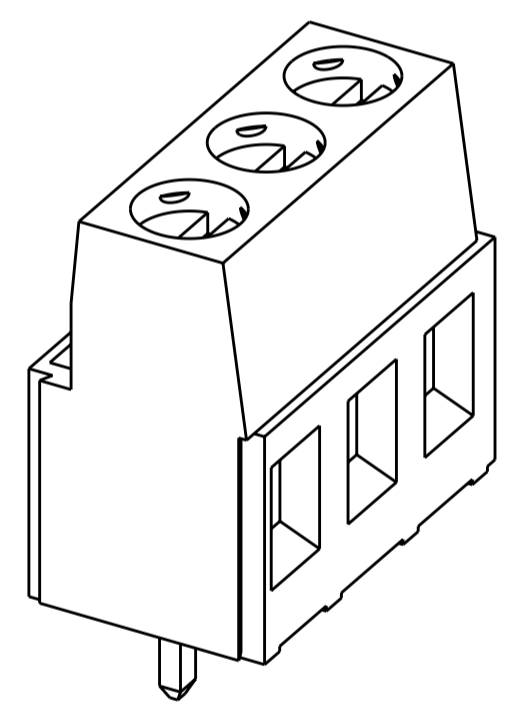
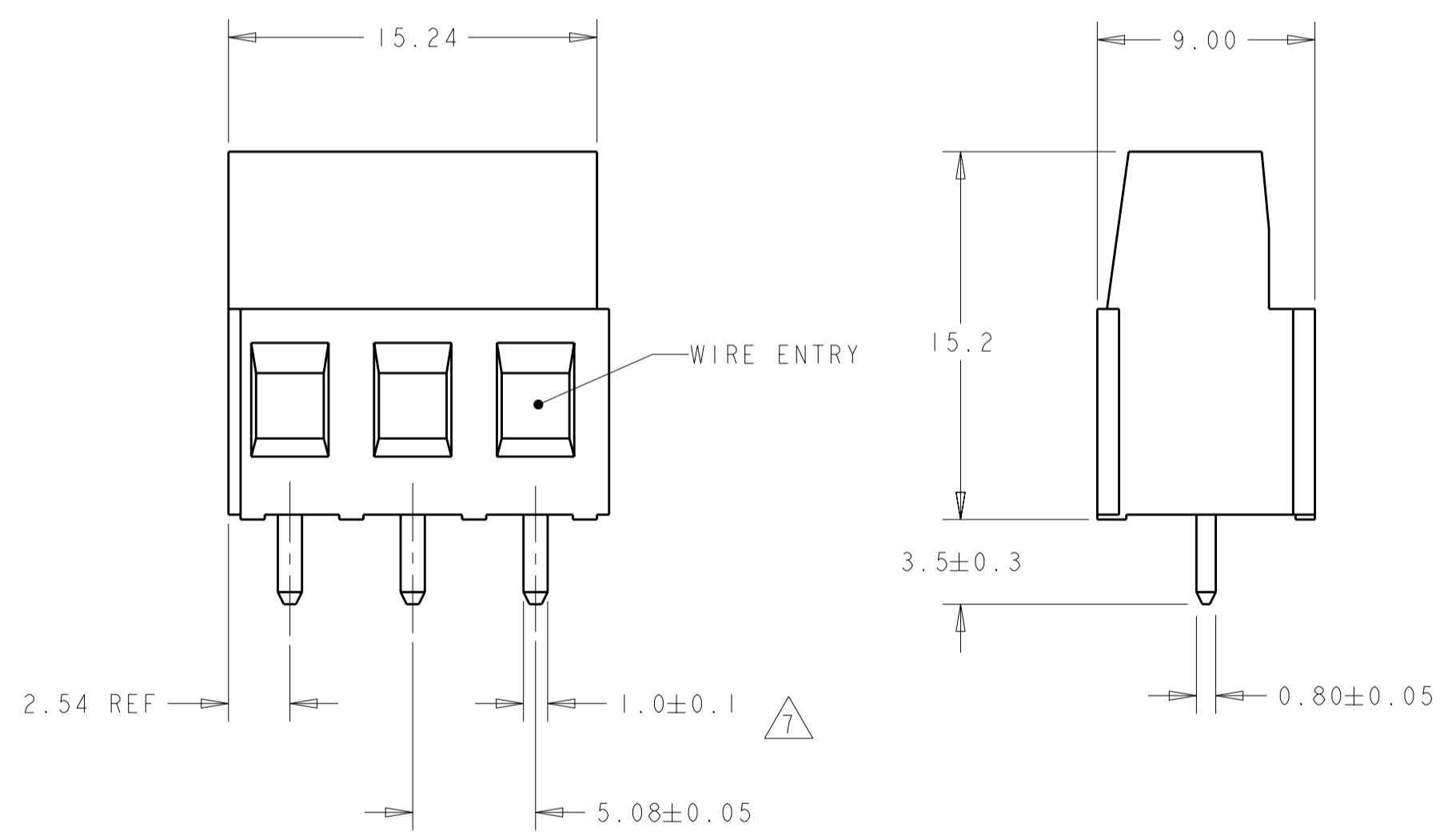
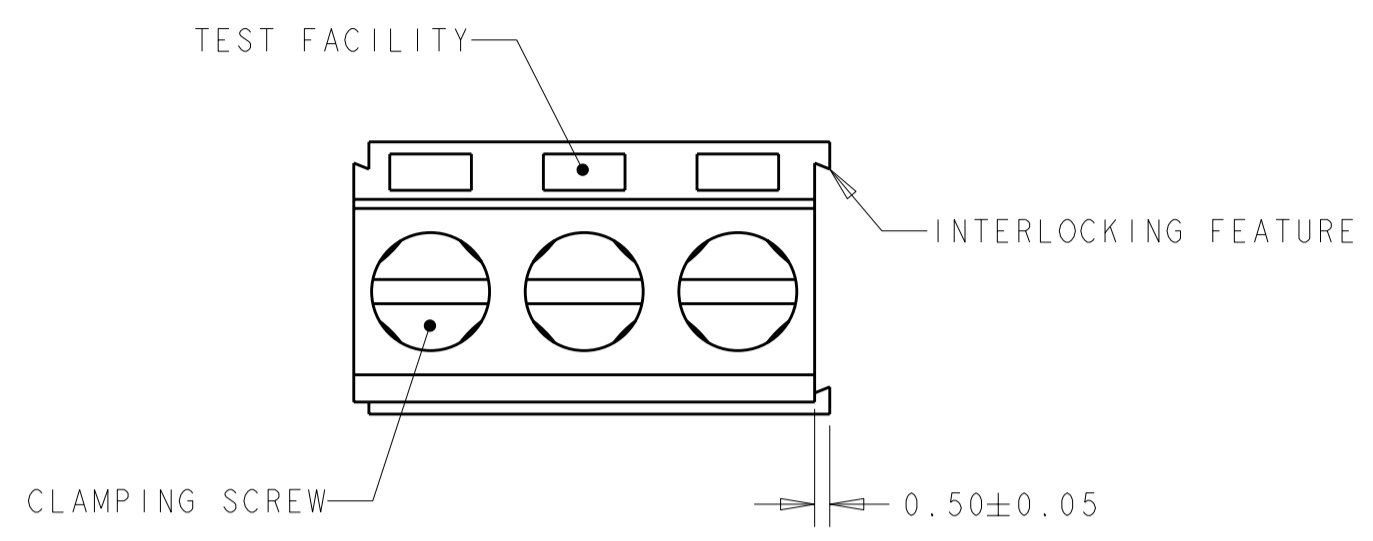


THIS DRAWING IS UNPUBLISHED. RELEASED FOR PUBLICATION 20
 © COPYRIGHT 20 ALL RIGHTS RESERVED.

| LOC | DIST | REVISIONS | | | | | |
|-----|------|-----------|-----|---------------------------|-----------|-----|------|
| FT | 0 | P | LTR | DESCRIPTION | DATE | DWN | APVD |
| | | | DI | REVISED PER ECO-11-005294 | 06APR2011 | RK | HMR |

- 1. MATERIALS AND FINISH:
 HOUSING: PA 6-6, UL 94-V0, COLOR:BLACK.
 CLAMP: BRASS, NICKEL PLATED.
 TERMINAL: BRASS, TIN PLATED.
 CLAMPING SCREW: M3, BRASS, NICKEL PLATED.
- 2. SUITABLE FOR 1,6-2,4mm. PCB THICKNESS.
- 3. END-TO-END STACKABLE W/INTERLOCK WITHOUT LOSS OF CENTERLINE SPACING.
- 4. WIRE SIZE RANGE: 12 - 30 AWG
- 5. RECOGNIZED UNDER THE COMPONENT PROGRAM OF UNDERWRITERS LABORATORIES INC. FILE No E60677.
- 6. IMQ CERTIFICATE WITH SURVEILLANCE IN CONFORMITY WITH IEC 998-1/998-2-1.
- 7. NOT CUMULATIVE TOLERANCE.
- 8. WHITE INK STAMPING.
- 9. BUCHANAN LOGO TO APPEAR ON HOUSING, LOCATION OPTIONAL, WHERE SPACE PERMITS.



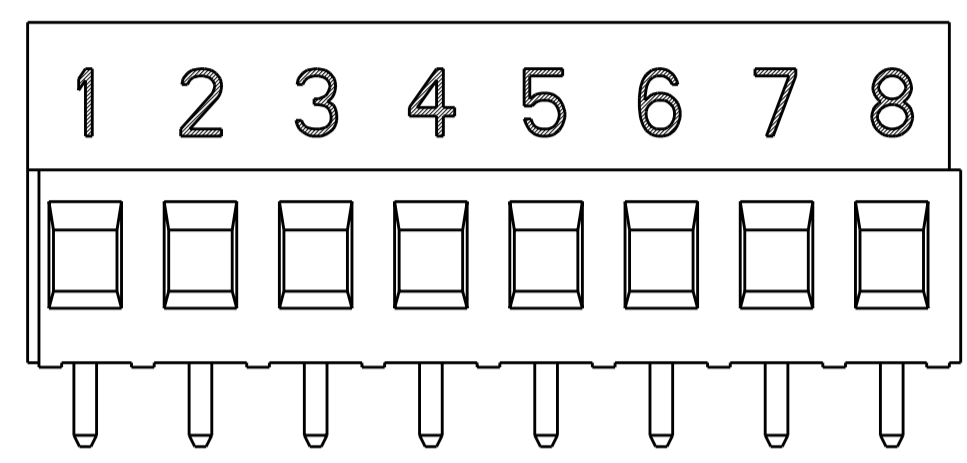
RECOMMENDED PC BOARD LAYOUT
 SCALE 5:1

| | | | |
|--------------|--------|------|-------------|
| SEE DETAIL P | 30.48 | 6 | 3-796949-1 |
| SEE DETAIL N | 10.16 | 2 | 3-796949-0 |
| SEE DETAIL M | 40.64 | 8 | 2-796949-9 |
| SEE DETAIL L | 40.64 | 8 | 2-796949-8 |
| - | 127.00 | 25 | 2-796949-5 |
| - | 121.92 | 24 | 2-796949-4 |
| - | 116.84 | 23 | 2-796949-3 |
| - | 111.76 | 22 | 2-796949-2 |
| - | 106.68 | 21 | 2-796949-1 |
| - | 101.60 | 20 | 2-796949-0 |
| - | 96.52 | 19 | 1-796949-9 |
| - | 91.44 | 18 | 1-796949-8 |
| - | 86.36 | 17 | 1-796949-7 |
| - | 81.28 | 16 | 1-796949-6 |
| - | 76.20 | 15 | 1-796949-5 |
| - | 71.12 | 14 | 1-796949-4 |
| - | 66.04 | 13 | 1-796949-3 |
| - | 60.96 | 12 | 1-796949-2 |
| - | 55.88 | 11 | 1-796949-1 |
| - | 50.80 | 10 | 1-796949-0 |
| - | 45.72 | 9 | 796949-9 |
| - | 40.64 | 8 | 796949-8 |
| - | 35.56 | 7 | 796949-7 |
| - | 30.48 | 6 | 796949-6 |
| - | 25.40 | 5 | 796949-5 |
| - | 20.32 | 4 | 796949-4 |
| - | 15.24 | 3 | 796949-3 |
| - | 10.16 | 2 | 796949-2 |
| MARKING | A | POSN | PART NUMBER |

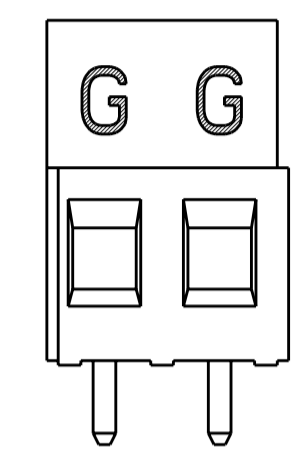
| | | | | | |
|---|--|----------------------------|---|--|---------------------------|
| THIS DRAWING IS A CONTROLLED DOCUMENT. | | DWN S.WELDON 22AUG2001 | TE Connectivity TERMINAL BLOCK PCB MOUNT W/INTERLOCK, 5.08mm PITCH | | |
| DIMENSIONS: mm | | CHK D.BIEVENOUR 22AUG2001 | | | NAME |
| TOLERANCES UNLESS OTHERWISE SPECIFIED: | | APVD D.BIEVENOUR 22AUG2001 | | | SIZE CAGE CODE DRAWING NO |
| 0 PLC ±0 1 PLC ±.3 2 PLC ±.25 3 PLC ±0 4 PLC ±0 ANGLES ±2° FINISH | | PRODUCT SPEC | | | RESTRICTED TO |
| MATERIAL | | APPLICATION SPEC | A200779C-796949 | | |
| | | WEIGHT | SCALE 4:1 SHEET 1 OF 2 REV DI | | |
| | | CUSTOMER DRAWING | | | |

THIS DRAWING IS UNPUBLISHED. RELEASED FOR PUBLICATION 20
 © COPYRIGHT 20 ALL RIGHTS RESERVED.

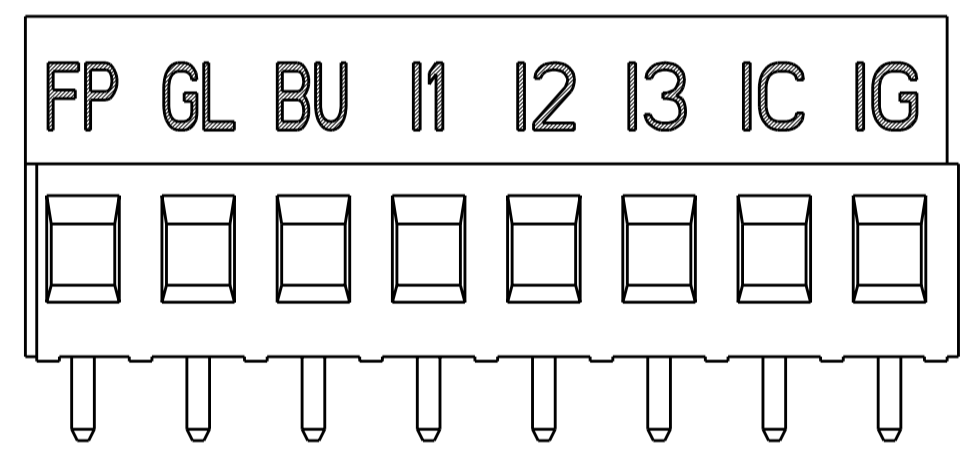
| LOC | DIST | REVISIONS | | | | |
|-----|------|-------------|-------------|-----|------|--|
| P | LTR | DESCRIPTION | DATE | DWN | APVD | |
| FT | 0 | - | SEE SHEET 1 | - | - | |
| | | | | | | |
| | | | | | | |



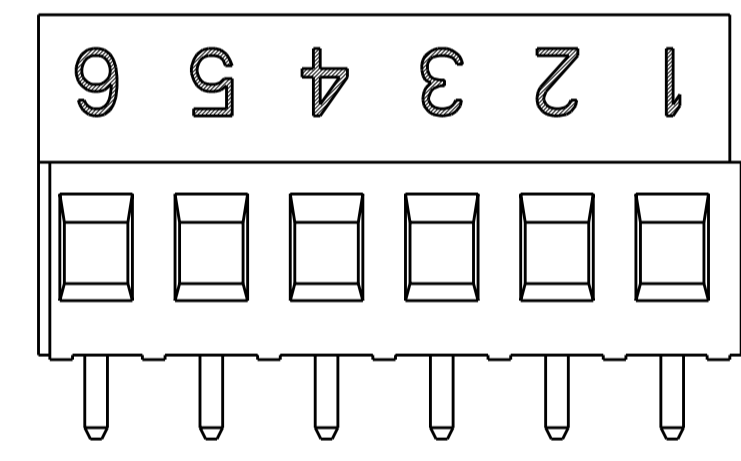
DETAIL L \triangle 8



DETAIL N \triangle 8



DETAIL M \triangle 8



DETAIL P \triangle 8

| | | | | |
|---|---|----------------------|-----------|--|
| THIS DRAWING IS A CONTROLLED DOCUMENT. | | DWN S. WELDON | 22AUG2001 | STE TE Connectivity |
| DIMENSIONS: mm | | CHK D. BIEVENOUR | 22AUG2001 | |
| TOLERANCES UNLESS OTHERWISE SPECIFIED: | | APVD D. BIEVENOUR | 22AUG2001 | |
| <ul style="list-style-type: none"> 0 PLC ±0 1 PLC ±.3 2 PLC ±.25 3 PLC ±0 4 PLC ±0 ANGLES ±2° FINISH | | PRODUCT SPEC | - | |
| MATERIAL | - | APPLICATION SPEC | - | NAME TERMINAL BLOCK PCB MOUNT W/INTERLOCK, 5.08mm PITCH |
| - | | WEIGHT | - | SIZE CAGE CODE DRAWING NO RESTRICTED TO |
| - | | CUSTOMER DRAWING | SCALE 4:1 | A200779C-796949 - |
| - | | SHEET 2 OF 2 | | REV D1 |

Mouser Electronics

Authorized Distributor

Click to View Pricing, Inventory, Delivery & Lifecycle Information:

[TE Connectivity:](#)

[796949-8](#)