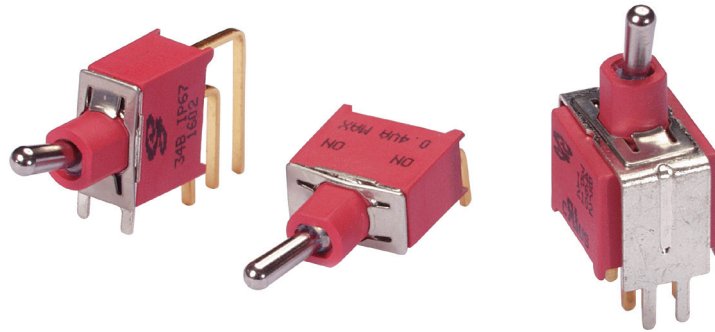


**SERIES 34B**  
Sealed Miniature Toggle Switches

**FEATURES**

- Save Space and Weight
- SPDT, DPDT, and 3PDT Circuitry
- Choice of Actuators, Bushings and Terminations
- Sealed per IP67



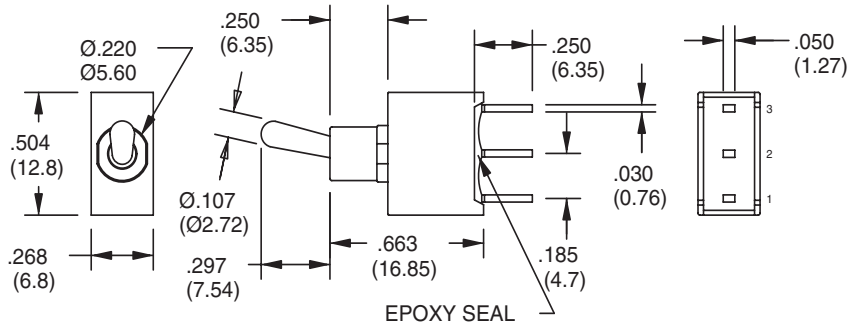
**MODELS** in inches (and millimeters)

**SPDT**

Model No.	Switching Position		
WSP1	ON	NONE	ON
WSP2	ON	NONE	(ON)
WSP3	ON	OFF	ON
WSP4	(ON)	OFF	(ON)
WSP5	ON	OFF	(ON)
Term. Comm.	2-3	OPEN	2-1

( )=MOMENTARY

SCHEMATIC

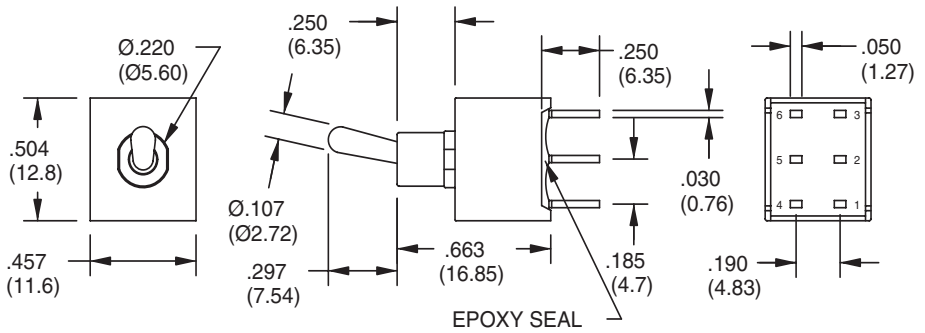
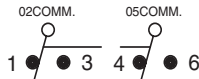


**DPDT**

Model No.	Switching Position		
WDP1	ON	NONE	ON
WDP2	ON	NONE	(ON)
WDP3	ON	OFF	ON
WDP4	(ON)	OFF	(ON)
WDP5	ON	OFF	(ON)
Term. Comm.	2-3 5-6	OPEN	2-1 5-4

( )=MOMENTARY

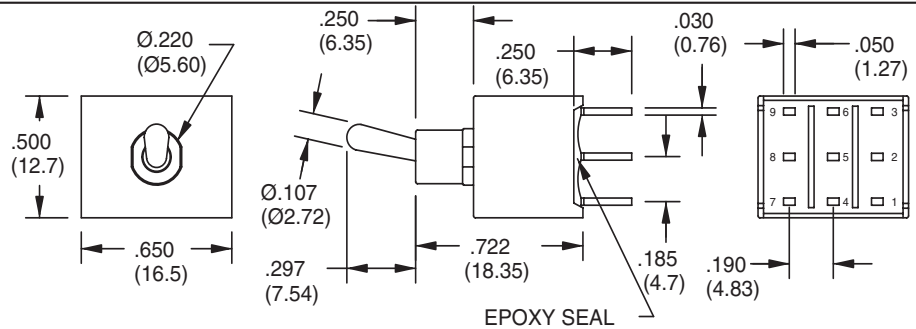
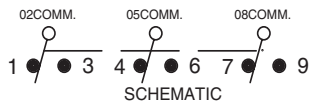
SCHEMATIC



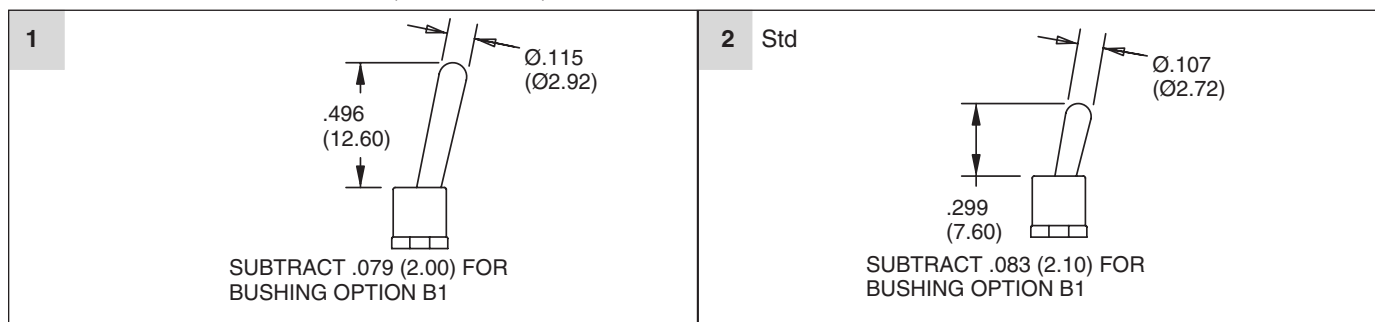
**3PDT**

Model No.	Switching Position		
W3P1	ON	NONE	ON
W3P2	ON	NONE	(ON)
W3P3	ON	OFF	ON
W3P4	(ON)	OFF	(ON)
W3P5	ON	OFF	(ON)
Term. Comm.	2-3 5-6	OPEN	2-1 5-4

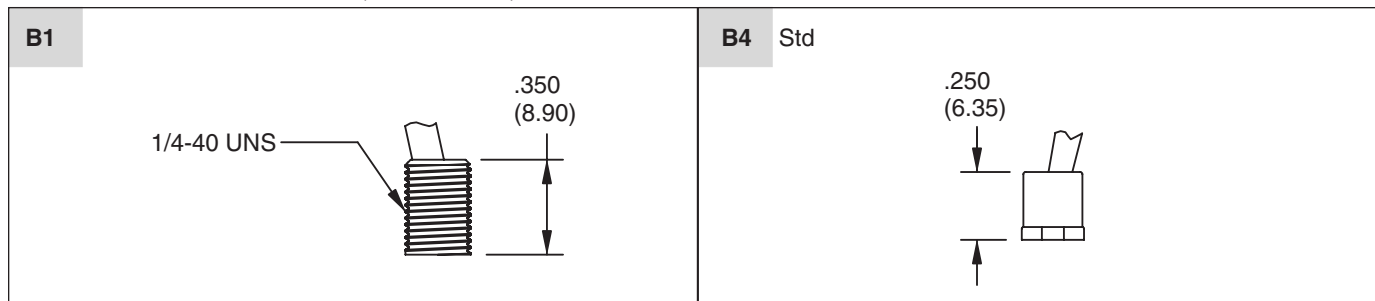
( )=MOMENTARY



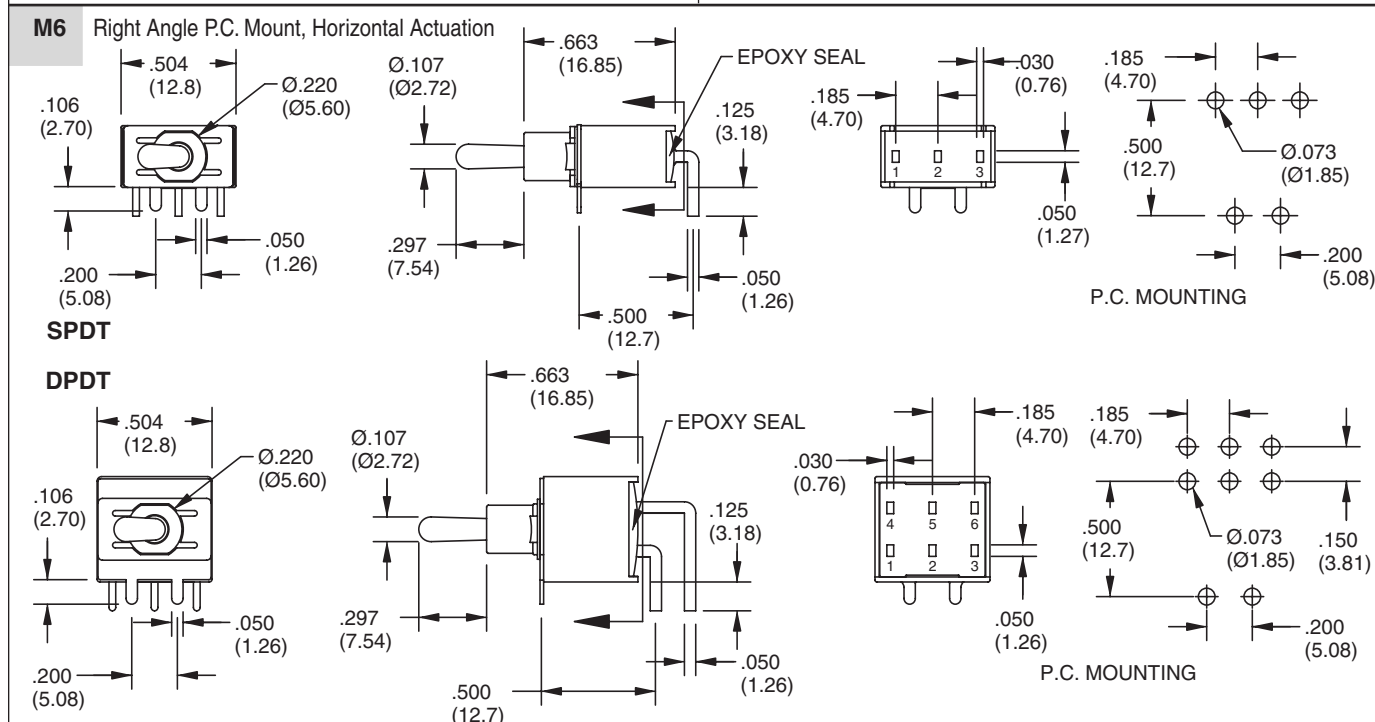
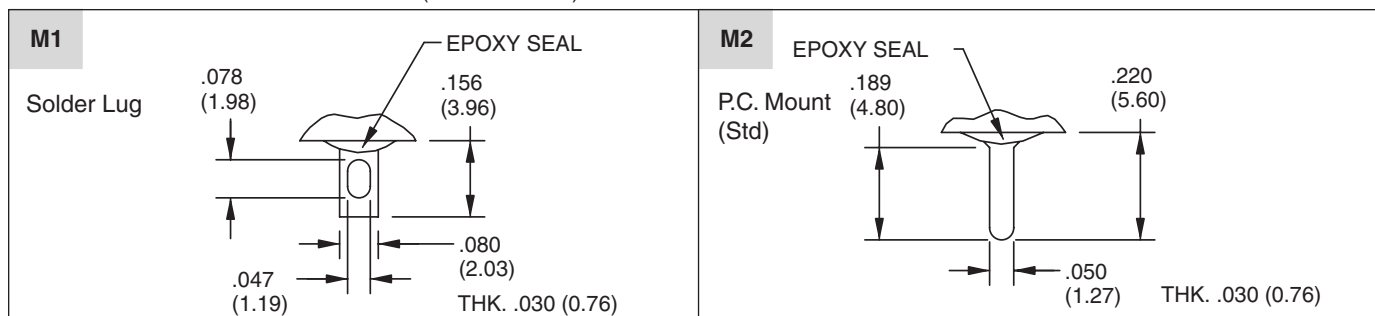
**ACTUATOR OPTIONS** in inches (and millimeters)



**BUSHING OPTIONS** in inches (and millimeters)

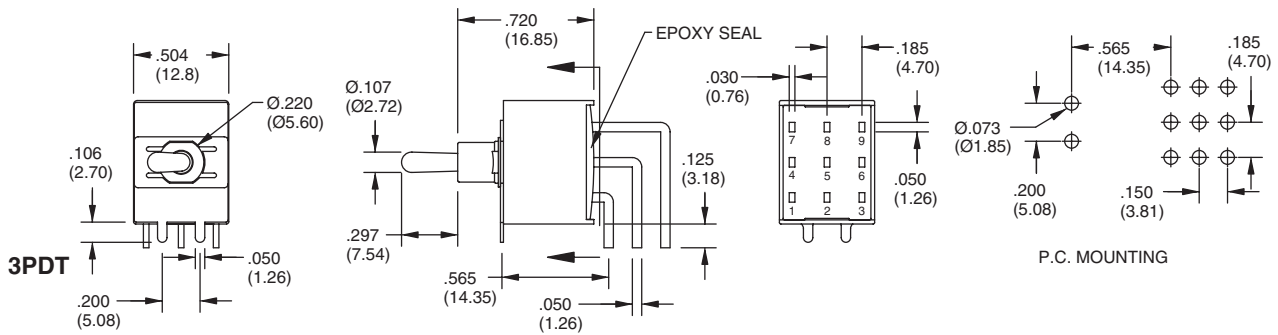


**TERMINATION OPTIONS** in inches (and millimeters)

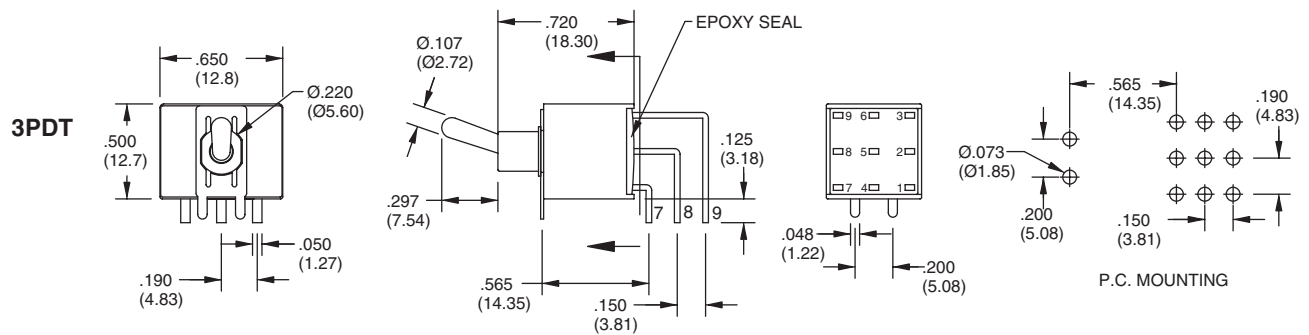
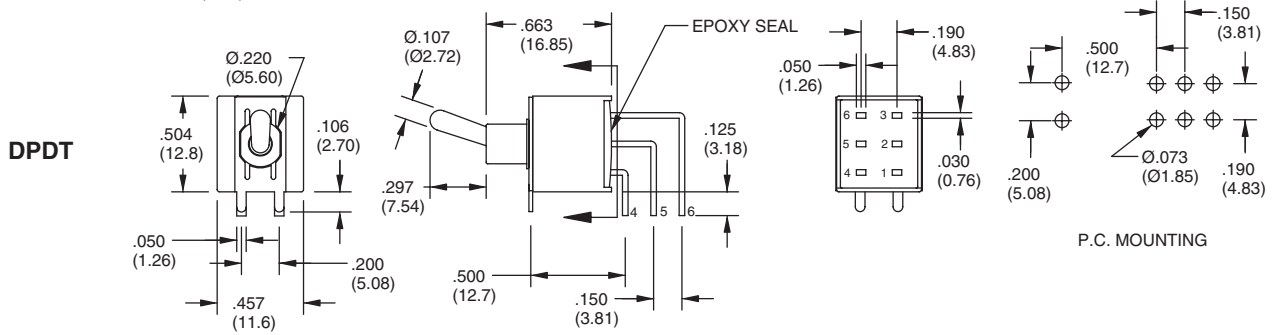
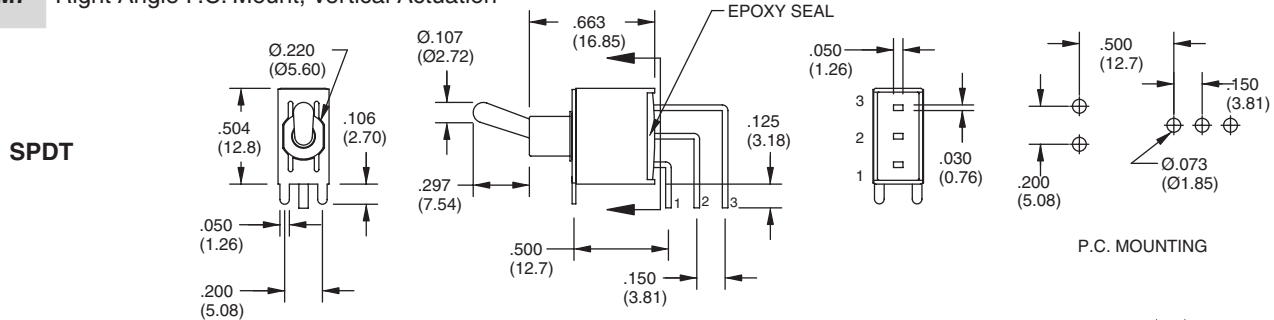


Toggle Switches

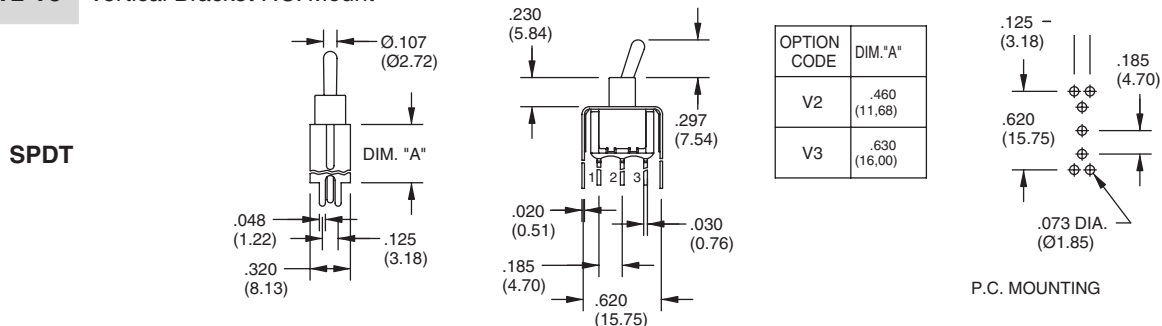
**TERMINATION OPTIONS** in inches (and millimeters)



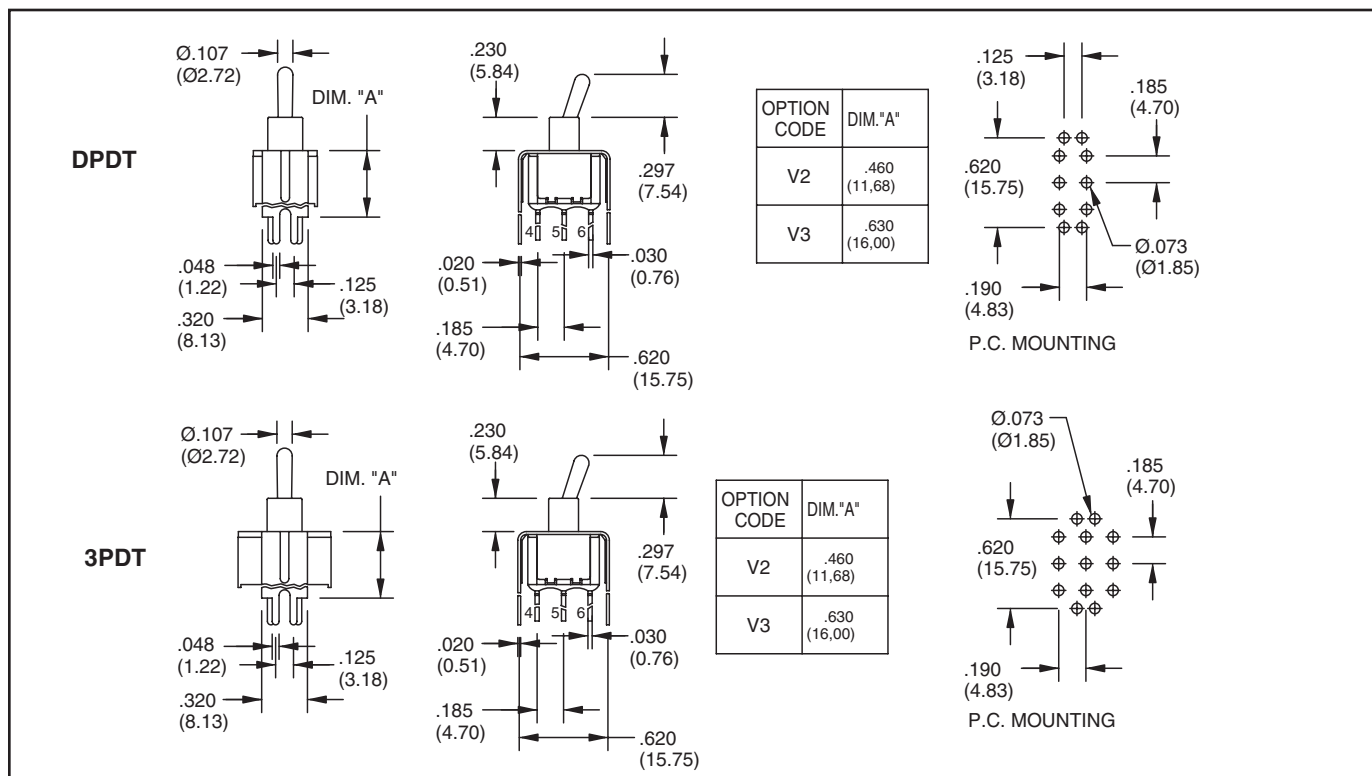
**M7 Right Angle P.C. Mount, Vertical Actuation**



**V2-V3 Vertical Bracket P.C. Mount**



**TERMINATION OPTIONS** in inches (and millimeters)



**SPECIFICATIONS**

**RATINGS**

**Contact Rating:** Q option - 5A with resistive load @ 125VAC or 28 VDC; 2A with resistive load @ 250 VAC. R option-0.4 VA max @ 20 Vmax (AC or DC)

**Electrical Life:** 50,000 make-and-break cycles at full load

**Contact Resistance:** 10 milliohms max. initial @ 2-4 VDC, 100 mA

**Insulation Resistance:** 1,000 megaohms min

**Dielectric Strength:** 1,500 V RMS @ sea level

**Operating Temperature:** -30°C to 85°C

**MATERIALS**

**Case and Bushings:** Glass-filled nylon 6/6, flame retardant, heat stabilized (UL94V-0)

**Frame:** Spring steel

**Actuator:** Brass, chrome plated. Internal O-ring seal standard with all actuators.

**Switch Support:** Brass, tin-plated

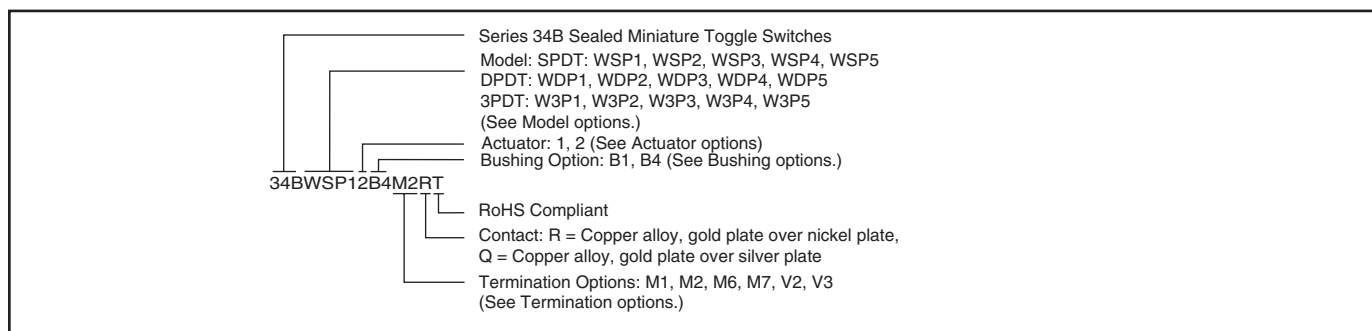
**Actuator Pivot & Mounting Bracket:** Nylon

**Actuator Pivot Retainer:** Stainless Steel

**Terminal and Contacts:** Copper alloy with plated over nickel or silver plate

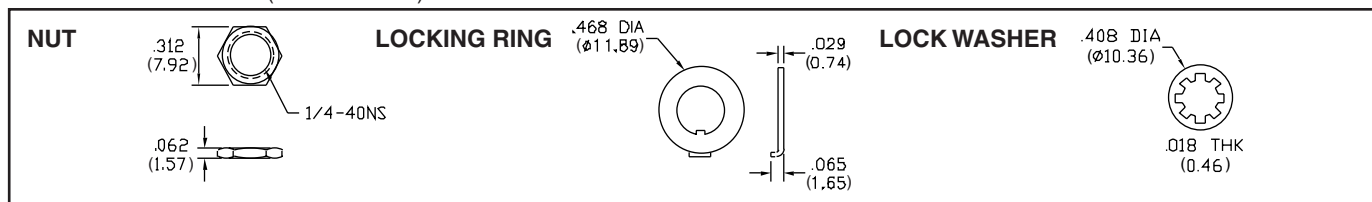
**Terminal Seal:** Epoxy

**ORDERING INFORMATION**



Available from your local Grayhill Component Distributor.  
 For prices and discounts, contact a local Sales Office, an authorized local Distributor or Grayhill.

**HARDWARE** In inches (and millimeters)



Toggle Switches

# Mouser Electronics

Authorized Distributor

Click to View Pricing, Inventory, Delivery & Lifecycle Information:

## Grayhill:

[34BW3P11B1M1RT](#) [34BW3P11B4M7QT](#) [34BW3P12B1M6QT](#) [34BW3P12B4M1QT](#) [34BW3P12B4M1RT](#)  
[34BW3P12B4M6QT](#) [34BW3P12B4M7QT](#) [34BW3P31B1M1QT](#) [34BW3P32B4M1QT](#) [34BW3P32B4M1RT](#)  
[34BWDP11B1M1RT](#) [34BWDP11B4M2QT](#) [34BWDP11B4M6QT](#) [34BWDP11B4M6RT](#) [34BWDP11B4V2QT](#)  
[34BWDP11B4V3QT](#) [34BWDP11B4V3RT](#) [34BWDP12B1M1RT](#) [34BWDP12B1M2RT](#) [34BWDP12B4M1RT](#)  
[34BWDP12B4M6QT](#) [34BWDP12B4M7QT](#) [34BWDP12B4V2QT](#) [34BWDP12B4V3RT](#) [34BWDP21B4M2QT](#)  
[34BWDP31B1M1QT](#) [34BWDP31B1M1RT](#) [34BWDP31B4M2QT](#) [34BWDP31B4M7QT](#) [34BWDP31B4V2QT](#)  
[34BWDP32B1M1QT](#) [34BWDP32B1M1RT](#) [34BWDP32B4M7GT](#) [34BWDP32B4V2QT](#) [34BWDP41B1M1RT](#)  
[34BWDP41B4M2QT](#) [34BWDP52B1M1QT](#) [34BWDP52B4M6QT](#) [34BWSP11B1M1QT](#) [34BWSP11B1M1RT](#)  
[34BWSP11B1M2RT](#) [34BWSP11B1M6RT](#) [34BWSP11B1M7RT](#) [34BWSP11B4M1RT](#) [34BWSP11B4M7RT](#)  
[34BWSP11B4V2QT](#) [34BWSP11B4V3RT](#) [34BWSP12B1M1QT](#) [34BWSP12B1M1RT](#) [34BWSP12B1M2RT](#)  
[34BWSP12B4M2RT](#) [34BWSP12B4M6QT](#) [34BWSP12B4M6RT](#) [34BWSP12B4M7QT](#) [34BWSP12B4M7RT](#)  
[34BWSP12B4V2RT](#) [34BWSP21B1M1RT](#) [34BWSP22B4M2QT](#) [34BWSP31B1M1QT](#) [34BWSP31B1M1RT](#)  
[34BWSP31B4M2RT](#) [34BWSP31B4M7RT](#) [34BWSP31B4V2RT](#) [34BWSP32B1M2QT](#) [34BWSP32B4M7GT](#)  
[34BWSP32B4M7RT](#) [34BWSP41B1M1RT](#) [34BWSP41B4V2QT](#) [34BWSP41B4V3RT](#) [34BWSP42B4V3RT](#)  
[34BWSP51B1M1QT](#) [34BWSP51B1M2RT](#) [34BWSP51B4V3QT](#) [34BWSP52B1M1QT](#) [34BWSP52B1M2QT](#)  
[34BWSP52B1M2RT](#) [34BWSP52B4M2QT](#) [34BWSP52B4M7QT](#) [34BW3P31B1M1RT](#) [34BWSP11B4M6QT](#)  
[34BWDP11B1M6QT](#) [34BWSP11B4V2RT](#) [34BWDP31B1M2QT](#) [34BWDP12B4M2RT](#) [34BWDP32B4M2RT](#)  
[34BWSP31B1M2RT](#) [34BWSP31B1M6QT](#) [34BWSP41B1M1QT](#) [34BWSP41B4V2RT](#)