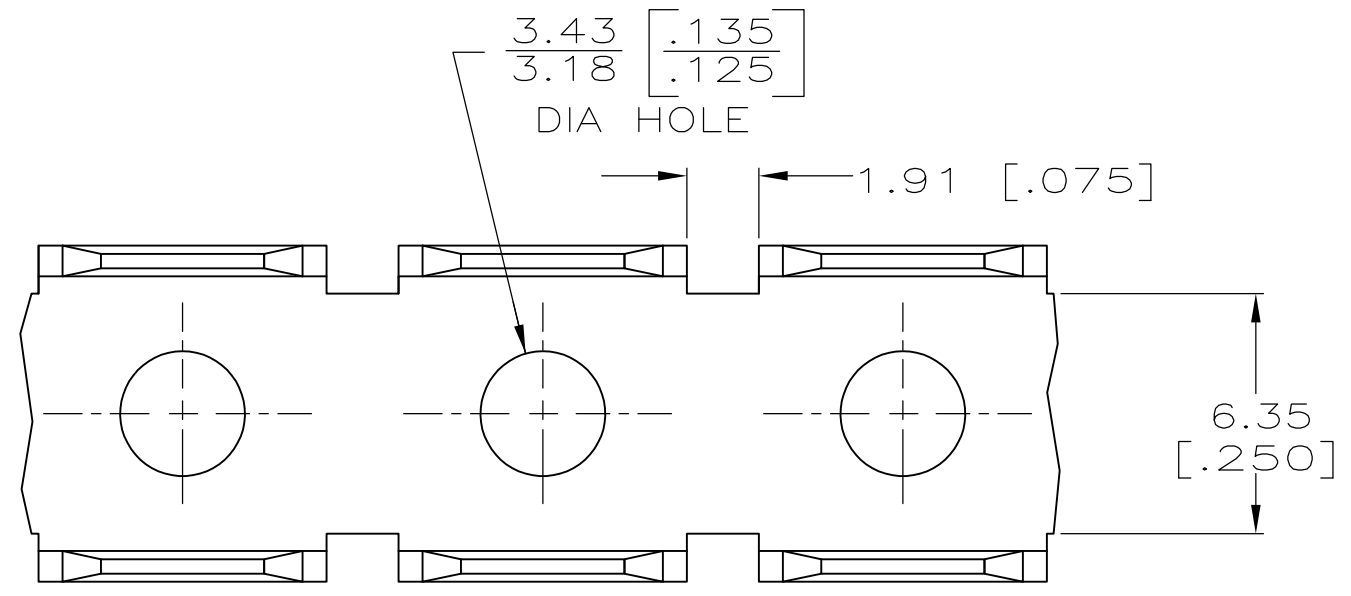
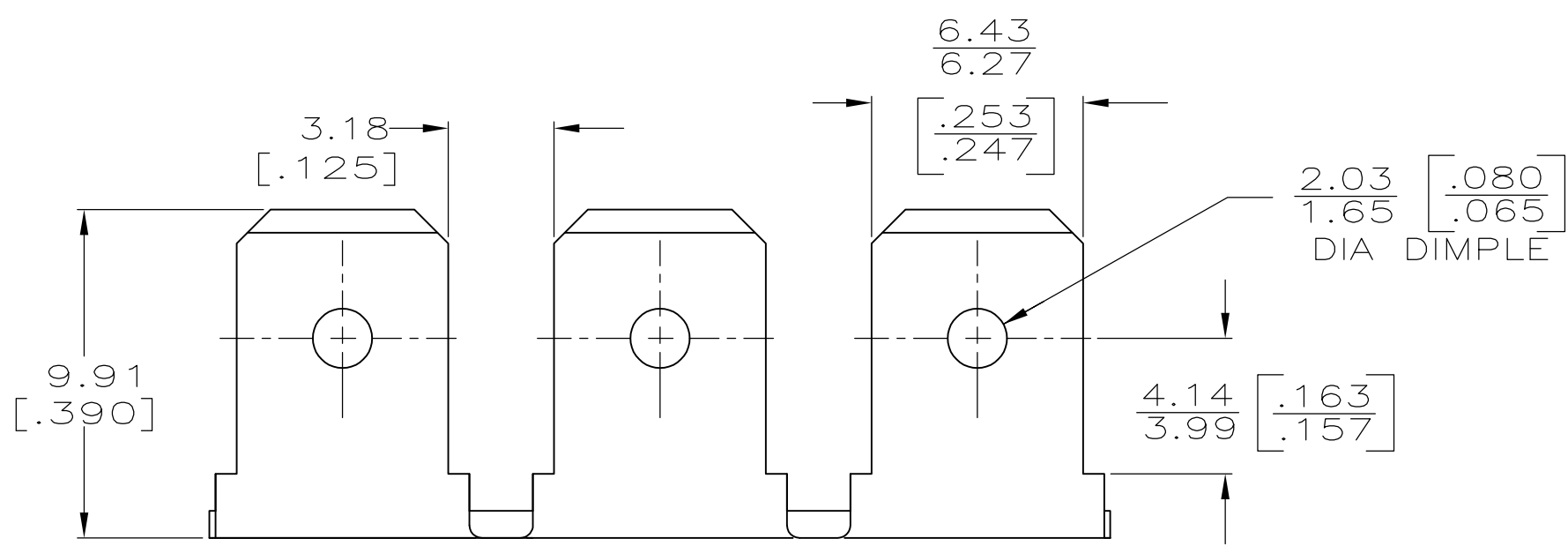
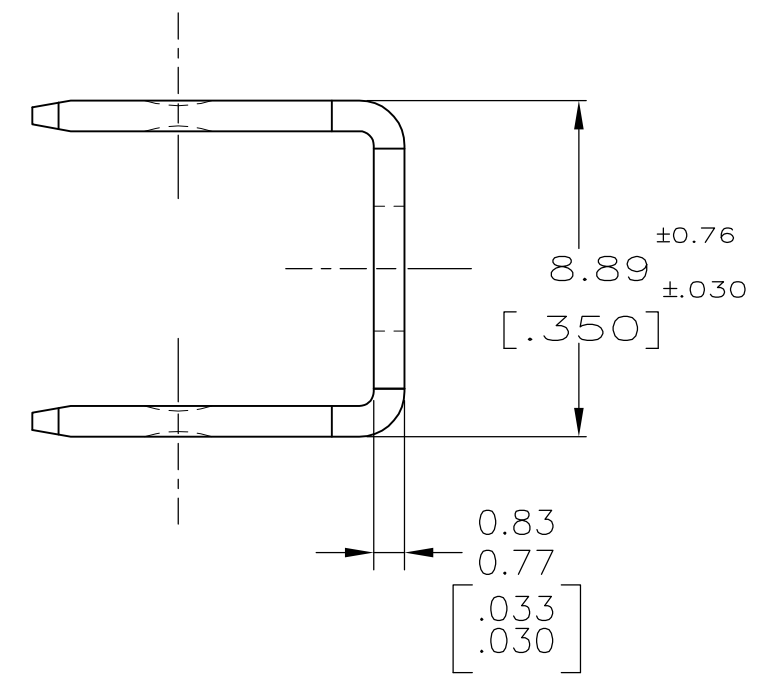


THIS DRAWING IS UNPUBLISHED. RELEASED FOR PUBLICATION  
 © COPYRIGHT - By - ALL RIGHTS RESERVED.


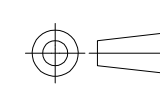
LOC	DIST	REVISIONS			
P	LTR	DESCRIPTION	DATE	DWN	APVD
AF	50	AN	REVISED PER ECR-13-011489	07DEC2013	KH PD



1 CONTINUOUS STRIP ON REELS.



-	42115-6
TIN	42115-4
FINISH	PART NO

THIS DRAWING IS A CONTROLLED DOCUMENT.		DWN	JR RUTH	12/2/91	 TE Connectivity NAME TAB, FASTON, 6.35 $[\text{.250}]$ SERIES			
DIMENSIONS:		CHK	MS FEHER	12/2/91				
mm [INCHES]	TOLERANCES UNLESS OTHERWISE SPECIFIED:	APVD	MEYERS	12/2/91				
	0 PLC ± - 1 PLC ± - 2 PLC ± - 3 PLC ± 0.38 $[\text{.015}]$ 4 PLC ± - ANGLES ± -	PRODUCT SPEC	-	-				
MATERIAL	FINISH	APPLICATION SPEC	-	-	SIZE	CAGE CODE	DRAWING NO	RESTRICTED TO
BRASS	SEE TABLE	WEIGHT	-	-	A3	00779	C-42115	-
CUSTOMER DRAWING					SCALE	5:1	SHEET	1 OF 1
					REV	AN		

# Mouser Electronics

Authorized Distributor

Click to View Pricing, Inventory, Delivery & Lifecycle Information:

[TE Connectivity:](#)

[42115-4](#)