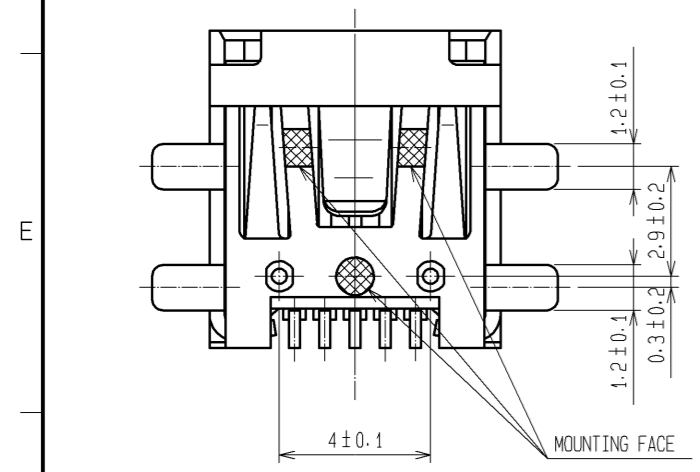
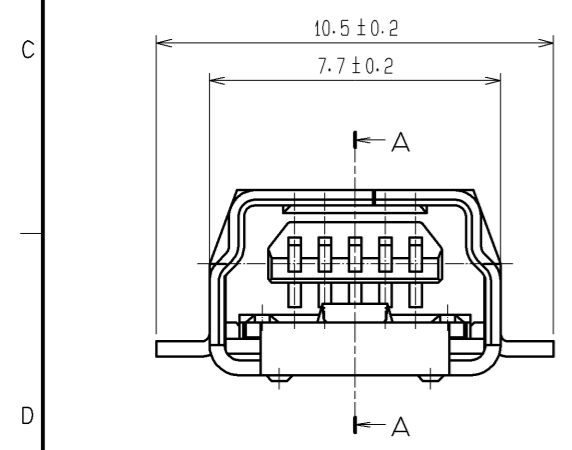
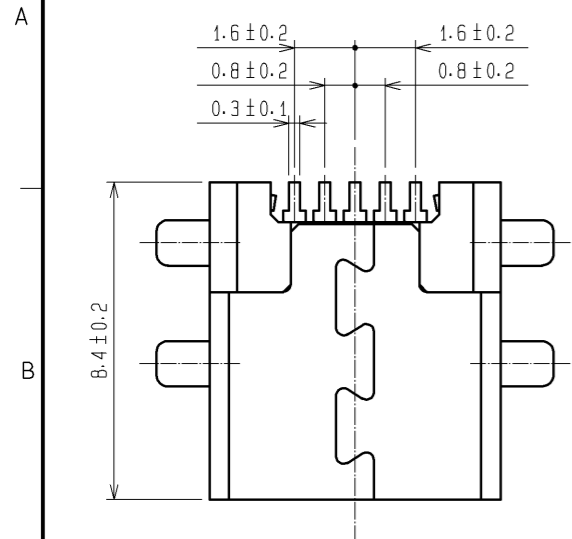
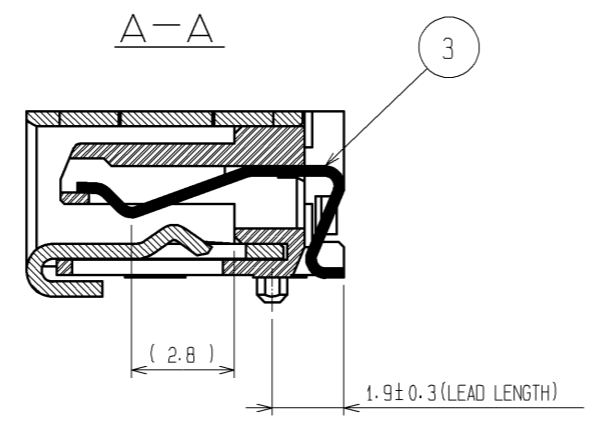
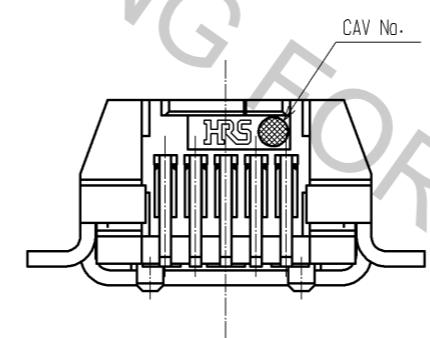
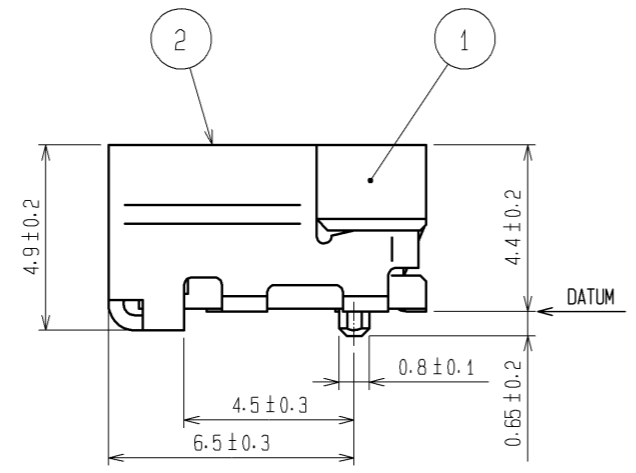
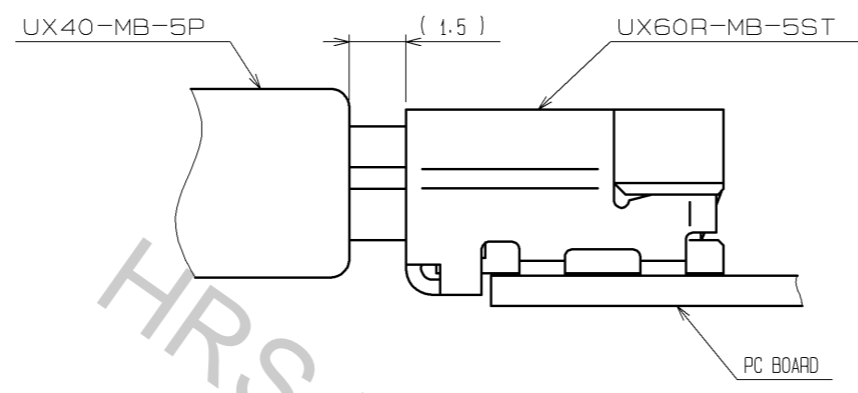


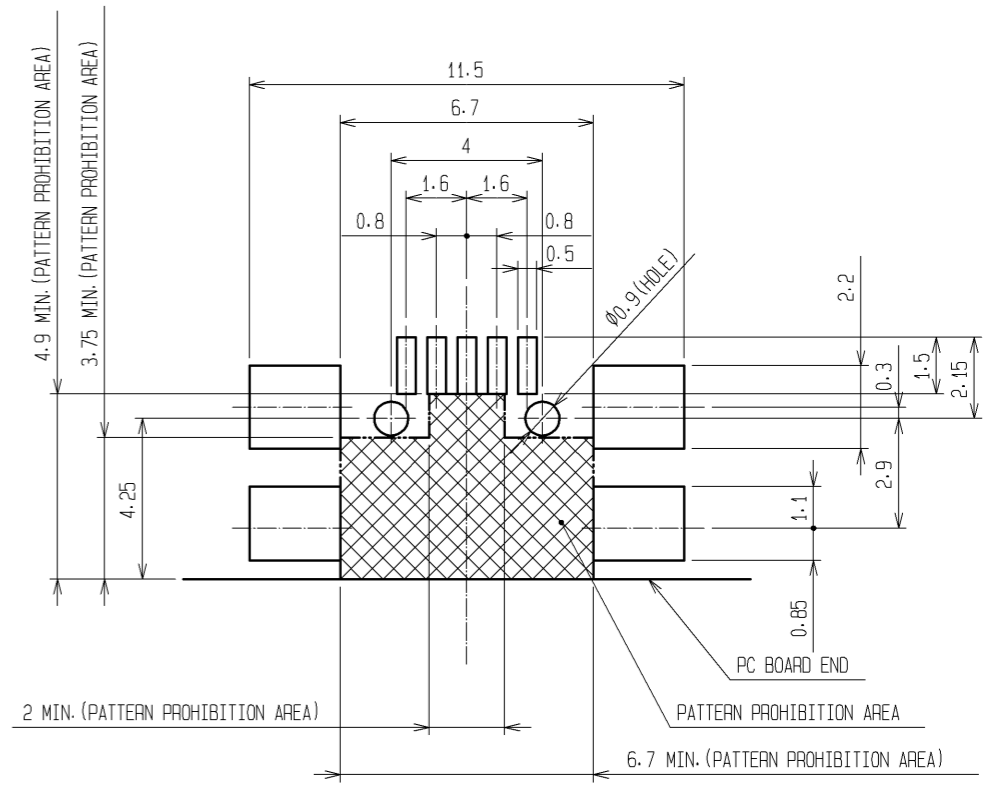
Dec.1.2018 Copyright 2018 HIROSE ELECTRIC CO., LTD. All Rights Reserved.
 In case that the application demands a high level of reliability, such as automotive,
 please contact a company representative for further information.



MATING FIGURE



RECOMMENDED PCB PATTERN



- NOTES
1. INTERFACE DIMENSIONS CONFORM TO USB2.0 STANDARDS.
 2. ALL 9 LEADS(5 PINS + 4 METAL FITTINGS)SMT AND CO-PLANARITY SHALL BE AS FOLLOWS.

SMT AGAINST DATUM	CO-PLANARITY
0±0.075	WITHIN 0.1

3. PER REEL:900 PIECES.

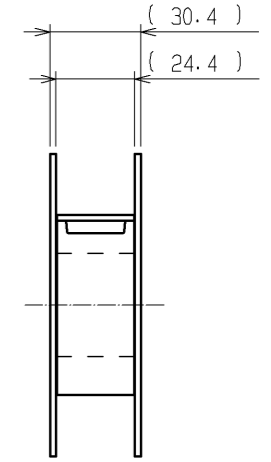
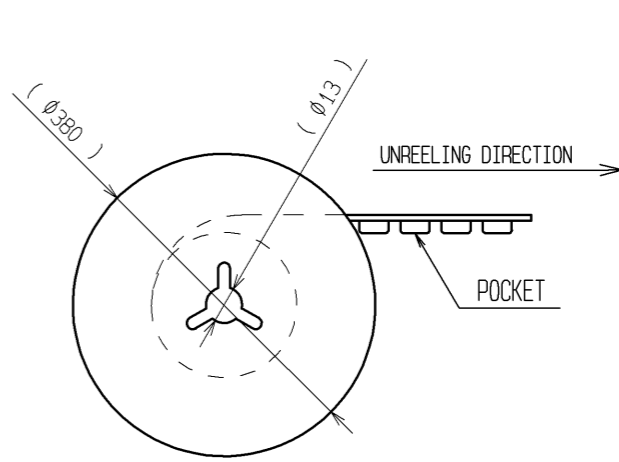
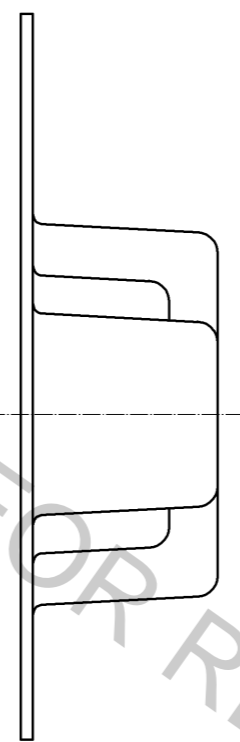
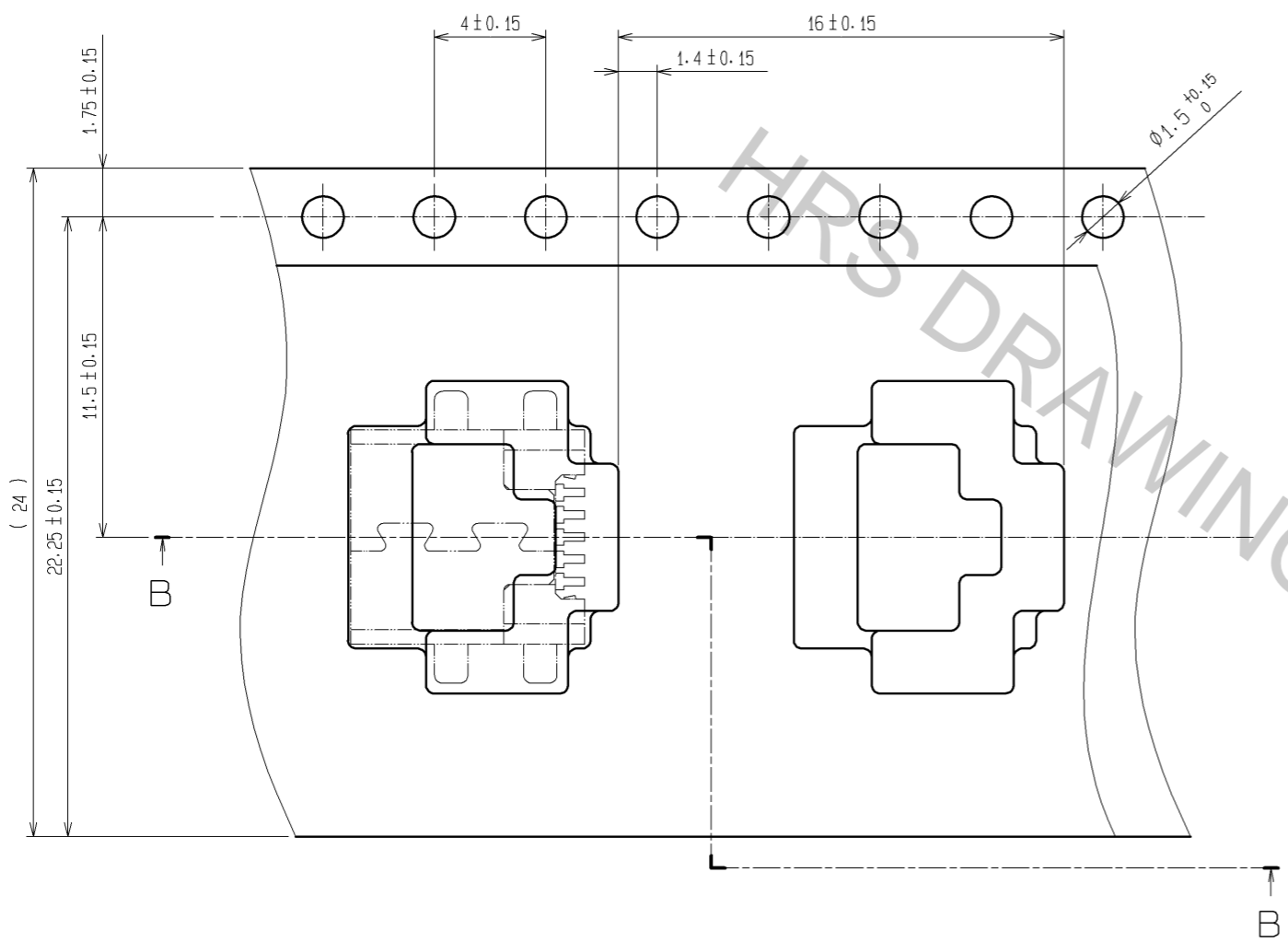
2	BRASS	NICKEL PLATED 1 μm + TIN PLATED 2 μm	5	PE	△		
1	POLYAMIDE	BLACK UL94V-0	4	PS			
			3	PHOSPHOR BRONZE	CONTACT AREA: NICKEL PLATED 1.25 μm + GOLD PLATED 0.75 μm MOUNTING AREA: NICKEL PLATED 1.25 μm + TIN-COPPER PLATED 1 μm OTHERS AREA: NICKEL PLATED 1.25 μm		
NO.	MATERIAL	FINISH, REMARKS	NO.	MATERIAL	FINISH, REMARKS		
UNITS mm	⊙	SCALE 5 : 1	COUNT 3	DESCRIPTION OF REVISIONS DIS-E-003848	DESIGNED TA. TORIHARA	CHECKED RI. TAKAYASU	DATE 11.07.15
APPROVED : A0. SUZUKI		05.01.05		DRAWING NO. EDC3-124565-00			
CHECKED : MR. NAKAMURA		05.01.05		PART NO. UX60R-MB-5ST			
DESIGNED : HK. TANAKA		05.01.05		CODE NO. CL240-0008-8-00			
DRAWN : HK. TANAKA		05.01.05		1/2			

Dec.1.2018 Copyright 2018 HIROSE ELECTRIC CO., LTD. All Rights Reserved.
 In case that the application demands a high level of reliability, such as automotive,
 please contact a company representative for further information.

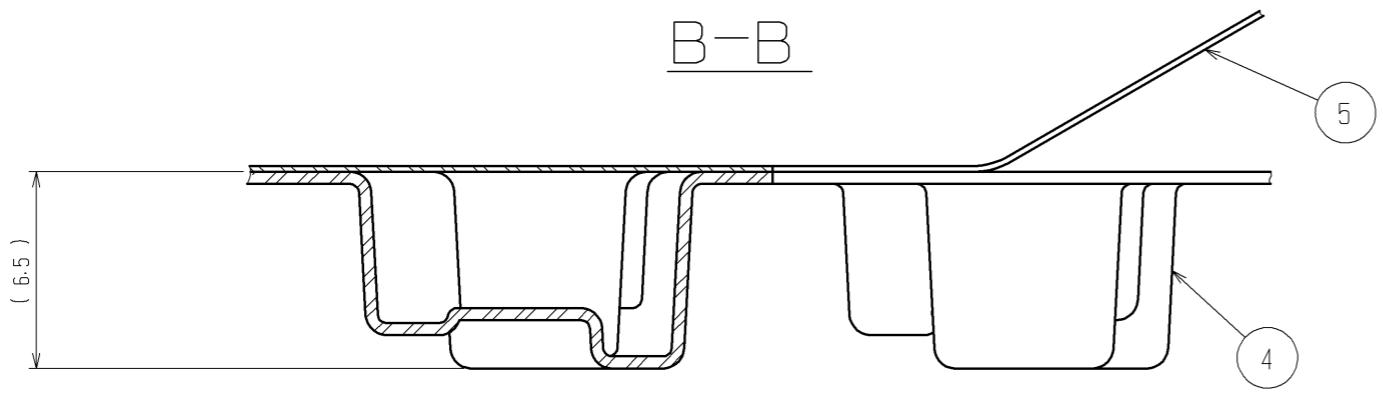
△ DRAWING FOR PACKING

UNREELING DIRECTION →

PACKAGING CONDITION(FREE)



B-B



HRS	DRAWING NO.	EDC3-124565-00	△ 2/2
	PART NO.	UX60R-MB-5ST	
	CODE NO.	CL240-0008-8-00	

Mouser Electronics

Authorized Distributor

Click to View Pricing, Inventory, Delivery & Lifecycle Information:

Hirose Electric:

[UX60SC-MB-5ST\(80\)](#) [UX60-MB-5S8](#) [UX60-MB-5S8\(01\)](#) [UX60A-MB-5ST](#) [UX60RA-MB-5ST](#) [UX60R-MB-5ST](#)
[UX60SC-MB-5ST](#) [UX60SC-MB-5ST\(01\)](#) [UX60SC-MB-5S8](#) [UX60SC-MB-5S8\(80\)](#) [UX60SC-MB-5S8\(85\)](#) [UX60SC-](#)
[MB-5ST\(85\)](#) [UX60SE-MBR-5S9](#)