

Series 57

MINIATURE VANDAL RESISTANT SEALED

This rugged miniature, momentary action, sealed switch series is ideal for a variety of applications in harsh environments where durability is key. It is panel sealed to IP67 and designed to be impact resistant.

APPLICATIONS

- Military / Aerospace
- Process Controls
- Security Access Controls
- Medical Instrumentation
- Computers
- Transportation: Mass-transit, Marine, Lift Trucks, Personal and Recreational Vehicles, Rail

KEY FEATURES:

- Panel sealed to IP67
- Momentary action
- Impact resistant
- Non-spark material
- Lighted and non-lighted versions
- Wide temperature range: -40°C to +125°C
- Gold Plated Palladium Nickel contacts



ACTUAL SIZE

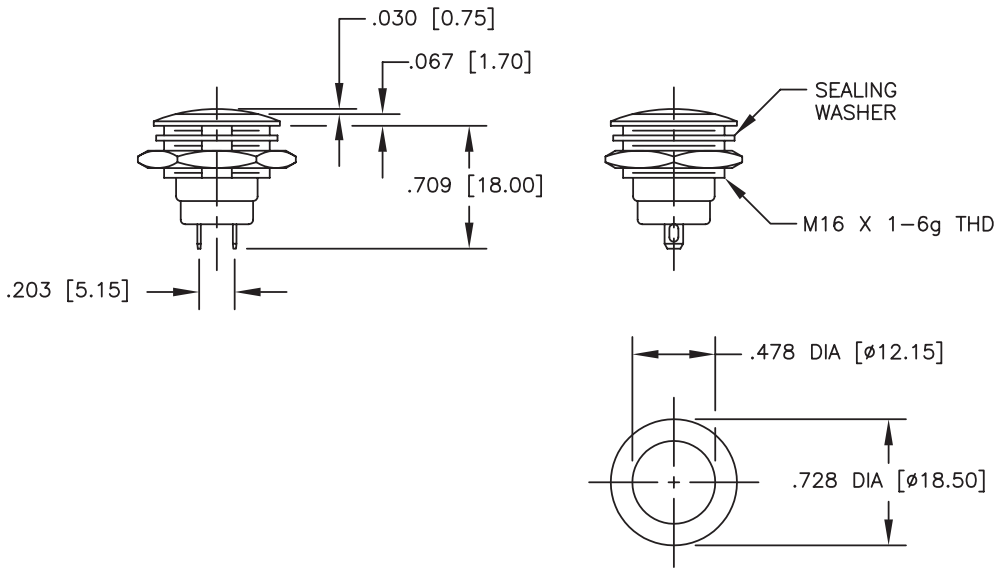
ORDERING INFORMATION:

Part Number	Lighted	LED Color
57-111	No	—
57-112B	Yes	Blue
57-112G	Yes	Green
57-112R	Yes	Red

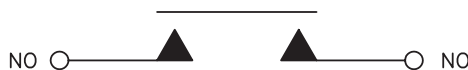
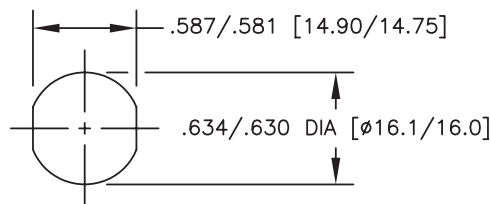
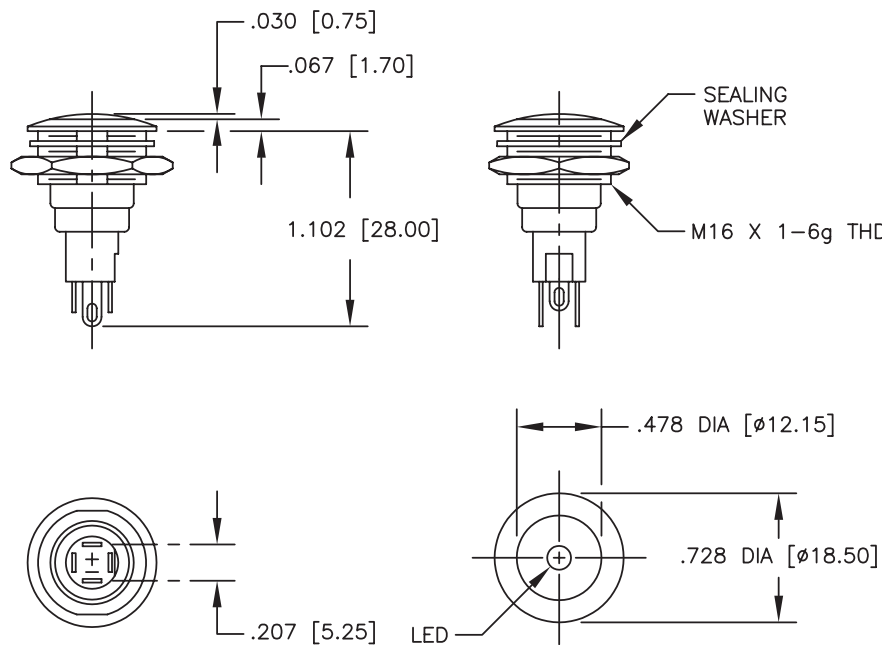
STANDARDS / AGENCY / RATINGS:



NON-LIGHTED



LIGHTED



MECHANICAL / ELECTRICAL CHARACTERISTICS:

- Travel (nom):**
0.09 inches / 2.3 mm
- Life (nominal):**
1,000,000 cycles (mechanical)
500,000 cycles (electrical)
- Operating force (nom):**
3N / 306 grams
- Contact bounce (nom):**
1 millisecond
- Panel thickness (max):**
0.118 inches / 3.0 mm
- Contact resistance initial:**
50 mΩ (Max)
- Current Rating (typical):**
400mA at 32 VAC resistive
100mA at 50 VDC resistive
125mA at 125 VAC resistive
- Switching power (max):**
16VA AC
- Shock:**
100g
- Body and button material:**
Velour chrome plated
zinc alloy
- Terminals:**
gold plated brass
- Soldering information:**
608°F (320°C) max for 3s

Mouser Electronics

Authorized Distributor

Click to View Pricing, Inventory, Delivery & Lifecycle Information:

[ITW Switches:](#)

[57-112G](#) [57-112R](#) [57-112B](#) [57-111](#)