

4

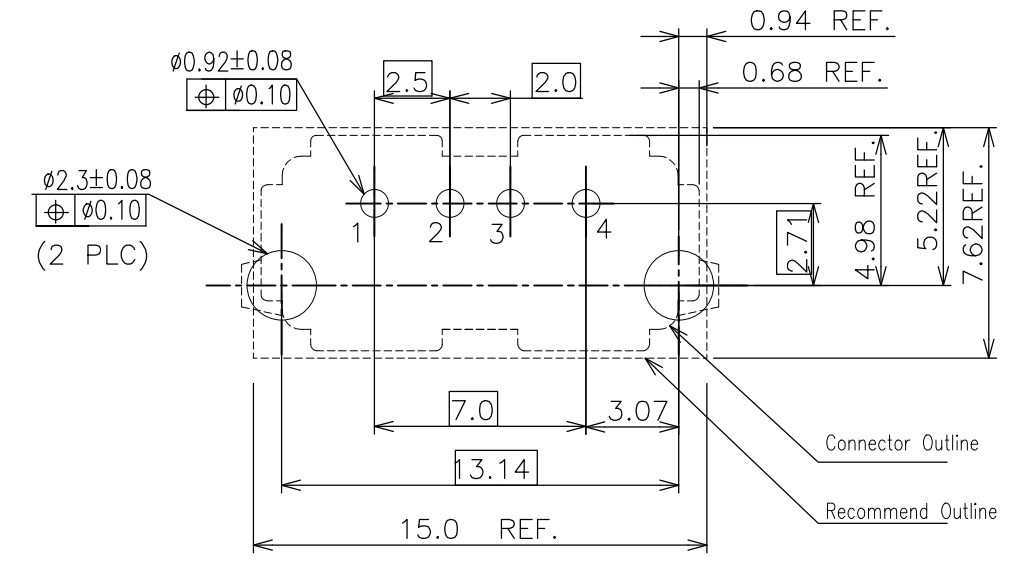
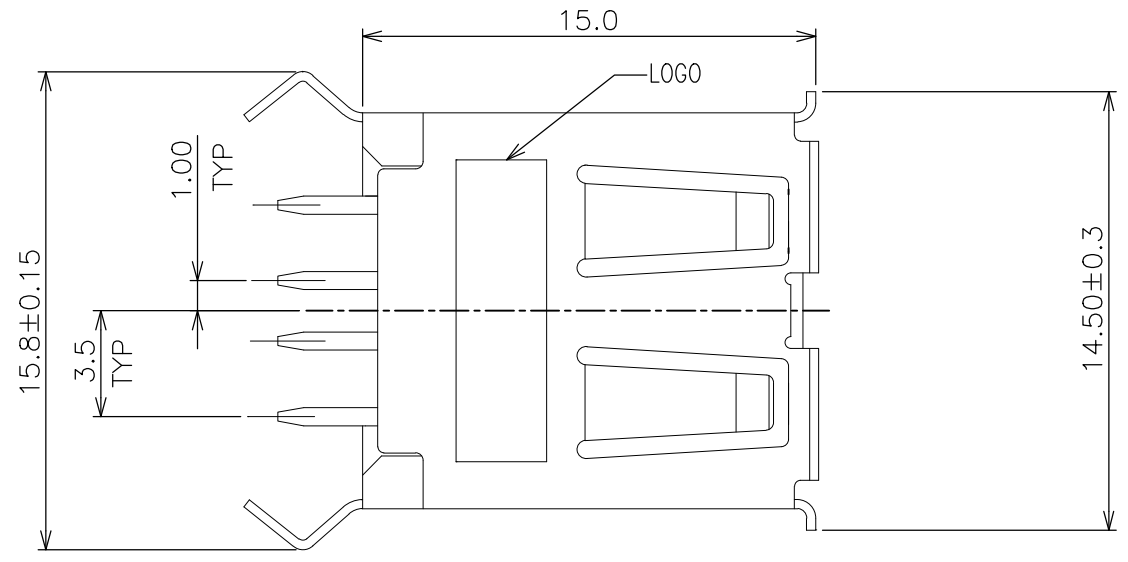
3

2

1

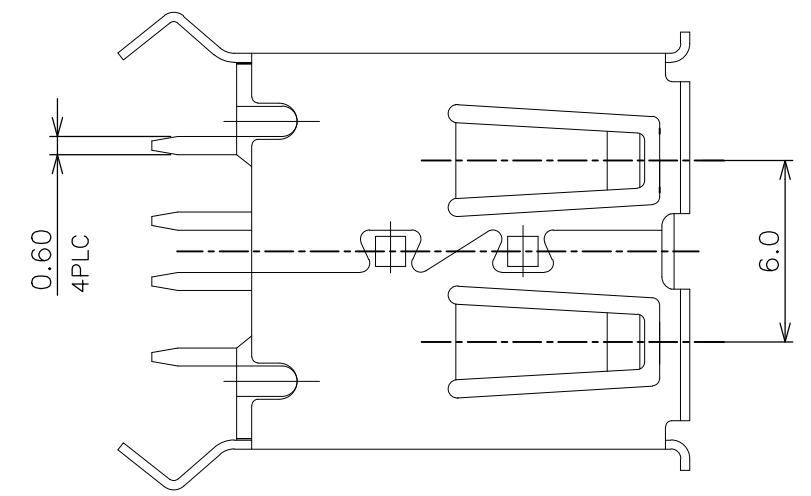
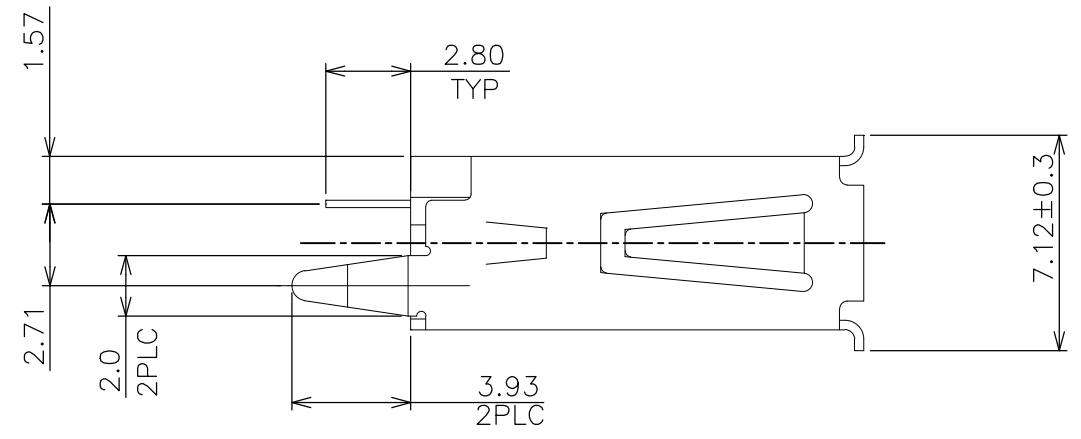
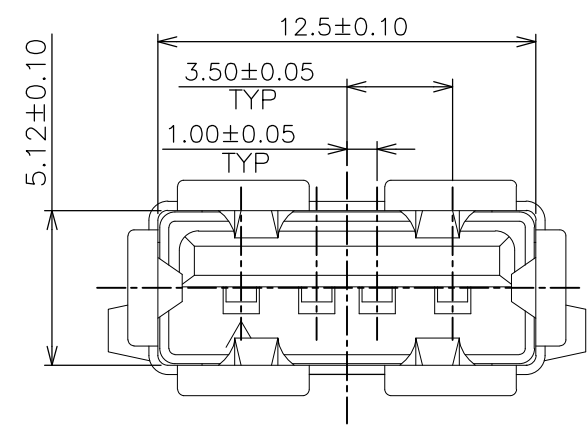
THIS DRAWING IS UNPUBLISHED. RELEASED FOR PUBLICATION  
 © COPYRIGHT BY TYCO ELECTRONICS CORPORATION. ALL RIGHTS RESERVED.

LOC DW	DIST /	REVISIONS			
P	LTR	DESCRIPTION	DATE	DWN	APVD
	C5	REVISED PER E-17-008108	6JUN17	A.X	H.W



RECOMMENDED P.C. BOARD LAYOUT(T=1.6)  
(TOP VIEW)(TOLERANCE:±0.05)

- NOTE:
- MATERIAL:
    - HOUSING: PBT(SOLDER CAPABLE,UL 94-V0,COLOR:SEE TABLE.)
    - HOUSING: PA9T(REFLOW CAPABLE,UL 94-V0,COLOR:SEE TABLE.)
    - CAP: LCP(REFLOW CAPABLE,UL 94-V0,COLOR:BLACK.)
    - BACK STOPPER: PBT(SOLDER CAPABLE,UL 94-V0,COLOR:BLACK.)
    - CONTACT: PHOSPHOR BRONZE, THICKNESS =0.25mm.
    - SHIELD: BRASS, THICKNESS=0.30mm.
  - FINISH:
    - CONTACT:GOLD FLASH OVER
    - 0.762um[30u"]MIN. PALLADIUM-NICKEL PLATED ON CONTACT
    - 2.54um[100u"]MIN. MATTE-TIN ON SOLDER TAILS,
    - 1.27um[50u"]MIN. NICKEL UNDERPLATED ALL OVER.
    - SHIELD: 2.54um [100u"] MIN. TIN PLATED OVER
    - 1.27um [50u"] MIN. NICKEL UNDERPLATED
    - SHIELD: 0.762-2.03um [30-80u"] SOLDERABLE NICKEL OVER 0.762-2.03um [30-80u"] COPPER

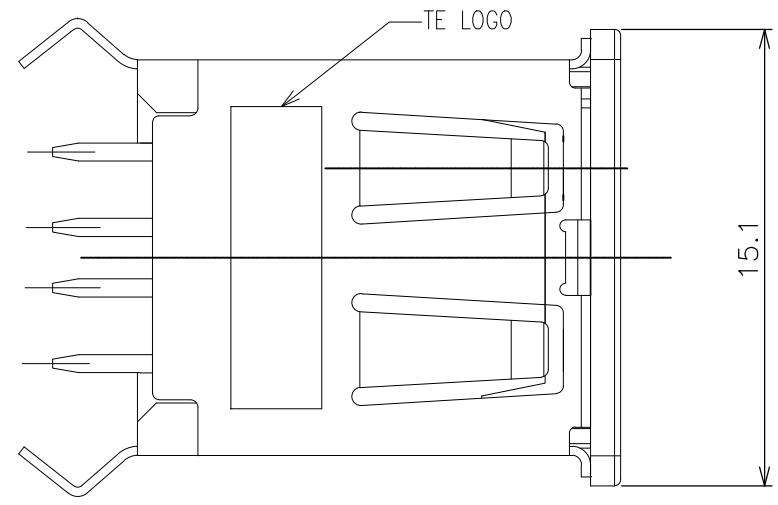


SEE SHEET 4	BLACK	1734366-5	△	△
SEE SHEET 5	BLACK	1734366-4	△	△
	BLUE	1734366-3		
SEE SHEET 4	WHITE	1734366-2	△	△
	BLACK	1734366-1		
PACKING	HSG'S COLOR	PART NUMBER	HOUSING MATERIAL	SHIELD FINISH

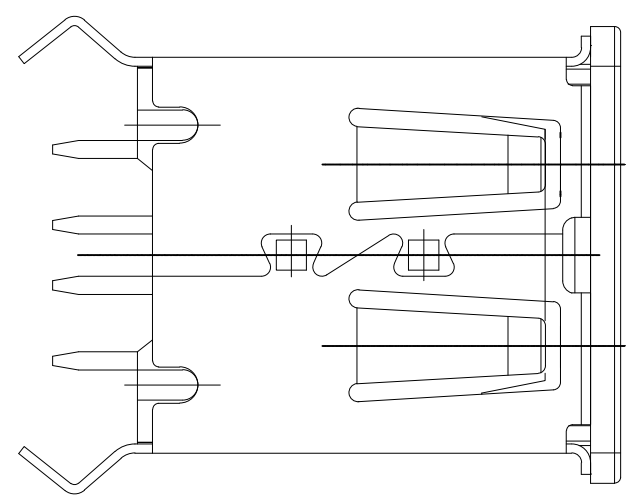
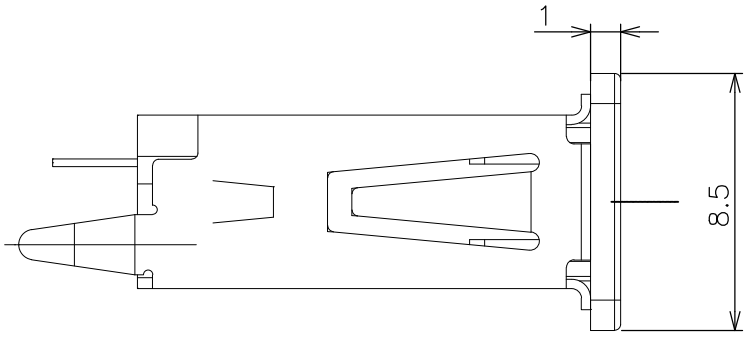
THIS DRAWING IS A CONTROLLED DOCUMENT.		DWN S. CHIEN 19SEP2008	<b>STE</b> TE Connectivity	
DIMENSIONS: mm		CHK S. CHIEN 19SEP2008		
TOLERANCES UNLESS OTHERWISE SPECIFIED:		APVD W.KODAMA 19SEP2008	NAME	
0 PLC ± 0.38		PRODUCT SPEC 108-57547	RECEPT ASSY,VERTICAL,4POSITION THRU-HOLE,TYPE A USB	
1 PLC ± 0.25		APPLICATION SPEC 501-57635		
2 PLC ± 0.13		WEIGHT 1.82 GRAMS	SIZE A3	CAGE CODE 00779
3 PLC ± 0.05		CUSTOMER DRAWING	DRAWING NO C=1734366	RESTRICTED TO
ANGLES ± 2°			SCALE -	SHEET 1 OF 6
FINISH				REV C5
MATERIAL SEE NOTE				
SEE NOTE				

THIS DRAWING IS UNPUBLISHED. RELEASED FOR PUBLICATION  
 © COPYRIGHT BY TYCO ELECTRONICS CORPORATION. ALL RIGHTS RESERVED.

LOC		DIST		REVISIONS				
P	LTR	DESCRIPTION			DATE	DWN	APVD	



1734366-6 AS SHOW  
 OTHER DIMENSIONS ARE THE SAME AS SHEET1



SEE SHEET 6	BLACK	1734366-6	△	△
PACKING	HSG'S COLOR	PART NUMBER	HOUSING MATERIAL	SHIELD FINISH

THIS DRAWING IS A CONTROLLED DOCUMENT.		DWN				
DIMENSIONS: mm		CHK				
TOLERANCES UNLESS OTHERWISE SPECIFIED:		APVD	NAME			
0 PLC ± 0.38 1 PLC ± 0.25 2 PLC ± 0.13 3 PLC ± 0.05		PRODUCT SPEC	RECEPT ASSY,VERTICAL,4POSITION THRU-HOLE,TYPE A USB			
ANGLES ± 2° FINISH		APPLICATION SPEC	SIZE	CAGE CODE	DRAWING NO	RESTRICTED TO
MATERIAL		WEIGHT	A3	00779	C=1734366	
CUSTOMER DRAWING			SCALE	SHEET	2 OF 6	REV C5

4

3

2

1

THIS DRAWING IS UNPUBLISHED.

RELEASED FOR PUBLICATION

---

© COPYRIGHT

BY TYCO ELECTRONICS CORPORATION.

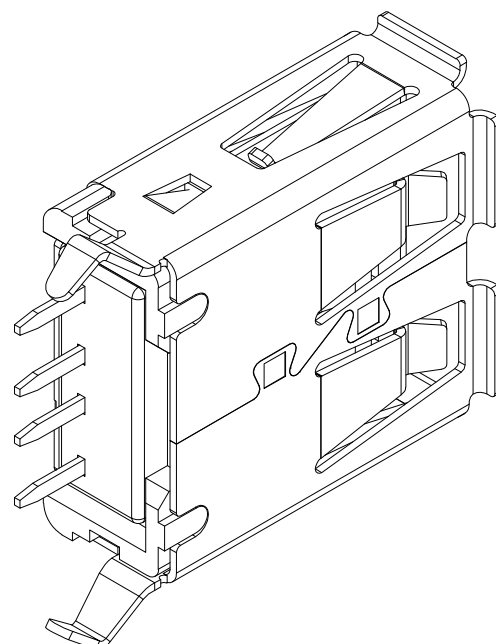
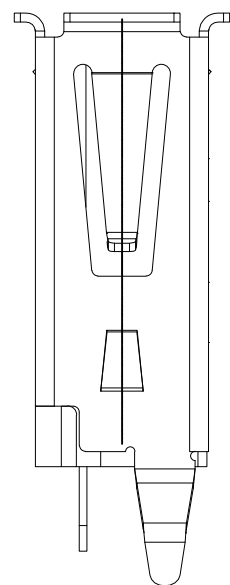
ALL RIGHTS RESERVED.

LOC  
DW

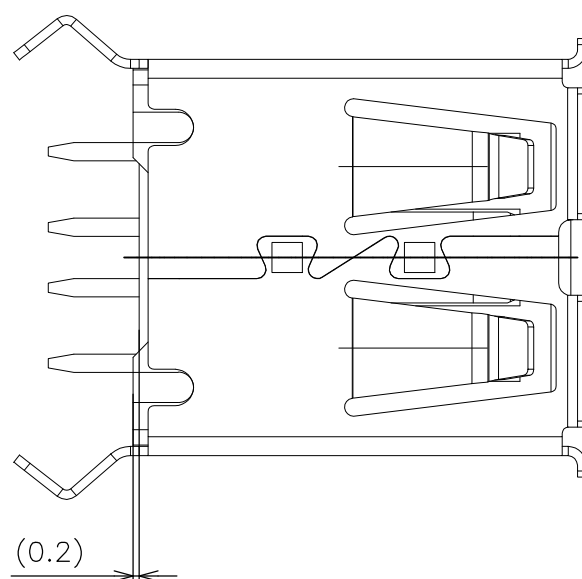
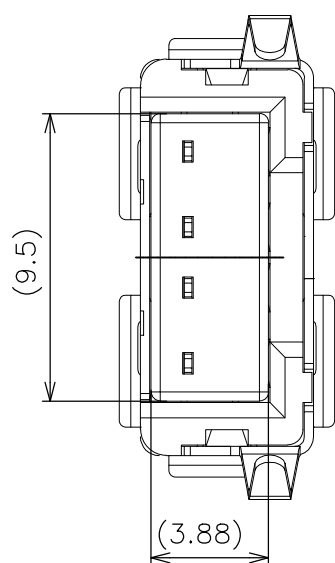
DIST  
/

REVISIONS


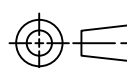
P	LTR	DESCRIPTION	DATE	DWN	APVD



1734366-7 AS SHOW  
OTHER DIMENSIONS ARE THE SAME AS SHEET1

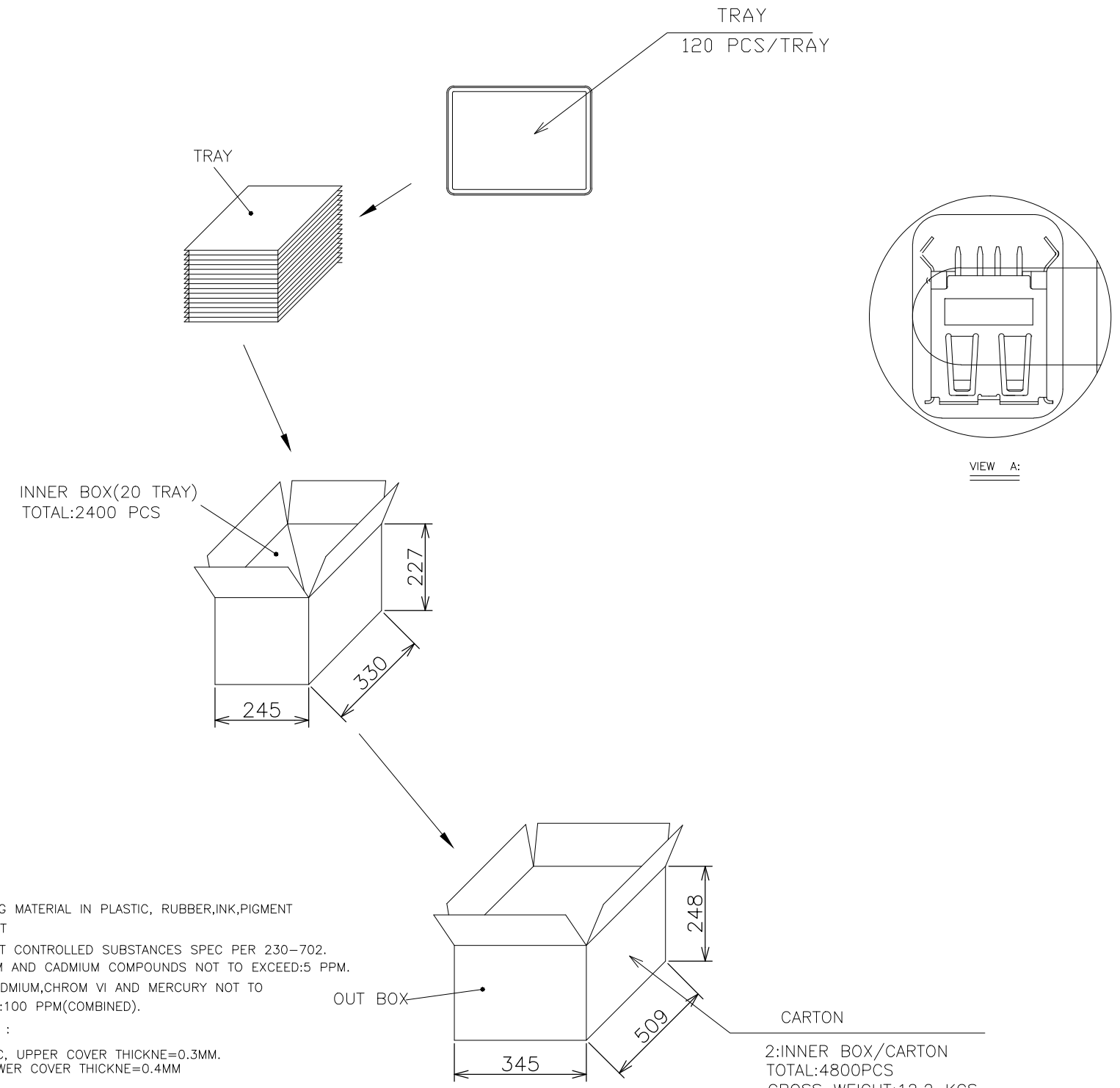


SEE SHEET 4	BLACK	1734366-7	△	△
PACKING	HSG'S COLOR	PART NUMBER	HOUSING MATERIAL	SHIELD FINISH

THIS DRAWING IS A CONTROLLED DOCUMENT.		DWN	 <b>TE Connectivity</b>				
DIMENSIONS: mm 		CHK				NAME RECEPT ASSY,VERTICAL,4POSITION THRU-HOLE,TYPE A USB	
TOLERANCES UNLESS OTHERWISE SPECIFIED: 0 PLC ± 0.38 1 PLC ± 0.25 2 PLC ± 0.13 3 PLC ± 0.05 ANGLES ± 2° MATERIAL FINISH		APVD	PRODUCT SPEC	SIZE	CAGE CODE		
		APPLICATION SPEC	WEIGHT	A3	00779	C=1734366	—
CUSTOMER DRAWING			SCALE	SHEET	3 OF 6	REV	C5

THIS DRAWING IS UNPUBLISHED. RELEASED FOR PUBLICATION  
 © COPYRIGHT BY TYCO ELECTRONICS CORPORATION. ALL RIGHTS RESERVED.

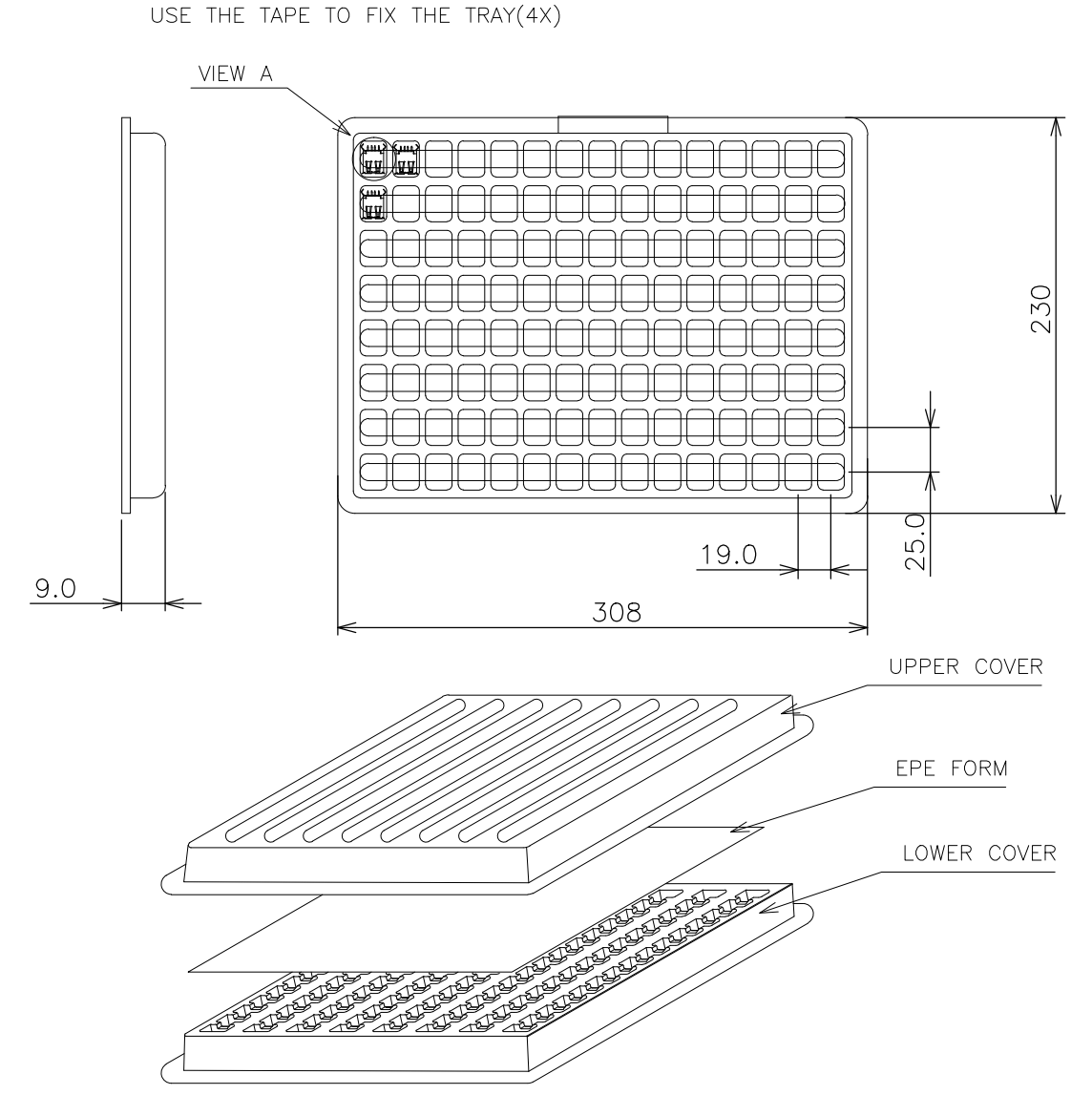
LOC		DIST		REVISIONS		
P	LTR	DESCRIPTION	DATE	DWN	APVD	



NOTE :

- PACKAGING MATERIAL IN PLASTIC, RUBBER,INK,PIGMENT AND PAINT  
 MUST MEET CONTROLLED SUBSTANCES SPEC PER 230-702.  
 \* CADMIUM AND CADMIUM COMPOUNDS NOT TO EXCEED:5 PPM.  
 \* LEAD,CADMIUM,CHROM VI AND MERCURY NOT TO EXCEED:100 PPM(COMBINED).
- MATERIAL :  
 TRAY: PVC, UPPER COVER THICKNE=0.3MM.  
 LOWER COVER THICKNE=0.4MM

2:INNER BOX/CARTON  
 TOTAL:4800PCS  
 GROSS WEIGHT:12.2 KGS  
 NET WEIGHT:11.2 KGS

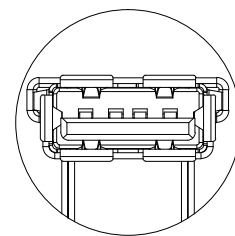
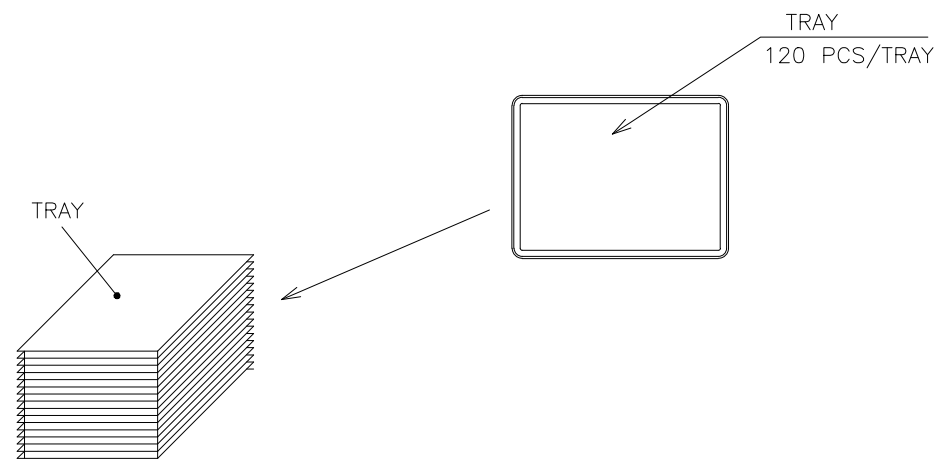


4800	1734366-7
4800	1734366-5
4800	1734366-2
4800	1734366-1
QTY	PART NUMBER

THIS DRAWING IS A CONTROLLED DOCUMENT.		DWN		<b>STE</b> TE Connectivity	
DIMENSIONS: mm		CHK			
TOLERANCES UNLESS OTHERWISE SPECIFIED:		APVD		NAME	
0 PLC ± -		PRODUCT SPEC		RECEIPT ASSY,VERTICAL,4POSITION THRU-HOLE,TYPE A USB	
1 PLC ± 0.3		APPLICATION SPEC		SIZE CAGE CODE DRAWING NO RESTRICTED TO	
2 PLC ± 0.2		WEIGHT		A3 00779 C=1734366	
3 PLC ± 0.15		CUSTOMER DRAWING		SCALE SHEET 4 OF 6 REV C5	
4 PLC ANGLES ± 3°		FINISH			

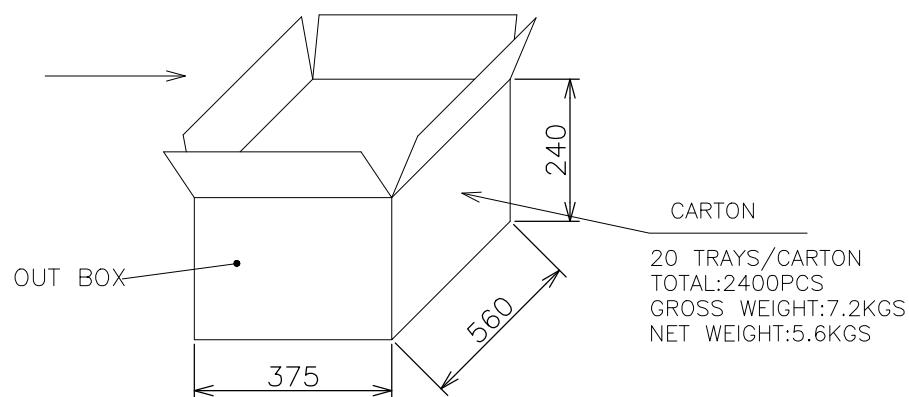
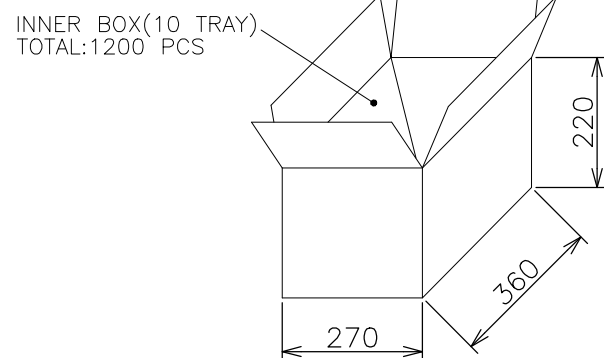
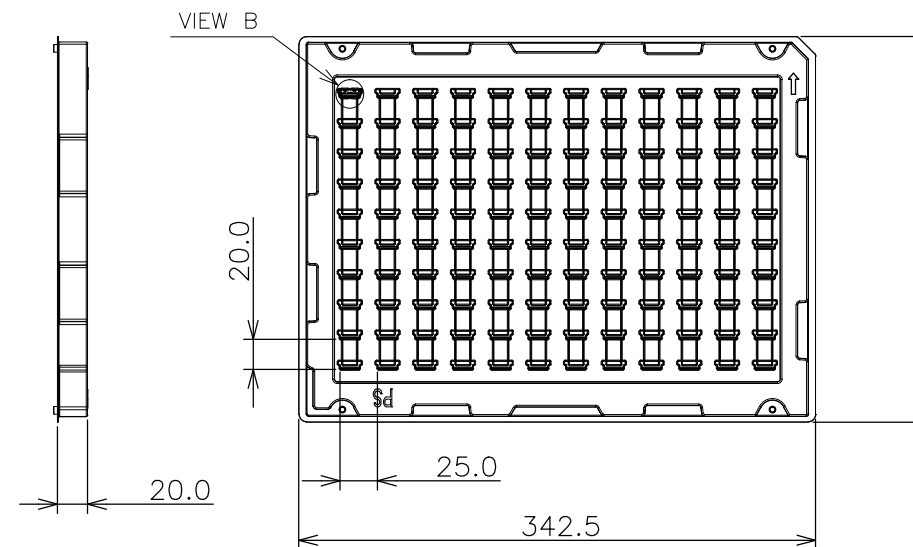
THIS DRAWING IS UNPUBLISHED. RELEASED FOR PUBLICATION  
 © COPYRIGHT BY TYCO ELECTRONICS CORPORATION. ALL RIGHTS RESERVED.

LOC	DIST	REVISIONS			
P	LTR	DESCRIPTION	DATE	DWN	APVD
DW					

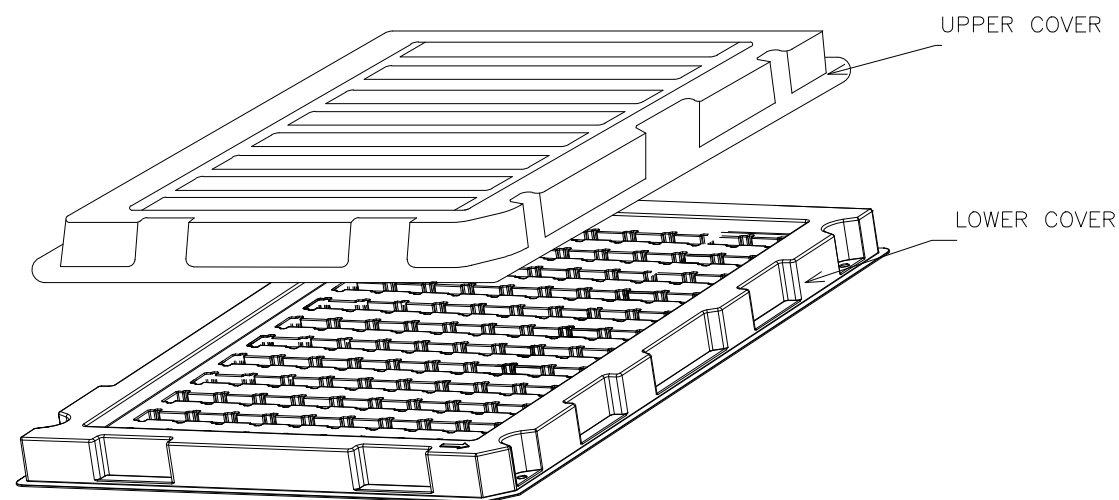


VIEW B:

USE THE TAPE TO FIX THE TRAY(4X)



CARTON  
 20 TRAYS/CARTON  
 TOTAL:2400PCS  
 GROSS WEIGHT:7.2KGS  
 NET WEIGHT:5.6KGS



NOTE :  
 1. PACKAGING MATERIAL IN PLASTIC, RUBBER,INK,PIGMENT AND PAINT  
 MUST MEET CONTROLLED SUBSTANCES SPEC PER 230-702.  
 \* CADMIUM AND CADMIUM COMPOUNDS NOT TO EXCEED:5 PPM.  
 \* LEAD,CADMIUM,CHROM VI AND MERCURY NOT TO EXCEED:100 PPM(COMBINED).  
 2. MATERIAL :  
 TRAY: PS, UPPER COVER THICKNE=0.5MM.  
 LOWER COVER THICKNE=0.7MM

2400	1734366-4
2400	1734366-3
QTY	PART NUMBER

THIS DRAWING IS A CONTROLLED DOCUMENT.		DWN	TE Connectivity		
DIMENSIONS: mm		CHK	RECEIPT ASSY,VERTICAL,4POSITION THRU-HOLE,TYPE A USB		
TOLERANCES UNLESS OTHERWISE SPECIFIED:		APVD	NAME	RESTRICTED TO	
0 PLC ± -		PRODUCT SPEC	SIZE	CAGE CODE	DRAWING NO
1 PLC ± 0.3		APPLICATION SPEC	A3	00779	©=1734366
2 PLC ± 0.2		WEIGHT	SCALE		
3 PLC ± 0.15		CUSTOMER DRAWING	SHEET 5 of 6		
4 PLC ± -			REV C5		
ANGLES ± 3'					
MATERIAL					
FINISH					

4

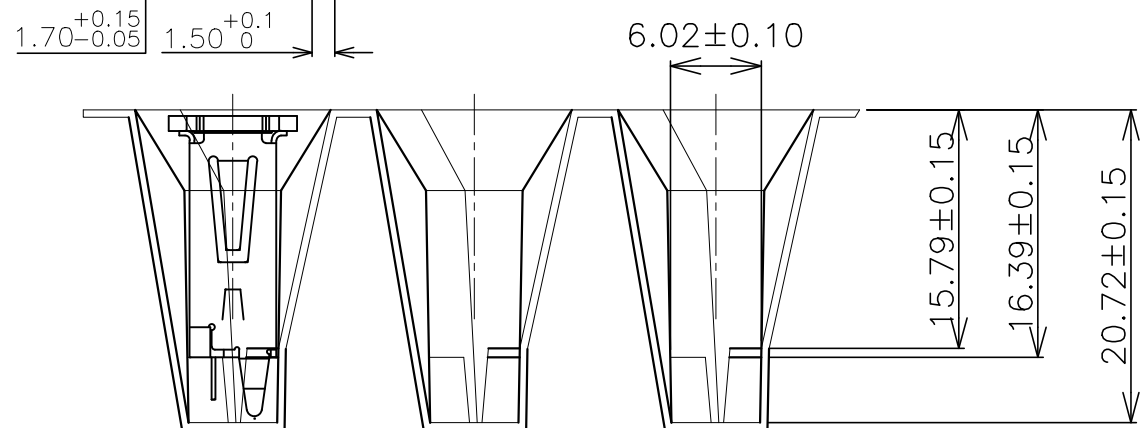
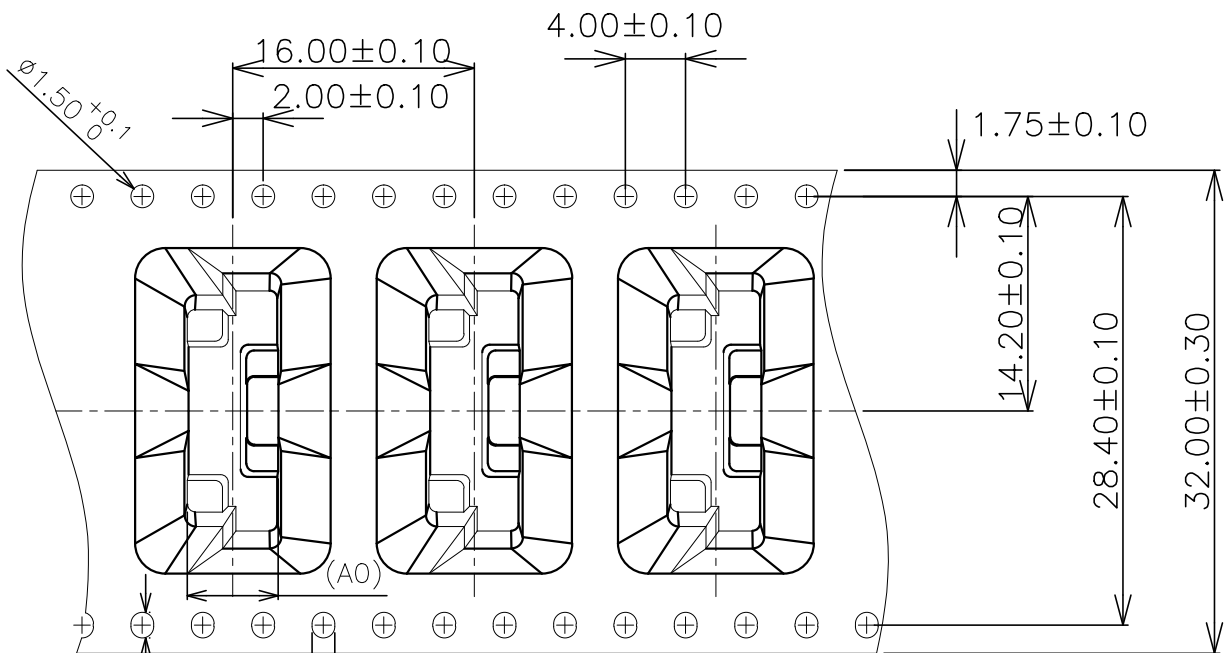
3

2

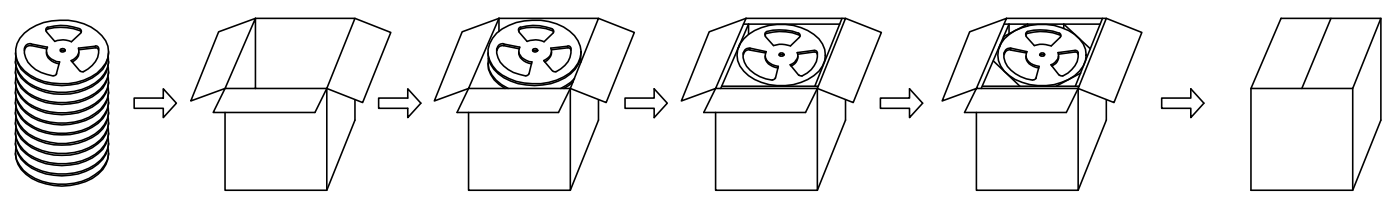
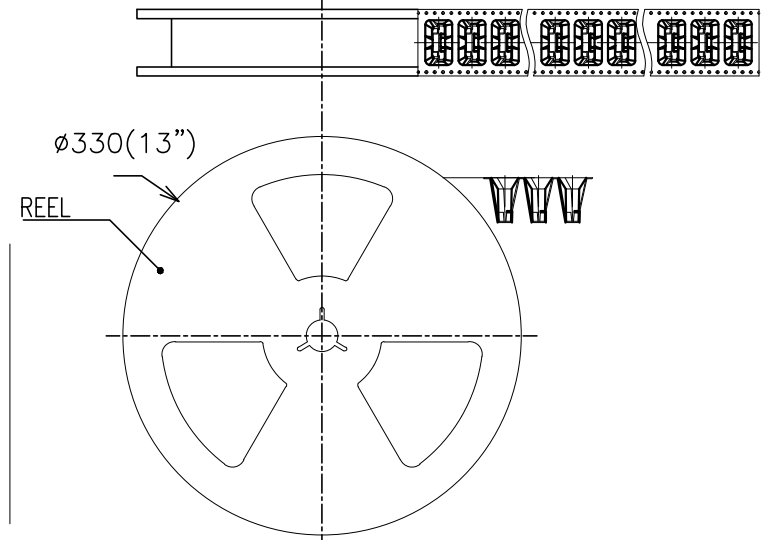
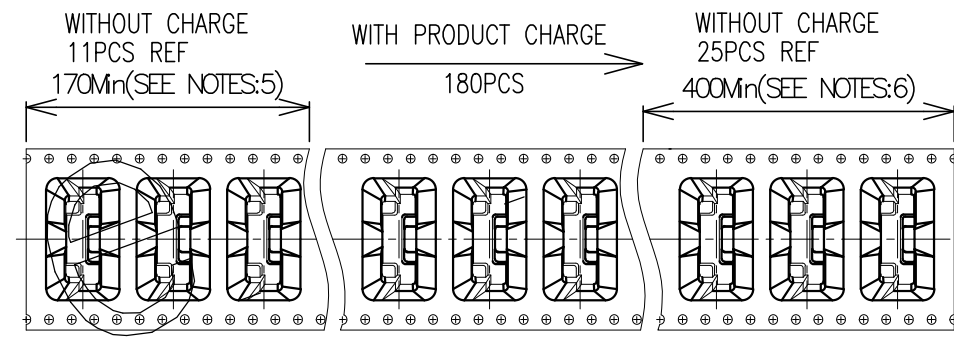
1

THIS DRAWING IS UNPUBLISHED. RELEASED FOR PUBLICATION  
 © COPYRIGHT BY TYCO ELECTRONICS CORPORATION. ALL RIGHTS RESERVED.

LOC		DIST		REVISIONS			
P	LTR	DESCRIPTION		DATE	DWN	APVD	
DW							



NOTE :  
 1. PACKAGING MATERIAL IN PLASTIC, RUBBER, INK, PIGMENT AND PAINT  
 MUST MEET CONTROLLED SUBSTANCES SPEC PER 230-702.  
 \* CADMIUM AND CADMIUM COMPOUNDS NOT TO EXCEED:5 PPM.  
 \* LEAD, CADMIUM, CHROM VI AND MERCURY NOT TO EXCEED:100 PPM (COMBINED).  
 2. MATERIAL :  
 REEL: BLACK CONDUCTIVE POLYSTYRENE ALLOY



OUT BOX PACKAGE DIAGRAM DRAWING

1440	1734366-6
QTY	PART NUMBER

THIS DRAWING IS A CONTROLLED DOCUMENT.		DWN		<b>STE</b> TE Connectivity	
DIMENSIONS: mm		CHK			
TOLERANCES UNLESS OTHERWISE SPECIFIED:		APVD		NAME	
0 PLC ± -		PRODUCT SPEC		RECEIPT ASSY, VERTICAL, 4 POSITION THRU-HOLE, TYPE A USB	
1 PLC ± 0.3		APPLICATION SPEC		SIZE	
2 PLC ± 0.2		WEIGHT		CAGE CODE	
3 PLC ± 0.15		CUSTOMER DRAWING		DRAWING NO	
4 PLC ± -		SCALE		RESTRICTED TO	
ANGLES ± 3°		SHEET		REV	
MATERIAL		6 of 6		C5	
FINISH		A3 00779		C=1734366	

# Mouser Electronics

Authorized Distributor

Click to View Pricing, Inventory, Delivery & Lifecycle Information:

[TE Connectivity:](#)

[1734366-2](#)