

**Serial EEPROM series Standard EEPROM  
I<sup>2</sup>C BUS EEPROM (2-Wire)**

**BR24G16-3A**

**•General Description**

BR24G16-3A is a serial EEPROM of I<sup>2</sup>C BUS interface method

**•Features**

- Completely conforming to the world standard I<sup>2</sup>C BUS. All controls available by 2 ports of serial clock(SCL) and serial data(SDA)
- Other devices than EEPROM can be connected to the same port, saving microcontroller port
- 1.6V to 5.5V single power source action most suitable for battery use
- 1MHz action is possible (1.7V to 5.5V)
- Up to 16 bytes in page write mode
- Self-timed programming cycle
- Low current consumption
- Prevention of write mistake
  - Write (write protect) function added
  - Prevention of write mistake at low voltage
- More than 1 million write cycles
- More than 40 years data retention
- Noise filter built in SCL / SDA terminal
- Initial delivery state FFh

**•Packages W(Typ.) x D(Typ.)x H(Max.)**

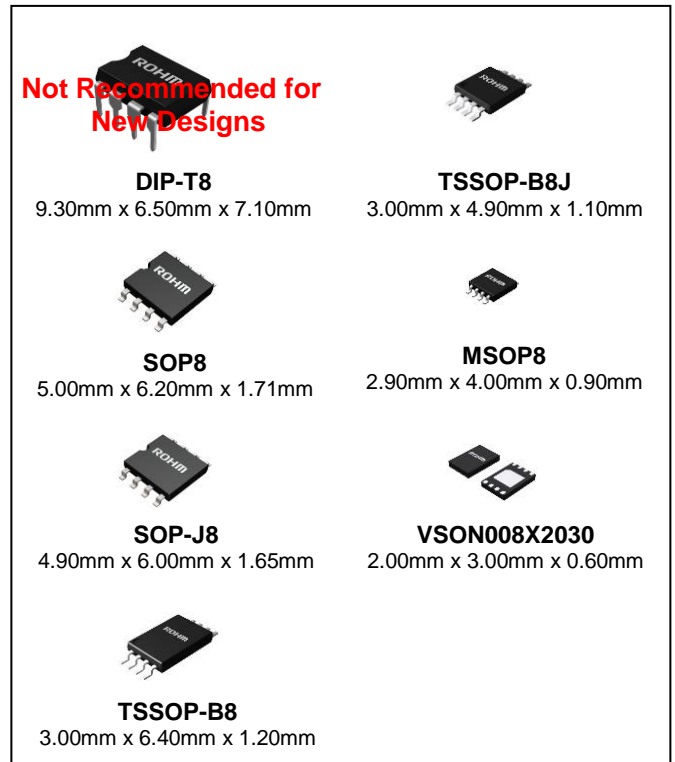


Figure 1.

**•BR24G16-3A**

| Capacity | Bit Format | Type          | Power Source Voltage | Package              |
|----------|------------|---------------|----------------------|----------------------|
| 16Kbit   | 2Kx8       | BR24G16-3A    | 1.6V to 5.5V         | DIP-T8 <sup>*1</sup> |
|          |            | BR24G16F-3A   |                      | SOP8                 |
|          |            | BR24G16FJ-3A  |                      | SOP-J8               |
|          |            | BR24G16FVT-3A |                      | TSSOP-B8             |
|          |            | BR24G16FVJ-3A |                      | TSSOP-B8J            |
|          |            | BR24G16FVM-3A |                      | MSOP8                |
|          |            | BR24G16NUX-3A |                      | VSON008X2030         |

\*1 Not Recommended for New Designs.

### •Absolute Maximum Ratings (Ta=25°C)

| Parameter  | Symbol            | Ratings                      | Unit | Remarks  |
|--|-------------------|------------------------------|------|--|
| Supply Voltage   | V <sub>CC</sub>   | -0.3 to +6.5                 | V    |  |
| Power Dissipation  | P <sub>d</sub>    | 450 (SOP8)                   | mW   | When using at Ta=25°C or higher 4.5mW to be reduced per 1°C.   |
|  |                   | 450 (SOP-J8)                 |      | When using at Ta=25°C or higher 4.5mW to be reduced per 1°C.   |
|  |                   | 330 (TSSOP-B8)               |      | When using at Ta=25°C or higher 3.3mW to be reduced per 1°C.   |
|  |                   | 310 (TSSOP-B8J)              |      | When using at Ta=25°C or higher 3.1mW to be reduced per 1°C.   |
|  |                   | 310 (MSOP8)                  |      | When using at Ta=25°C or higher 3.1mW to be reduced per 1°C.   |
|  |                   | 300 (VSON008X2030)           |      | When using at Ta=25°C or higher 3.0mW to be reduced per 1°C.   |
|  |                   | 800 (DIP-T8 <sup>*1</sup> )  |      | When using at Ta=25°C or higher 8.0mW to be reduced per 1°C.   |
| Storage Temperature                                      | T <sub>stg</sub>  | -65 to +150                  | °C   |  |
| Operation Temperature                                    | T <sub>opr</sub>  | -40 to +85                   | °C   |  |
| Input Voltage/<br>Output Voltage                         | -                 | -0.3 to V <sub>CC</sub> +1.0 | V    | The Max value of Input voltage / output voltage is not over 6.5V.<br>When the pulse width is 50ns or less, the Min value of input voltage / output voltage is not under -1.0V. |
| Junction Temperature                                     | T <sub>jmax</sub> | 150                          | °C   | Junction temperature at the storage condition  |
| Electrostatic discharge<br>voltage<br>(human body model) | V <sub>ESD</sub>  | -4000 to +4000               | V    |  |

\*1 Not Recommended for New Designs.

### •Memory Cell Characteristics (Ta=25°C, V<sub>CC</sub>=1.6V to 5.5V)

| Parameter                    | Limits    |      |     | Unit  |
|------------------------------|-----------|------|-----|-------|
|                              | Min.      | Typ. | Max |       |
| Write cycles <sup>*2</sup>   | 1,000,000 | -    | -   | Times |
| Data retention <sup>*2</sup> | 40        | -    | -   | Years |

\*2 Not 100% TESTED

### •Recommended Operating Ratings

| Parameter      | Symbol          | Ratings              | Unit |
|----------------|-----------------|----------------------|------|
| Supply voltage | V <sub>CC</sub> | 1.6 to 5.5           | V    |
| Input voltage  | V <sub>IN</sub> | 0 to V <sub>CC</sub> |      |

### •DC Characteristics (Unless otherwise specified, Ta=-40 to +85°C, V<sub>CC</sub> =1.6 to 5.5V)

| Parameter              | Symbol           | Limits             |      |                      | Unit | Conditions   |
|------------------------|------------------|--------------------|------|----------------------|------|--|
|                        |                  | Min.               | Typ. | Max.                 |      |  |
| Input High Voltage1    | V <sub>IH1</sub> | 0.7V <sub>CC</sub> | -    | V <sub>CC</sub> +1.0 | V    | 1.7V≤V <sub>CC</sub> ≤5.5V   |
| Input Low Voltage1     | V <sub>IL1</sub> | -0.3 <sup>*3</sup> | -    | 0.3V <sub>CC</sub>   | V    | 1.7V≤V <sub>CC</sub> ≤5.5V   |
| Input High Voltage2    | V <sub>IH2</sub> | 0.8V <sub>CC</sub> | -    | V <sub>CC</sub> +1.0 | V    | 1.6V≤V <sub>CC</sub> <1.7V   |
| Input Low Voltage2     | V <sub>IL2</sub> | -0.3 <sup>*3</sup> | -    | 0.2V <sub>CC</sub>   | V    | 1.6V≤V <sub>CC</sub> <1.7V   |
| Output Low Voltage1    | V <sub>OL1</sub> | -                  | -    | 0.4                  | V    | I <sub>OL</sub> =3.0mA, 2.5V≤V <sub>CC</sub> ≤5.5V (SDA)                                       |
| Output Low Voltage2    | V <sub>OL2</sub> | -                  | -    | 0.2                  | V    | I <sub>OL</sub> =0.7mA, 1.6V≤V <sub>CC</sub> <2.5V (SDA)                                       |
| Input Leakage Current  | I <sub>LI</sub>  | -1                 | -    | 1                    | μA   | V <sub>IN</sub> =0 to V <sub>CC</sub>  |
| Output Leakage Current | I <sub>LO</sub>  | -1                 | -    | 1                    | μA   | V <sub>OUT</sub> =0 to V <sub>CC</sub> (SDA)   |
| Supply Current (Write) | ICC1             | -                  | -    | 2.0                  | mA   | V <sub>CC</sub> =5.5V, f <sub>SCL</sub> =1MHz, t <sub>WR</sub> =5ms,<br>Byte write, page write |
| Supply Current (Read)  | ICC2             | -                  | -    | 2.0                  |      | V <sub>CC</sub> =5.5V, f <sub>SCL</sub> =1MHz<br>Random read, current read,<br>sequential read |
| Standby Current        | ISB              | -                  | -    | 2.0                  | μA   | V <sub>CC</sub> =5.5V, SDA, SCL=V <sub>CC</sub><br>A0, A1, A2=GND, WP=GND                      |

\*3 When the pulse width is 50ns or less, it is -1.0V.

●AC Characteristics (Unless otherwise specified, Ta=-40 to +85°C)

| Parameter                     | Symbol   | Limits<br>(1.6V≤Vcc<1.7V) |      |      | Limits<br>(1.7V≤Vcc≤5.5V) |      |      | Unit |
|-------------------------------|----------|---------------------------|------|------|---------------------------|------|------|------|
|                               |          | Min.                      | Typ. | Max. | Min.                      | Typ. | Max. |      |
| Clock Frequency               | fSCL     | -                         | -    | 400  | -                         | -    | 1000 | kHz  |
| Data Clock "HIGH" Period      | tHIGH    | 0.6                       | -    | -    | 0.3                       | -    | -    | μs   |
| Data Clock "LOW" Period       | tLOW     | 1.2                       | -    | -    | 0.5                       | -    | -    | μs   |
| SDA, SCL (INPUT) Rise Time *1 | tR       | -                         | -    | 1    | -                         | -    | 0.12 | μs   |
| SDA, SCL (INPUT) Fall Time *1 | tF1      | -                         | -    | 1    | -                         | -    | 0.12 | μs   |
| SDA (OUTPUT) Fall Time *1     | tF2      | -                         | -    | 0.12 | -                         | -    | 0.12 | μs   |
| Start Condition Hold Time     | tHD:STA  | 0.6                       | -    | -    | 0.25                      | -    | -    | μs   |
| Start Condition Setup Time    | tSU:STA  | 0.6                       | -    | -    | 0.20                      | -    | -    | μs   |
| Input Data Hold Time          | tHD:DAT  | 0                         | -    | -    | 0                         | -    | -    | ns   |
| Input Data Setup Time         | tSU:DAT  | 100                       | -    | -    | 50                        | -    | -    | ns   |
| Output Data Delay Time        | tPD      | 0.1                       | -    | 0.9  | 0.05                      | -    | 0.45 | μs   |
| Output Data Dold Time         | tDH      | 0.1                       | -    | -    | 0.05                      | -    | -    | μs   |
| Stop Condition Setup Time     | tSU:STO  | 0.6                       | -    | -    | 0.25                      | -    | -    | μs   |
| Bus Free Time                 | tBUF     | 1.2                       | -    | -    | 0.5                       | -    | -    | μs   |
| Write Cycle Time              | tWR      | -                         | -    | 5    | -                         | -    | 5    | ms   |
| Noise Spike Width (SDA, SCL)  | tI       | -                         | -    | 0.05 | -                         | -    | 0.05 | μs   |
| WP Hold Time                  | tHD:WP   | 1.0                       | -    | -    | 1.0                       | -    | -    | μs   |
| WP Setup Time                 | tSU:WP   | 0.1                       | -    | -    | 0.1                       | -    | -    | μs   |
| WP High Period                | tHIGH:WP | 1.0                       | -    | -    | 1.0                       | -    | -    | μs   |

\*1 Not 100% tested

●AC Characteristics Condition

| Parameter                                | Symbol    | Condition     | Unit |
|--|-----------|---------------|------|
| Load Capacitance                         | CL        | 100           | pF   |
| SDA, SCL (INPUT) Rise Time               | tR        | 20            | ns   |
| SDA, SCL (INPUT) Fall Time               | tF1       | 20            | ns   |
| Input Data Level                         | VIL1/VIH1 | 0.2Vcc/0.8Vcc | V    |
| Input/Output Data Timing Reference Level | -         | 0.3Vcc/0.7Vcc | V    |

•Serial Input / Output timing

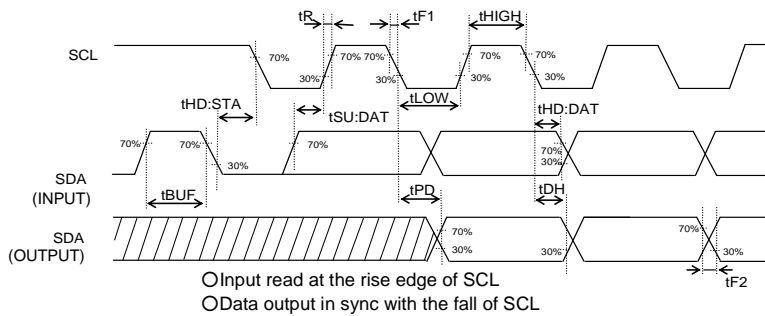


Figure 2-(a). Serial input / output timing

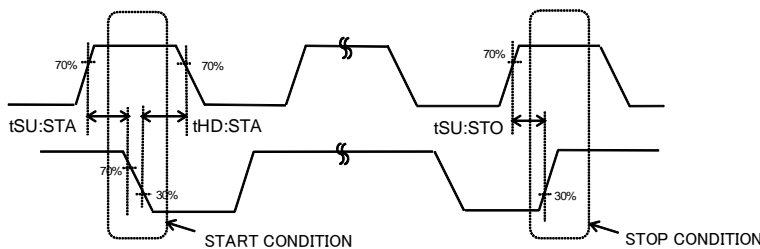


Figure 2-(b). Start-stop bit timing

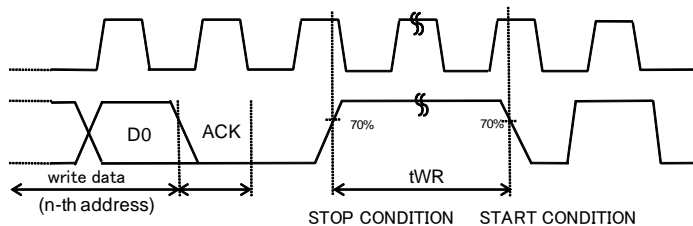


Figure 2-(c). Write cycle timing

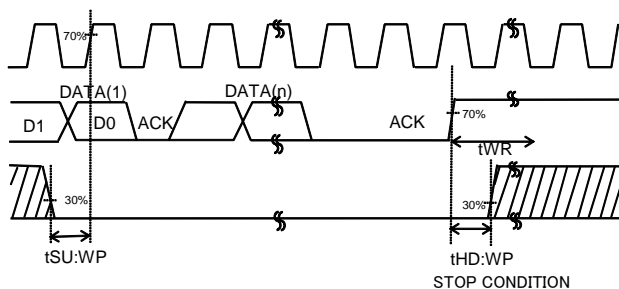


Figure 2-(d). WP timing at write execution

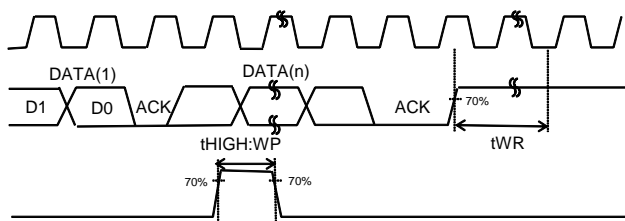


Figure 2-(e). WP timing at write cancel

## ●Block Diagram

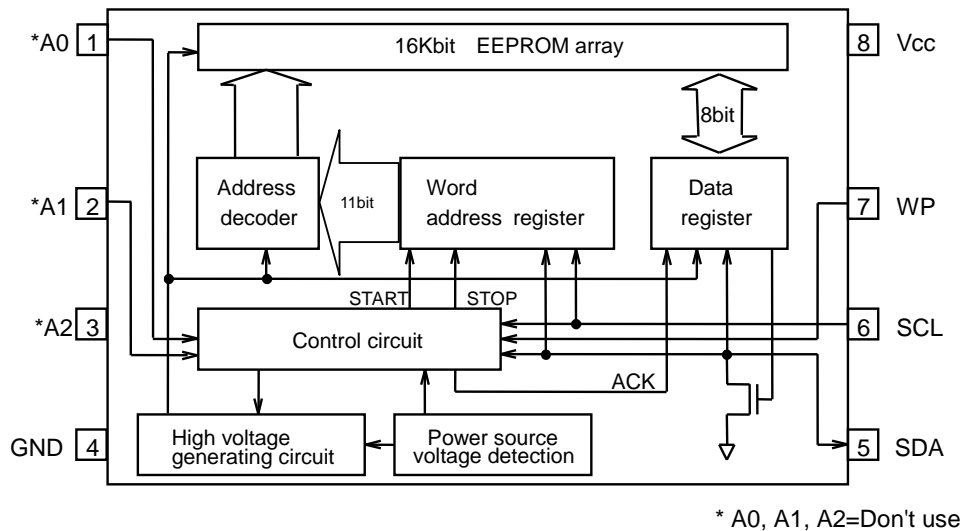
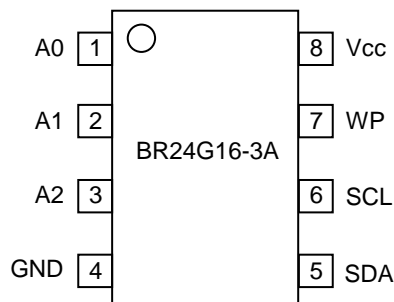


Figure 3. Block diagram

## ●Pin Configuration



## ●Pin Descriptions

| Terminal Name | Input/Output | Function                                    |
|---------------|--------------|---|
| A0            | Input        | Don't use*                                  |
| A1            | Input        | Don't use*                                  |
| A2            | Input        | Don't use*                                  |
| GND           | -            | Reference voltage of all input / output, 0V |
| SDA           | Input/output | Serial data input serial data output        |
| SCL           | Input        | Serial clock input                          |
| WP            | Input        | Write protect terminal                      |
| Vcc           | -            | Connect the power source.                   |

\*Pins not used as device address may be set to any of 'H', 'L', and 'Hi-Z'.

•Typical Performance Curves

(The following values are Typ. ones)

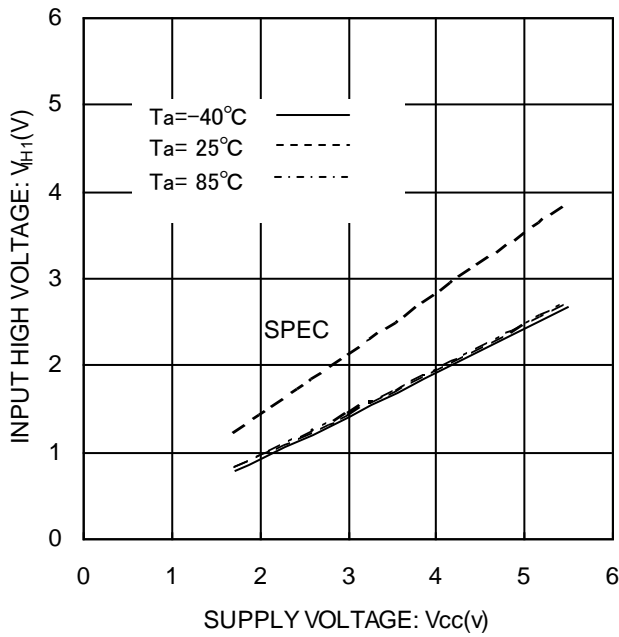


Figure 4. Input High Voltage1,2 VIH1,2 (SCL, SDA, WP)

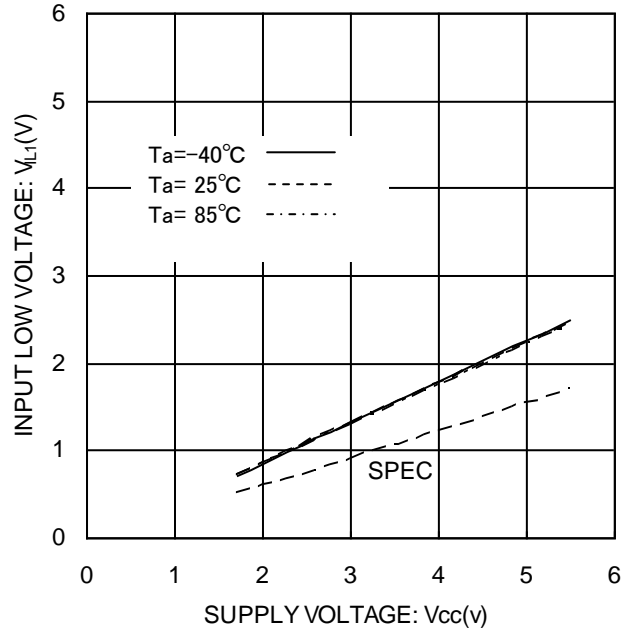


Figure 5. Input Low Voltage1,2 VIL1,2 (SCL, SDA, WP)

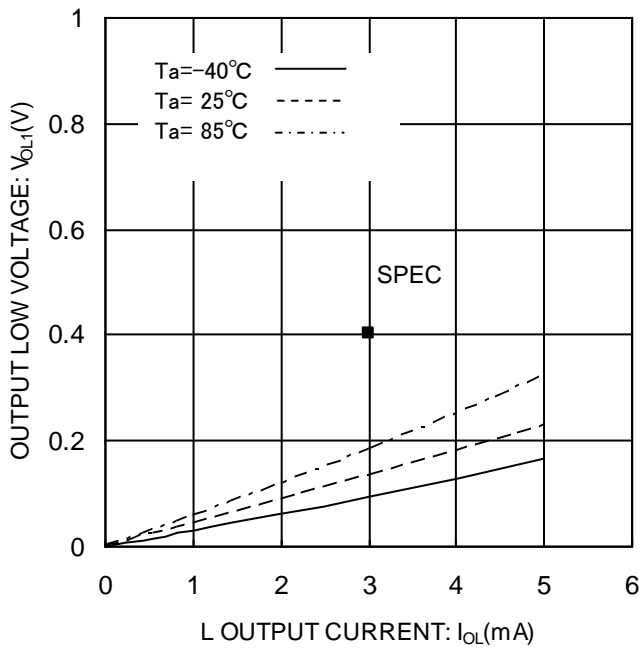


Figure 6. Output Low Voltage1 VOL1 (Vcc=2.5V)

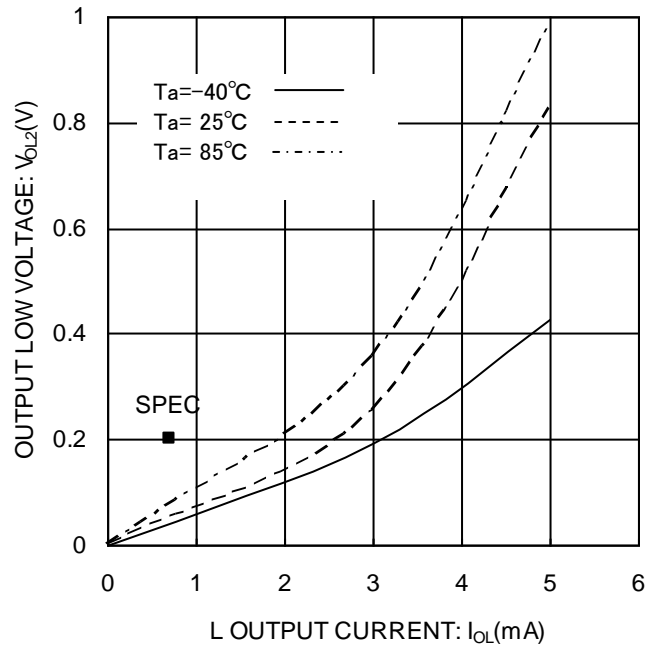


Figure 7. Output Low Voltage2 VOL2 (Vcc=1.6V)

•Typical Performance Curves - Continued

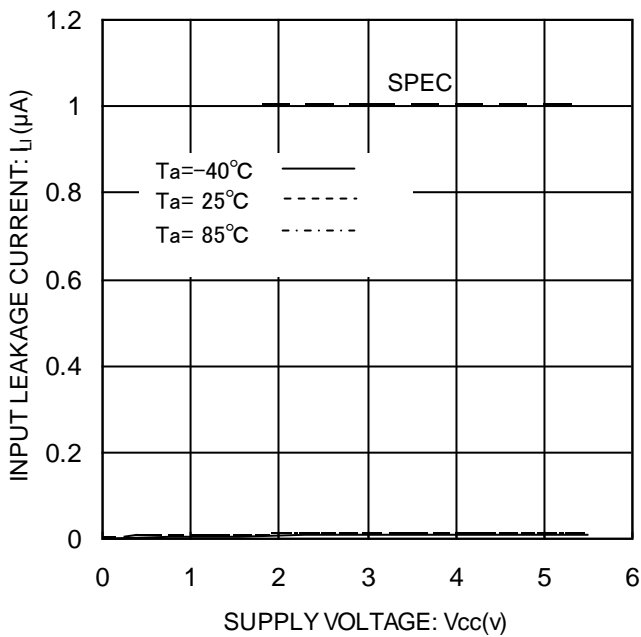


Figure 8. Input Leakage Current ILI (SCL, WP)

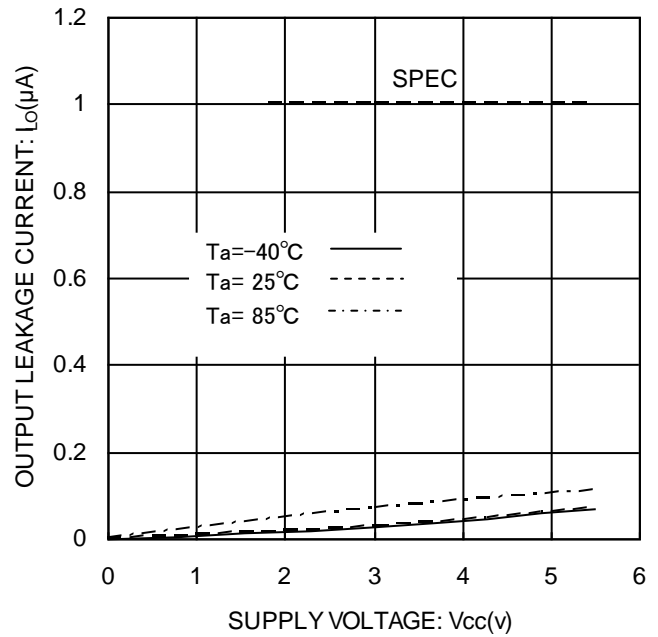


Figure 9. Output Leakage Current ILO (SDA)

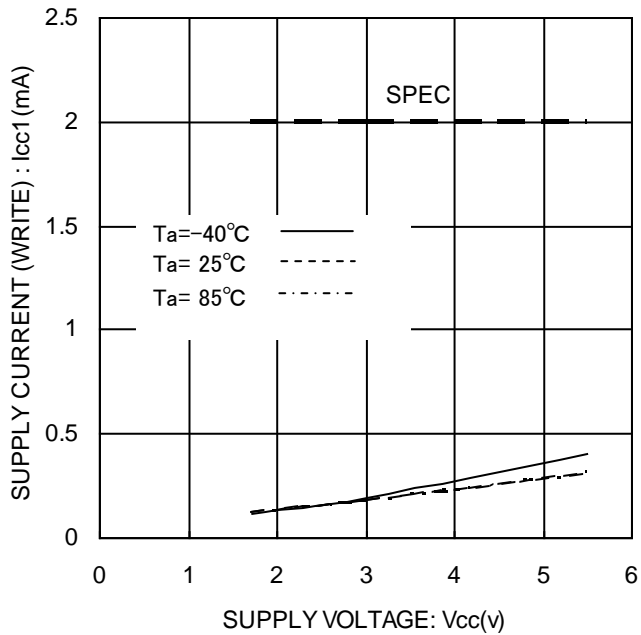


Figure 10. Supply Current (WRITE) ICC1 (fsc1=1MHz)

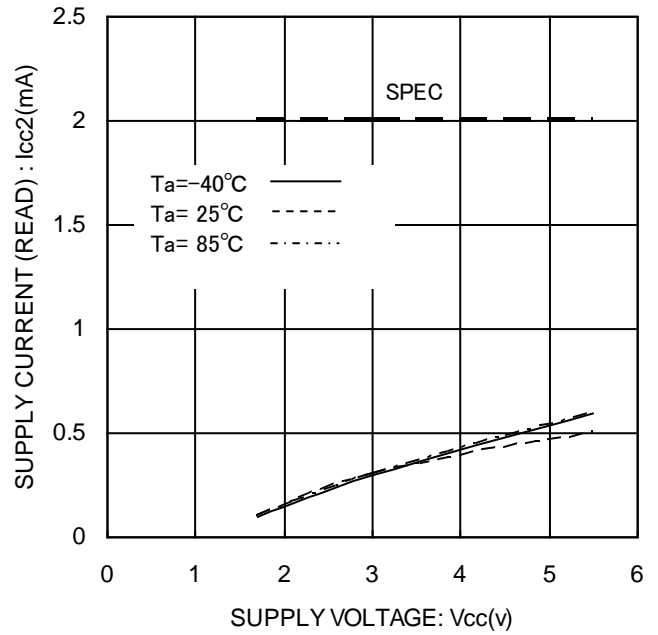


Figure 11. Supply Current (READ) ICC2 (fsc1=1MHz)

•Typical Performance Curves - Continued

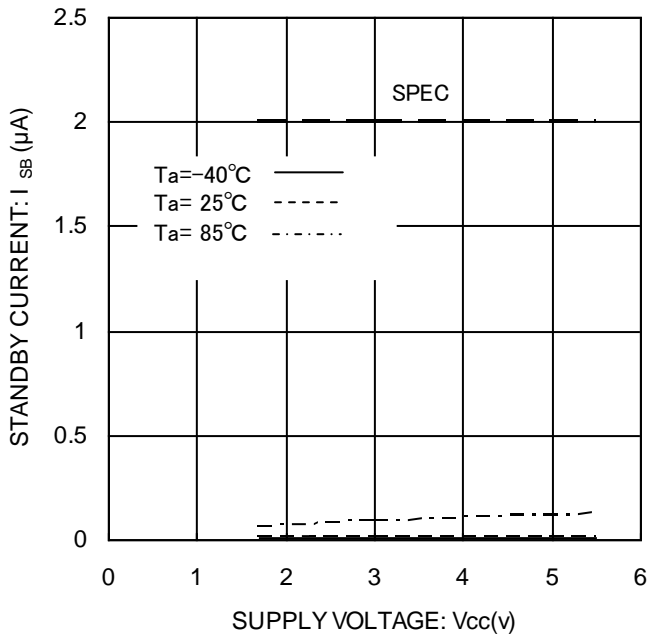


Figure 12. Standby Current I<sub>SB</sub>

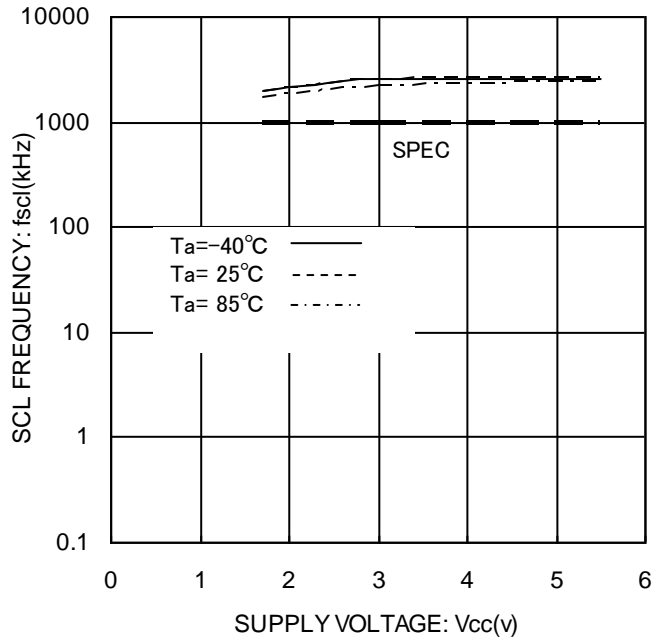


Figure 13. Clock Frequency f<sub>SCL</sub>

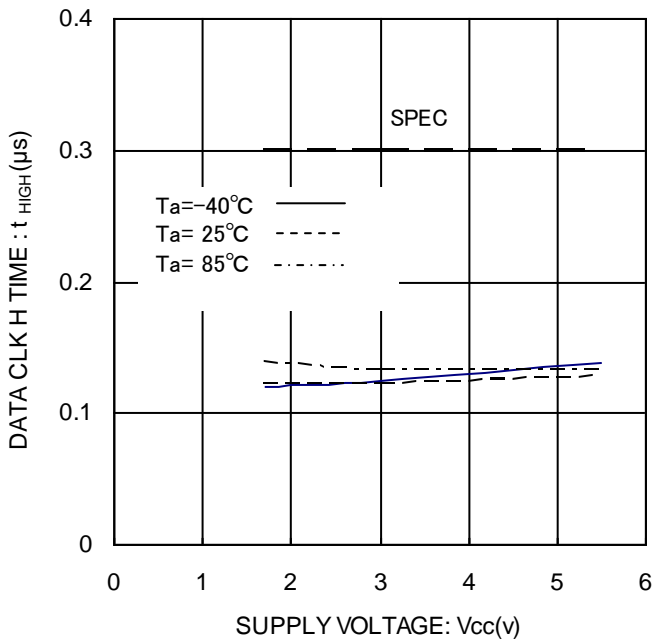


Figure 14. Data Clock High Period t<sub>HIGH</sub>

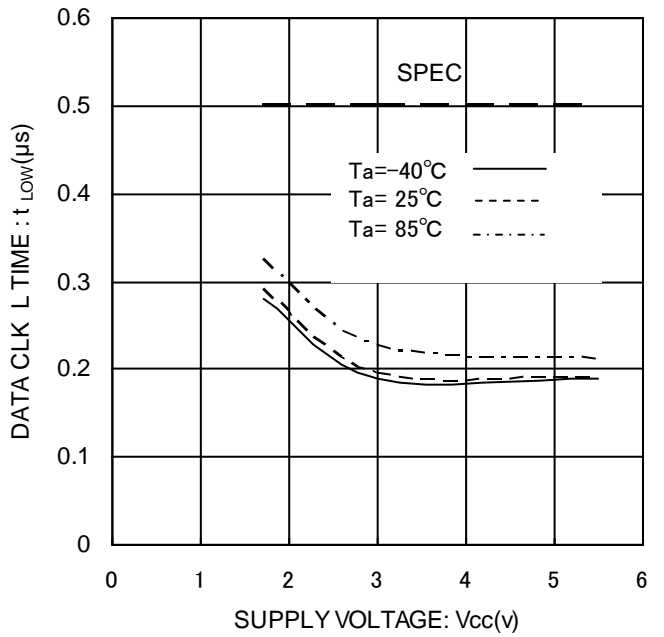


Figure 15. Data Clock Low Period t<sub>LOW</sub>



•Typical Performance Curves - Continued

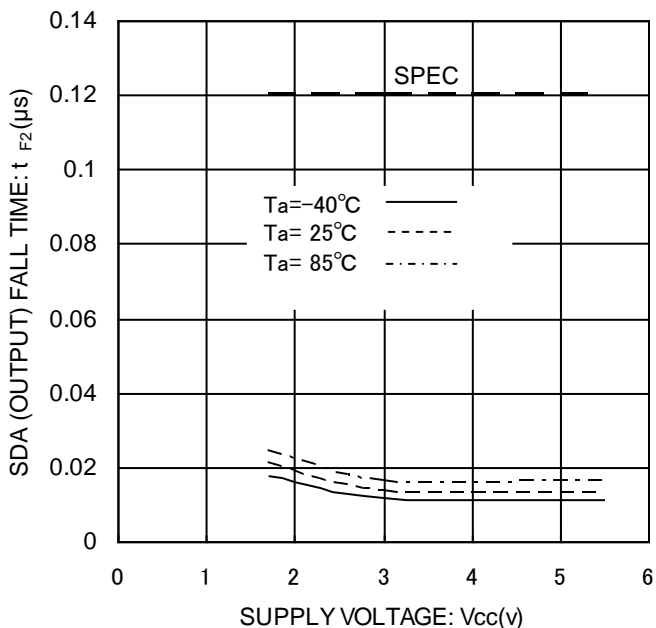


Figure 16. SDA (OUTPUT) Fall Time tF2

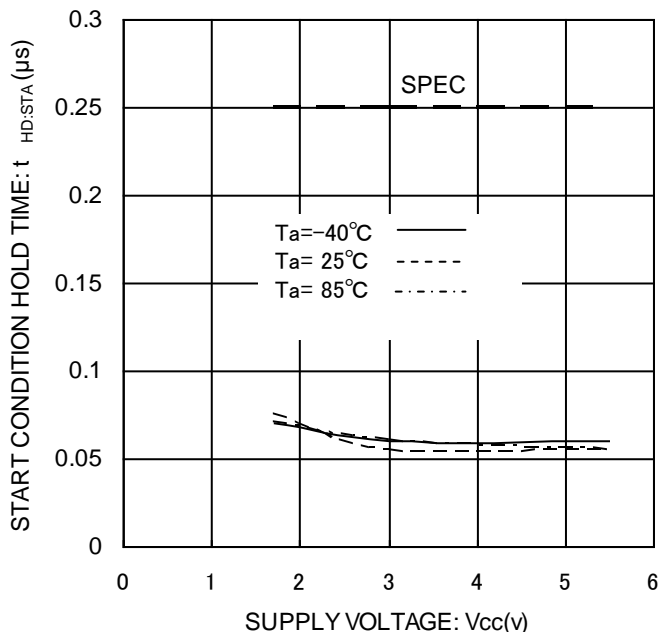


Figure 17. Start Condition Hold Time tHD:STA

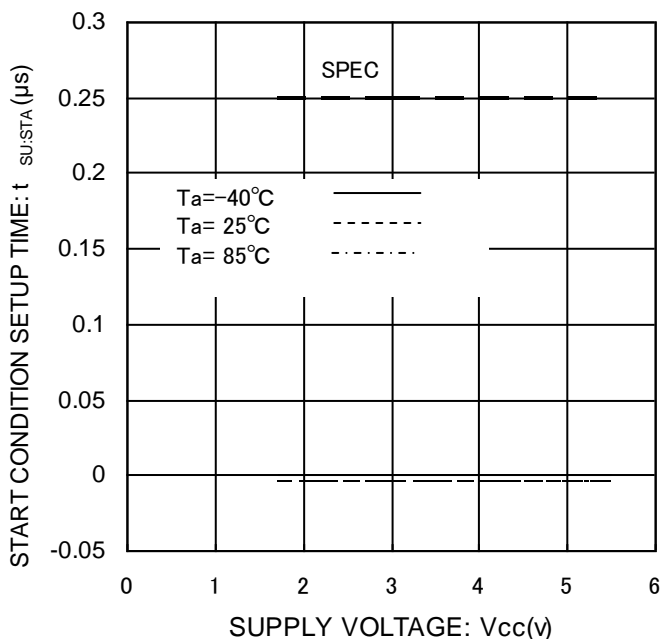


Figure 18. Start Condition Setup Time tSU:STA

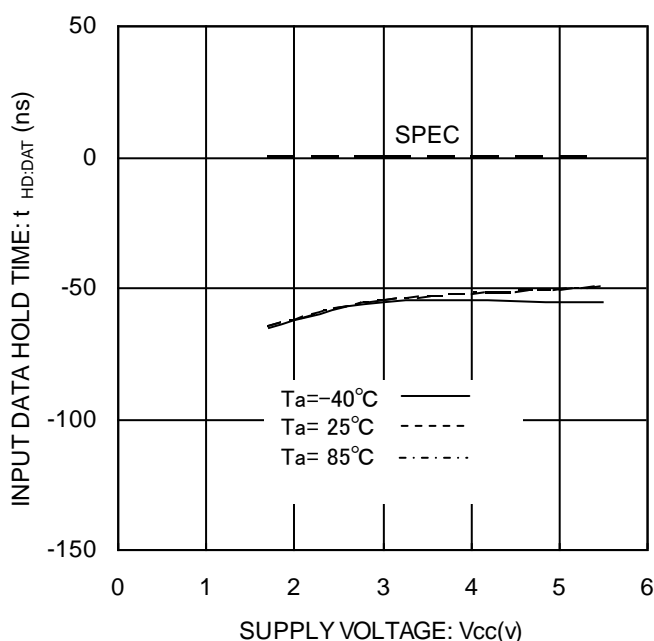


Figure 19. Input Data Hold Time tHD:DAT (HIGH)

•Typical Performance Curves - Continued

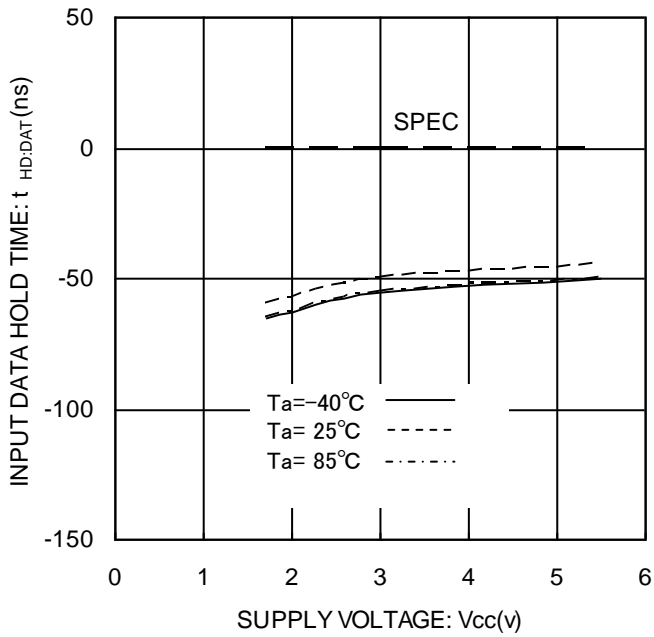


Figure 20. Input Data Hold Time tHD:DAT (LOW)

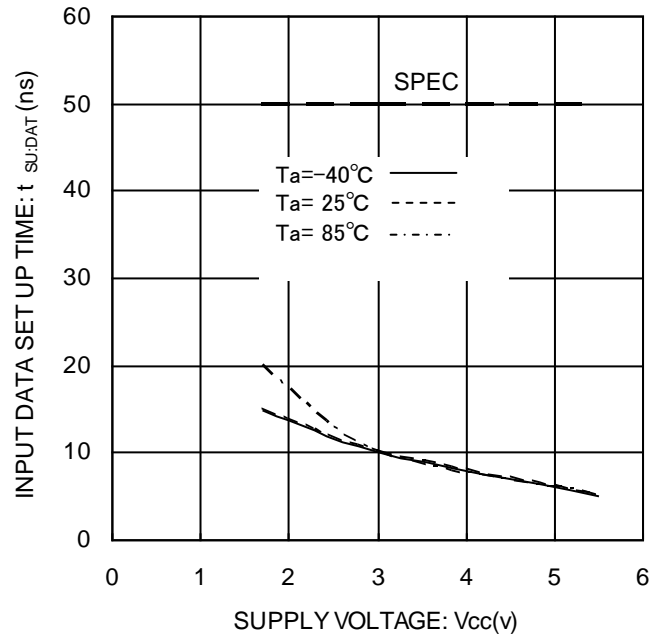


Figure 21. Input Data Setup Time tSU:DAT (HIGH)

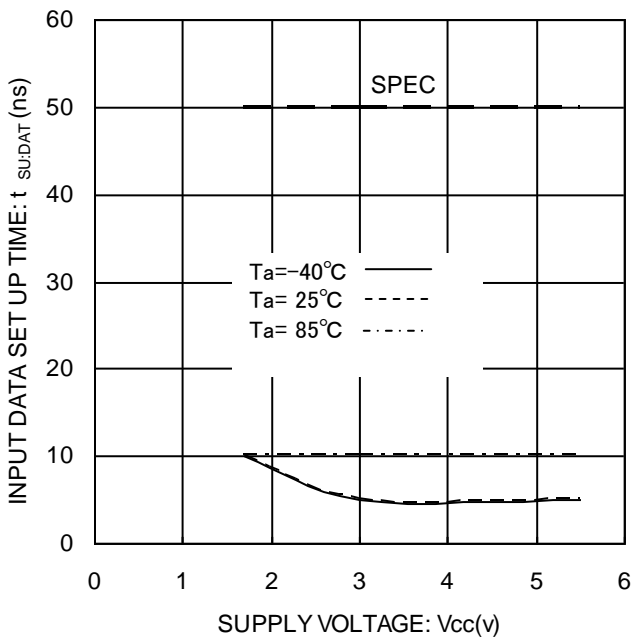


Figure 22. Input Data Setup Time tSU:DAT (LOW)

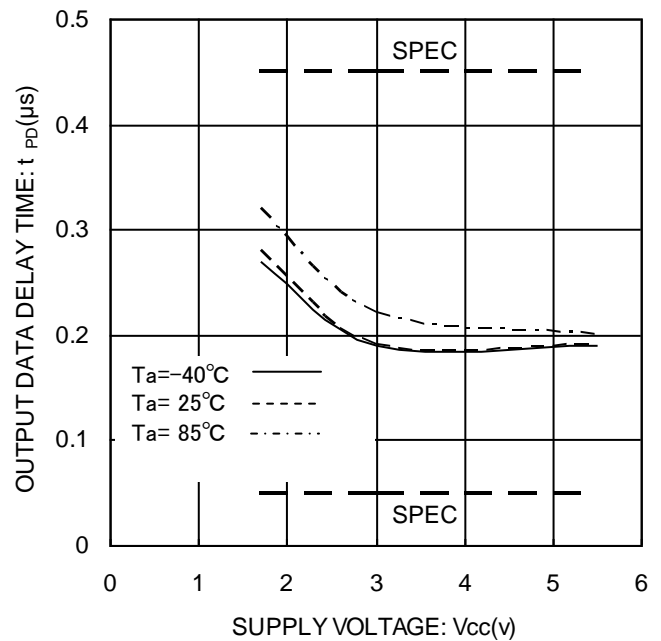


Figure 23. 'L' Output Data Delay Time tPD0

•Typical Performance Curves - Continued

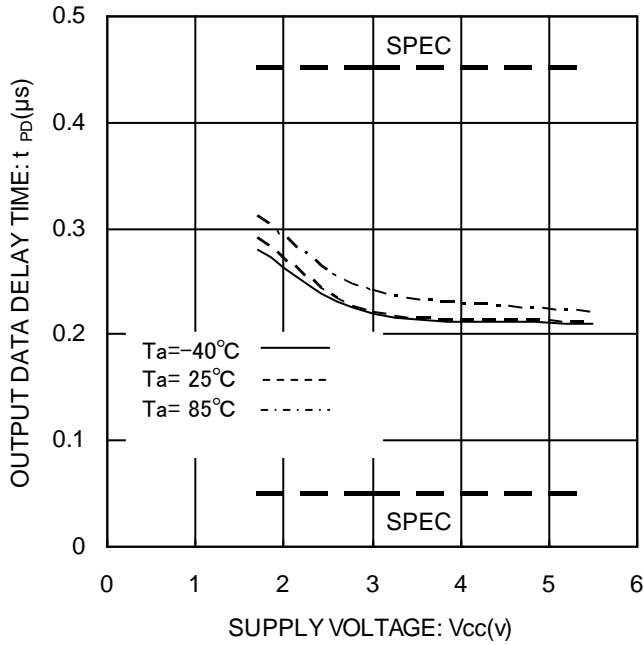


Figure 24. 'H' Output Data Delay Time tPD1

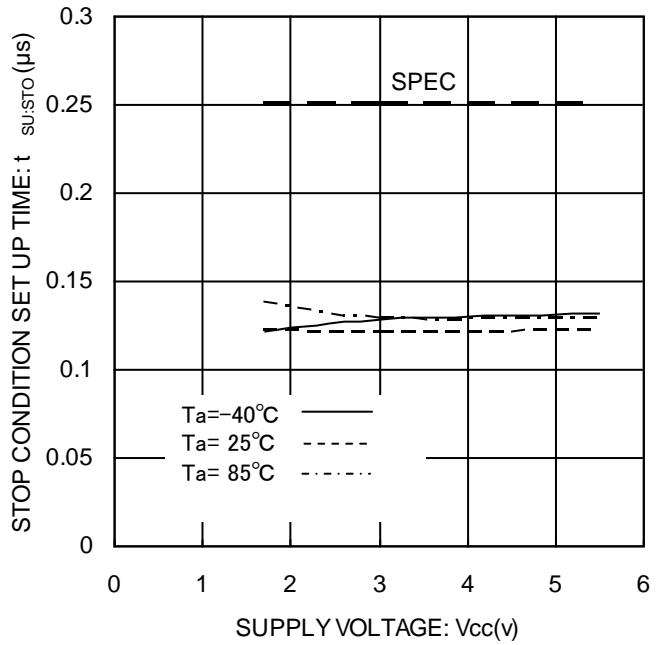


Figure 25. Stop Condition Setup Time tSU:STO

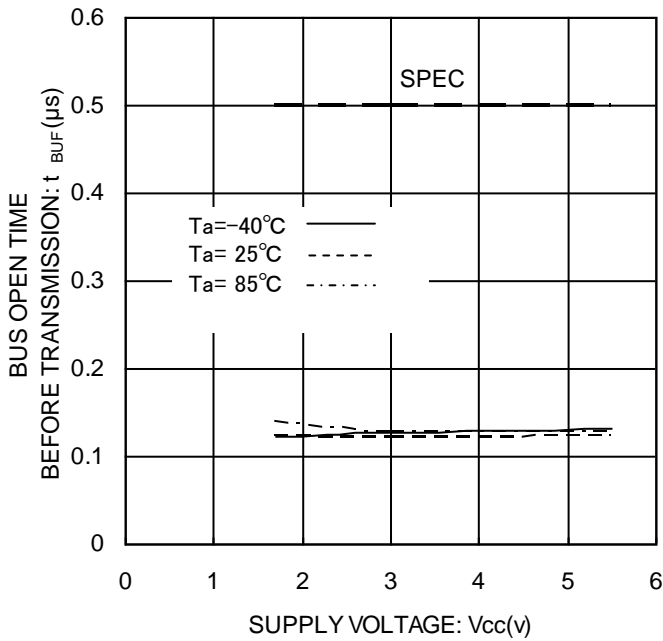


Figure 26. Bus Free Time tBUF

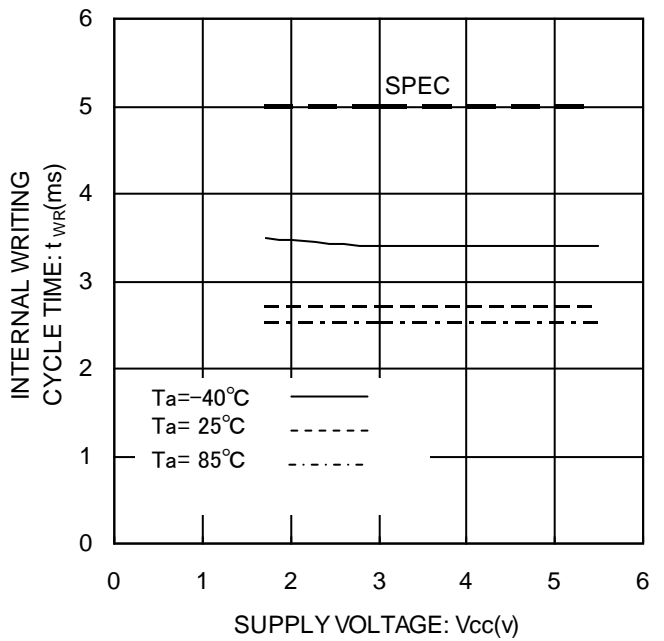


Figure 27. Write Cycle Time tWR

•Typical Performance Curves - Continued

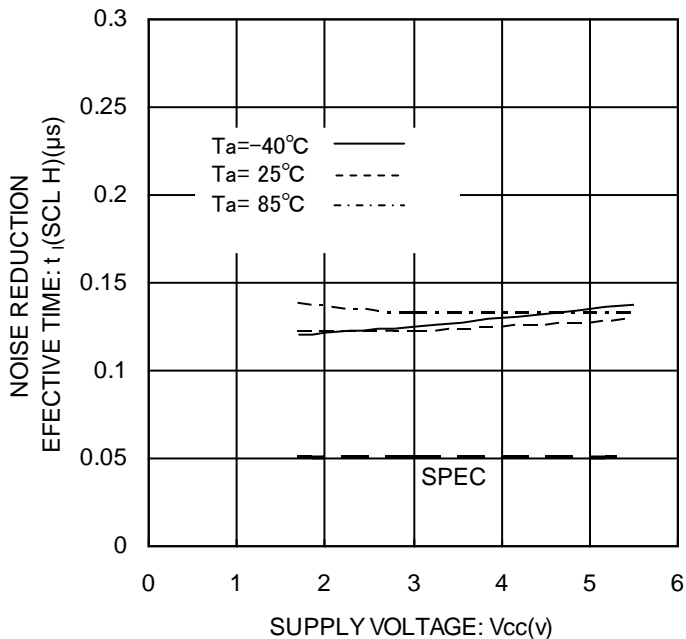


Figure 28. Noise Spike Width  $t_l$  (SCL H)

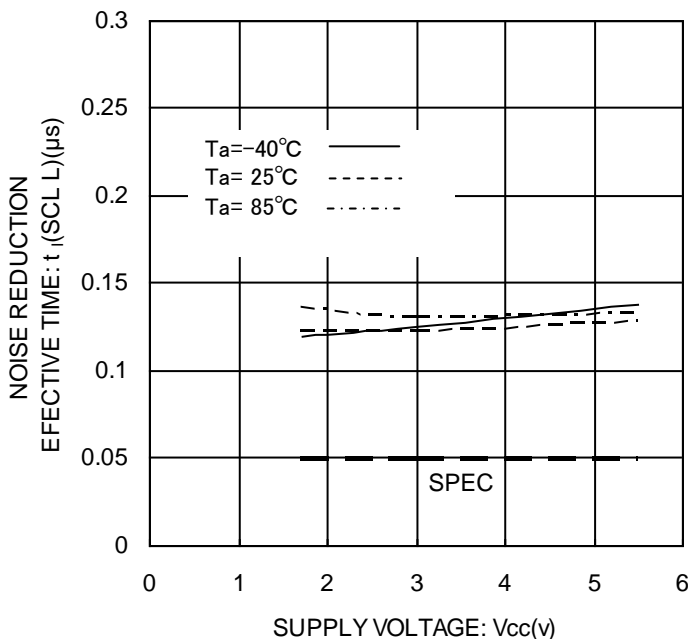


Figure 29. Noise Spike Width  $t_l$  (SCL L)

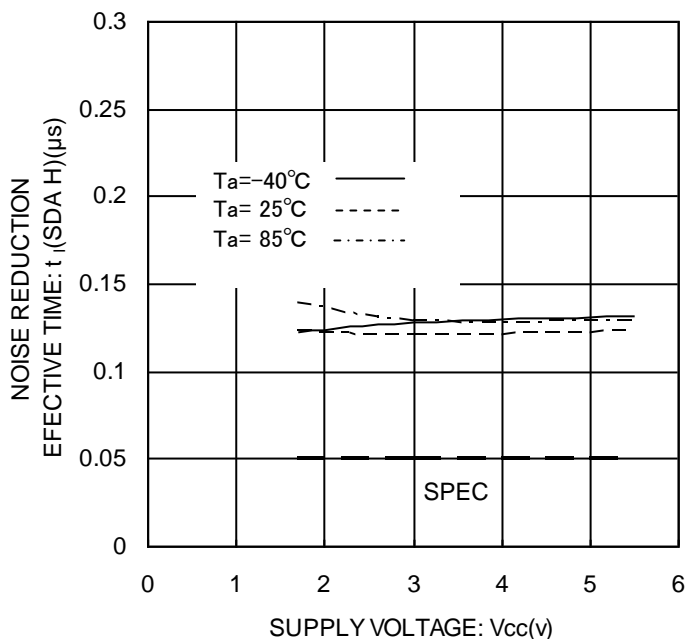


Figure 30. Noise Spike Width  $t_l$  (SDA H)

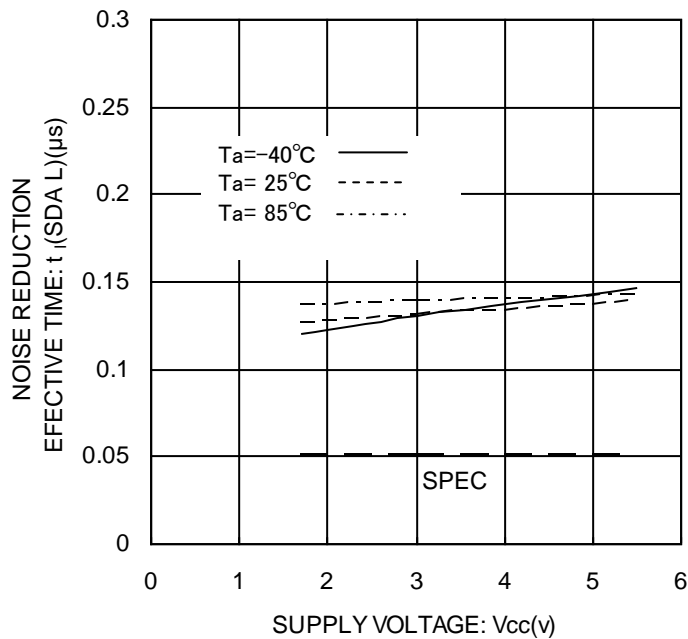


Figure 31. Noise Spike Width  $t_l$  (SDA L)

•Typical Performance Curves - Continued

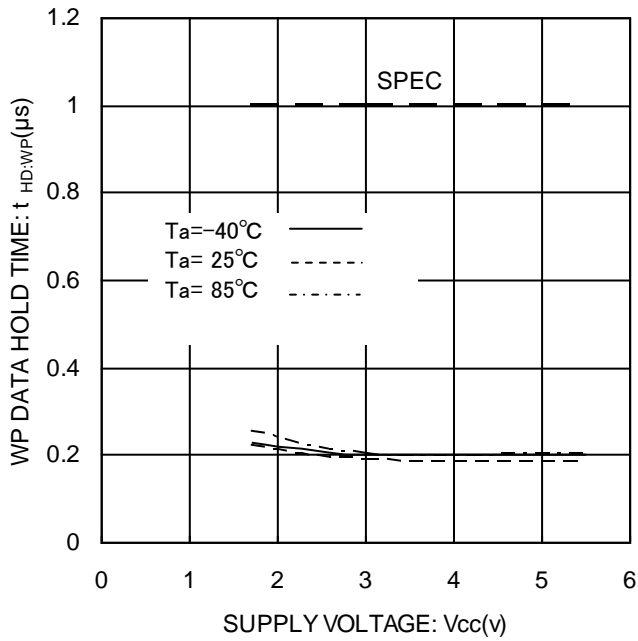


Figure 32. WP Hold Time tHD:WP

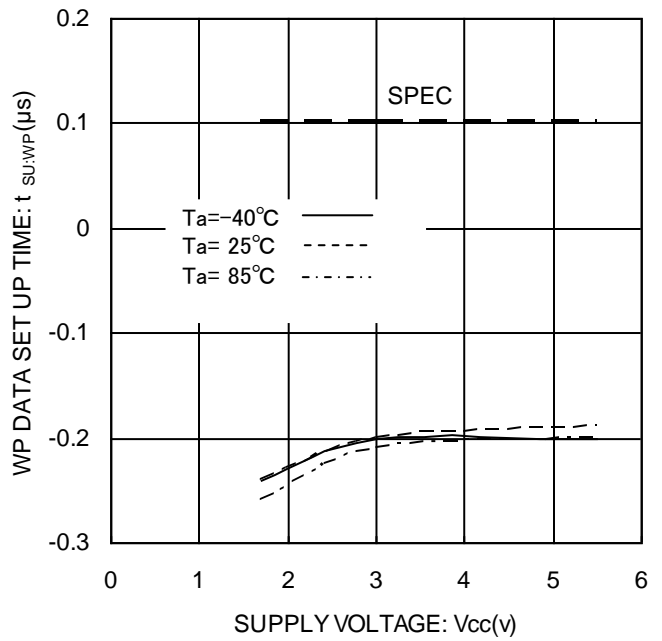


Figure 33. WP Setup Time tSU:WP

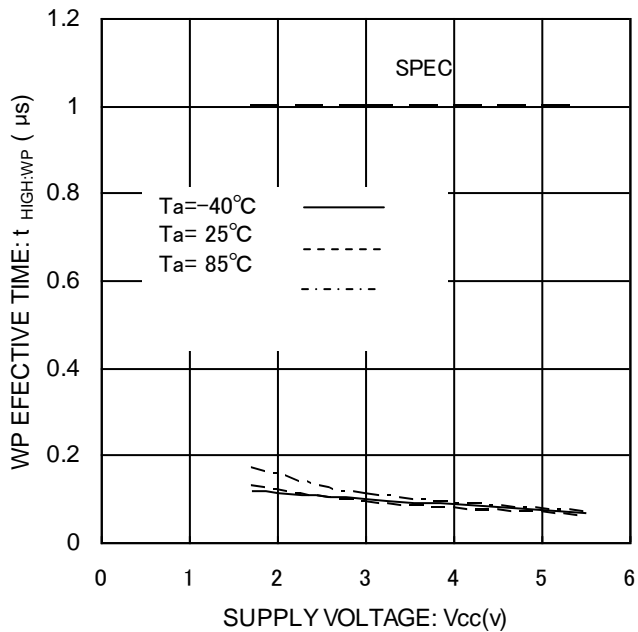


Figure 34. WP High Period tHIGH:WP

## •Timing Chart

### ○I<sup>2</sup>C BUS data communication

I<sup>2</sup>C BUS data communication starts by start condition input, and ends by stop condition input. Data is always 8bit long, and acknowledge is always required after each byte. I<sup>2</sup>C BUS carries out data transmission with plural devices connected by 2 communication lines of serial data (SDA) and serial clock (SCL).

Among devices, there are "master" that generates clock and control communication start and end, and "slave" that is controlled by address peculiar to devices. EEPROM becomes "slave". And the device that outputs data to bus during data communication is called "transmitter", and the device that receives data is called "receiver".

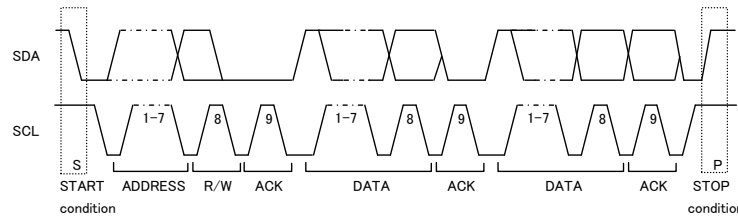


Figure 35. Data transfer timing

### ○Start condition (Start bit recognition)

- Before executing each command, start condition (start bit) where SDA goes from 'HIGH' down to 'LOW' when SCL is 'HIGH' is necessary.
- This IC always detects whether SDA and SCL are in start condition (start bit) or not, therefore, unless this condition is satisfied, any command is executed.

### ○Stop condition (stop bit recognition)

- Each command can be ended by SDA rising from 'LOW' to 'HIGH' when stop condition (stop bit), namely, SCL is 'HIGH'

### ○Acknowledge (ACK) signal

- This acknowledge (ACK) signal is a software rule to show whether data transfer has been made normally or not. In master and slave, the device ( $\mu$ -COM at slave address input of write command, read command, and this IC at data output of read command) at the transmitter (sending) side releases the bus after output of 8bit data.
- The device (this IC at slave address input of write command, read command, and  $\mu$ -COM at data output of read command) at the receiver (receiving) side sets SDA 'LOW' during 9 clock cycles, and outputs acknowledge signal (ACK signal) showing that it has received the 8bit data.
- This IC, after recognizing start condition and slave address (8bit), outputs acknowledge signal (ACK signal) 'LOW'.
- Each write action outputs acknowledge signal (ACK signal) 'LOW', at receiving 8bit data (word address and write data).
- Each read action outputs 8bit data (read data), and detects acknowledge signal (ACK signal) 'LOW'. When acknowledge signal (ACK signal) is detected, and stop condition is not sent from the master ( $\mu$ -COM) side, this IC continues data output. When acknowledge signal (ACK signal) is not detected, this IC stops data transfer, and recognizes stop condition (stop bit), and ends read action. And this IC gets in status.

### ○Device addressing

- Output slave address after start condition from master.
- The significant 4 bits of slave address are used for recognizing a device type.  
The device code of this IC is fixed to '1010'.
- The most insignificant bit (R/W --- READ / WRITE) of slave address is used for designating write or read action, and is as shown below.

Setting R /  $\bar{W}$  to 0 ----- write (setting 0 to word address setting of random read)

Setting R /  $\bar{W}$  to 1 ----- read

| Type       | Slave address                 | Maximum number of Connected buses |
|------------|-------------------------------|-----------------------------------|
| BR24G16-3A | 1 0 1 0 P2 P1 P0 R/ $\bar{W}$ | 1                                 |

P0~P2 are page select bits.

## •Write Command

### ○Write cycle

- Arbitrary data is written to EEPROM. When to write only 1 byte, byte write is normally used, and when to write continuous data of 2 bytes or more, simultaneous write is possible by page write cycle. Up to 16 arbitrary bytes can be written.

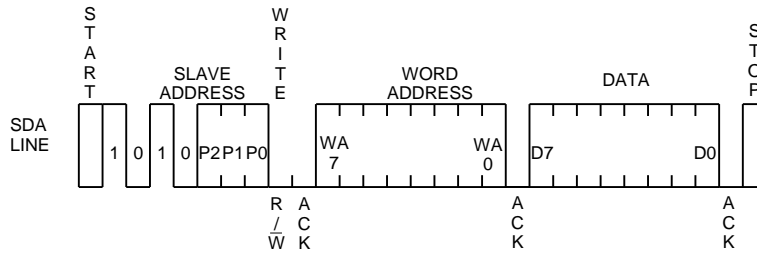


Figure 36. Byte write cycle

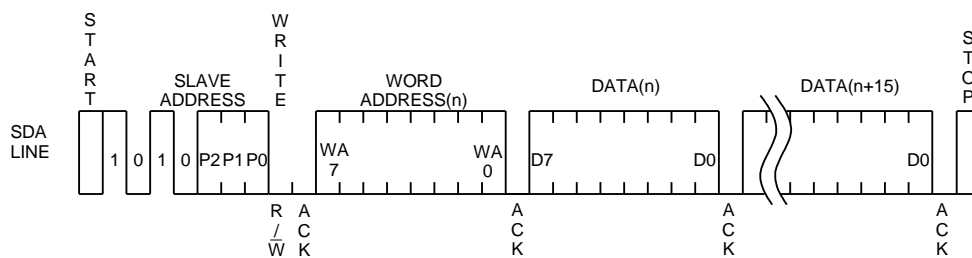


Figure 37. Page write cycle

- During internal write execution, all input commands are ignored, therefore ACK is not sent back.
- Data is written to the address designated by word address (n-th address)
- By issuing stop bit after 8bit data input, write to memory cell inside starts.
- When internal write is started, command is not accepted for  $t_{WR}$  (5ms at maximum).
- By page write cycle, data up to 16 bytes can be written in bulk.

And when data of the maximum bytes or higher is sent, data from the first byte is overwritten.  
(Refer to "Internal address increment")

- As for page write command of BR24G16-3A, after page select bit 'P0,P1,P2' of slave address are designated arbitrarily, by continuing data input of 2 bytes or more, the address of insignificant 4 bits is incremented internally, and data up to 16 bytes can be written.

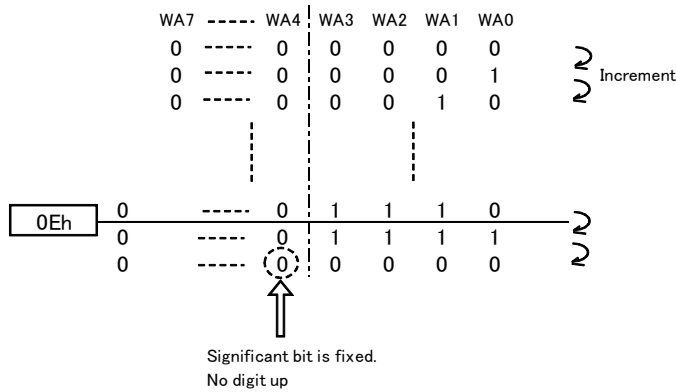
○Notes on write cycle continuous input

The maximum page numbers of BR24G16-3A are 16 bytes. Any bytes below these can be written.

1 page=16bytes, but the page write cycle time is 5ms at maximum for 16byte bulk write.  
It does not stand 5ms at maximum × 16byte=80ms(Max.)

○Internal address increment

Page write mode



For example, when it is started from address 0Eh, therefore, increment is made as below, 0Eh→0Fh→00h→01h··· which please note.

※0Eh···0E in hexadecimal, therefore, 00001110 becomes a binary number.

○Write protect (WP) terminal

- Write protect (WP) function

When WP terminal is set Vcc (H level), data rewrite of all addresses is prohibited. When it is set GND (L level), data rewrite of all address is enabled. Be sure to connect this terminal to Vcc or GND, or control it to H level or L level. Do not use it open.

In the case of use it as an ROM, it is recommended to connect it to pull up or Vcc.

At extremely low voltage at power ON / OFF, by setting the WP terminal 'H', mistake write can be prevented.



## •Read Command

### ○Read cycle

Data of EEPROM is read. In read cycle, there are random read cycle and current read cycle.

Random read cycle is a command to read data by designating address, and is used generally.

Current read cycle is a command to read data of internal address register without designating address, and is used when to verify just after write cycle. In both the read cycles, sequential read cycle is available, and the next address data can be read in succession.

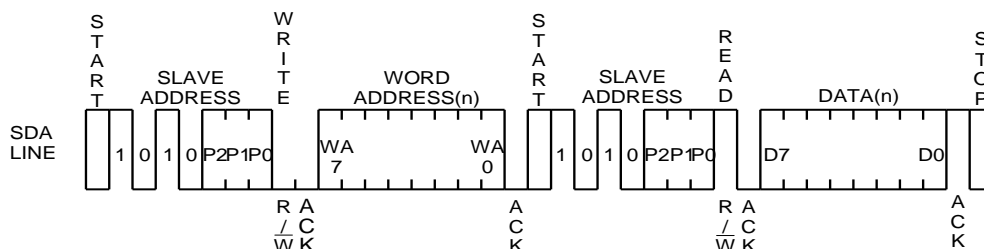


Figure 38. Random read cycle

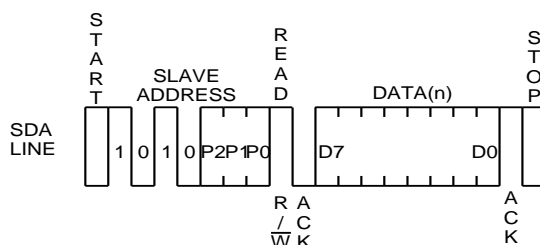


Figure 39. Current read cycle

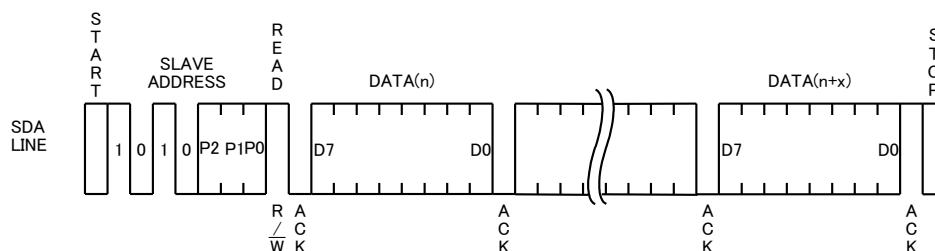


Figure 40. Sequential read cycle (in the case of current read cycle)

- In random read cycle, data of designated word address can be read.
- When the command just before current read cycle is random read cycle, current read cycle (each including sequential read cycle), data of incremented last read address (n)-th address, i.e., data of the (n+1)-th address is output.
- When ACK signal 'LOW' after D0 is detected, and stop condition is not sent from master ( $\mu$ -COM) side, the next address data can be read in succession.
- Read cycle is ended by stop condition where 'H' is input to ACK signal after D0 and SDA signal is started at SCL signal 'H'.
- When 'H' is not input to ACK signal after D0, sequential read gets in, and the next data is output. Therefore, read command cycle cannot be ended. When to end read command cycle, be sure input stop condition to input 'H' to ACK signal after D0, and to start SDA at SCL signal 'H'.
- Sequential read is ended by stop condition where 'H' is input to ACK signal after arbitrary D0 and SDA is started at SCL signal 'H'.

•Software Reset

Software reset is executed when to avoid malfunction after power on, and to reset during command input. Software reset has several kinds, and 3 kinds of them are shown in the figure below. (Refer to Figure 41-(a), Figure 41-(b), Figure 41-(c)) In dummy clock input area, release the SDA bus ('H' by pull up). In dummy clock area, ACK output and read data '0' (both 'L' level) may be output from EEPROM, therefore, if 'H' is input forcibly, output may conflict and over current may flow, leading to instantaneous power failure of system power source or influence upon devices.

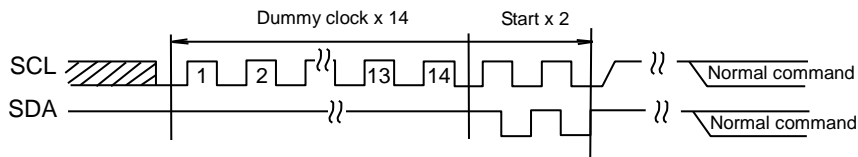


Figure 41-(a). Dummy clock x 14 + START + START + command input

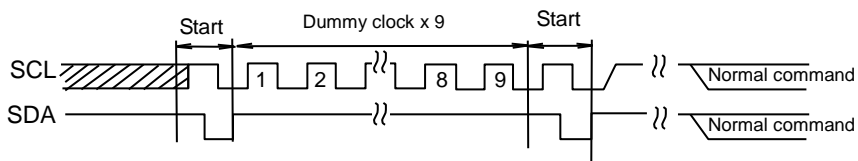


Figure 41-(b). START + dummy clock x 9 + START + command input

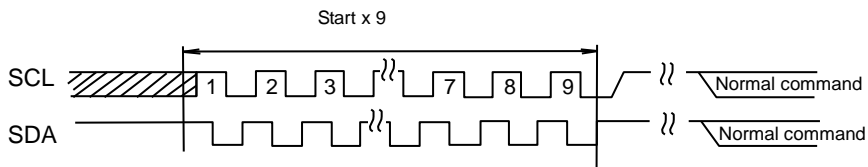


Figure 41-(c). START x 9 + command input

※Start command from START input.

•Acknowledge Polling

During internal write execution, all input commands are ignored, therefore ACK is not sent back. During internal automatic write execution after write cycle input, next command (slave address) is sent, and if the first ACK signal sends back 'L', then it means end of write action, while if it sends back 'H', it means now in writing. By use of acknowledge polling, next command can be executed without waiting for  $t_{WR} = 5ms$ .

When to write continuously,  $R\bar{W} = 0$ , when to carry out current read cycle after write, slave address  $R\bar{W} = 1$  is sent, and if ACK signal sends back 'L', then execute word address input and data output and so forth.

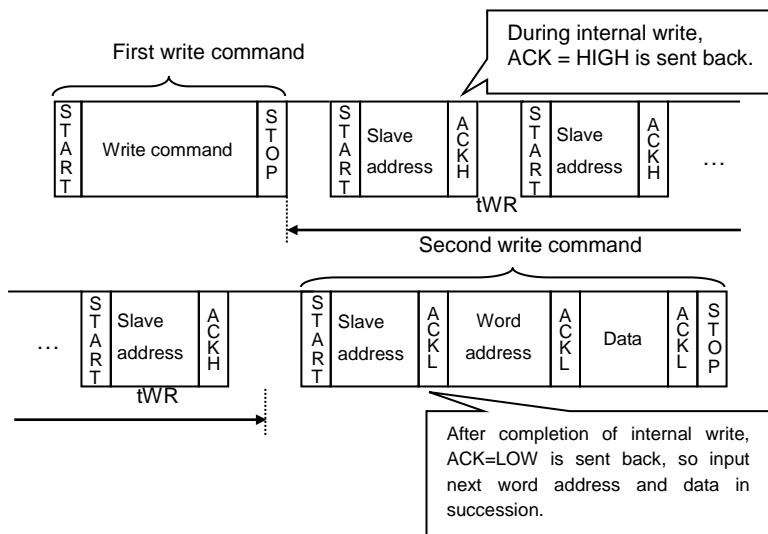


Figure 42. Case to continuously write by acknowledge polling

•WP Valid Timing (Write Cancel)

WP is usually fixed to 'H' or 'L', but when WP is used to cancel write cycle and so forth, pay attention to the following WP valid timing. During write cycle execution, in cancel valid area, by setting WP='H', write cycle can be cancelled. In both byte write cycle and page write cycle, the area from the first start condition of command to the rise of clock to taken in D0 of data(in page write cycle, the first byte data) is cancel invalid area.

WP input in this area becomes don't care. The area from the rise of SCL to take in D0 to input the stop condition is cancel valid area. And, after execution of forced end by WP, standby status gets in.

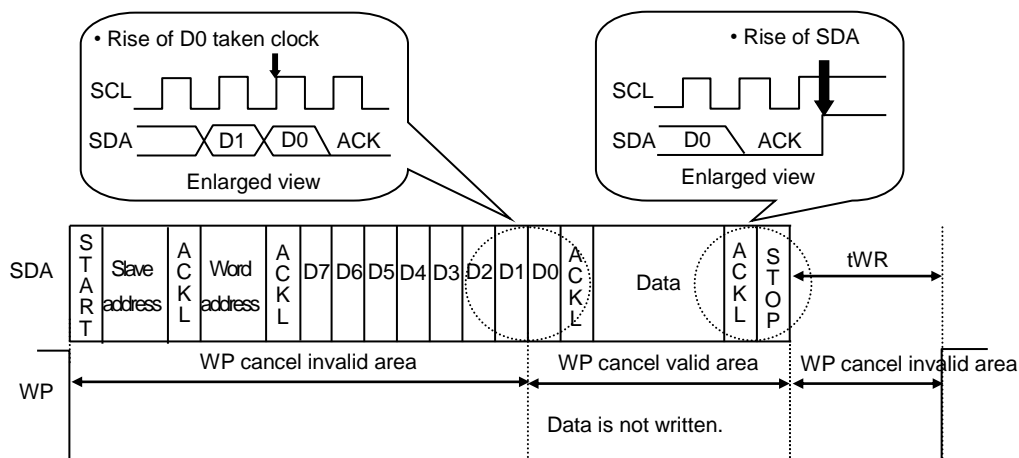


Figure 43. WP valid timing

•Command Cancel by Start Condition and Stop Condition

During command input, by continuously inputting start condition and stop condition, command can be cancelled. (Figure 44) However, in ACK output area and during data read, SDA bus may output 'L', and in this case, start condition and stop condition cannot be input, so reset is not available. Therefore, execute software reset. And when command is cancelled by start, stop condition, during random read cycle, sequential read cycle, or current read cycle, internal setting address is not determined, therefore, it is not possible to carry out current read cycle in succession. When to carry out read cycle in succession, carry out random read cycle.

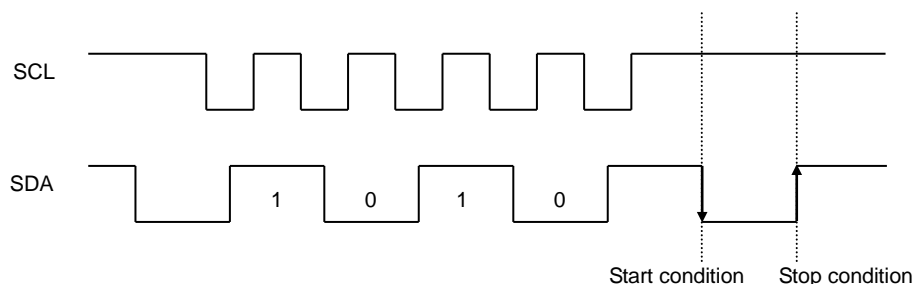


Figure 44. Case of cancel by start, stop condition during slave address input

## •I/O Peripheral Circuit

### ○ Pull up resistance of SDA terminal

SDA is NMOS open drain, so requires pull up resistance. As for this resistance value ( $R_{PU}$ ), select an appropriate value to this resistance value from microcontroller  $V_{IL}$ ,  $I_L$ , and  $V_{OL-IOL}$  characteristics of this IC. If  $R_{PU}$  is large, action frequency is limited. The smaller the  $R_{PU}$ , the larger the supply current.

### ○ Maximum value of $R_{PU}$

The maximum value of  $R_{PU}$  is determined by the following factors.

① SDA rise time to be determined by the capacitance (CBUS) of bus line of  $R_{PU}$  and SDA should be  $t_R$  or below.

And AC timing should be satisfied even when SDA rise time is late.

② The bus electric potential (A) to be determined by input leak total ( $I_L$ ) of device connected to bus at output of 'H' to SDA bus and  $R_{PU}$  should sufficiently secure the input 'H' level ( $V_{IH}$ ) of microcontroller and EEPROM including recommended noise margin 0.2Vcc.

$$V_{CC} - I_L R_{PU} - 0.2 V_{CC} \geq V_{IH}$$

$$\therefore R_{PU} \leq \frac{0.8V_{CC} - V_{IH}}{I_L}$$

Ex.)  $V_{CC} = 3V$   $I_L = 10\mu A$   $V_{IH} = 0.7 V_{CC}$   
from ②

$$R_{PU} \leq \frac{0.8 \times 3 - 0.7 \times 3}{10 \times 10^{-6}}$$

$$\leq 30 \text{ [k}\Omega\text{]}$$

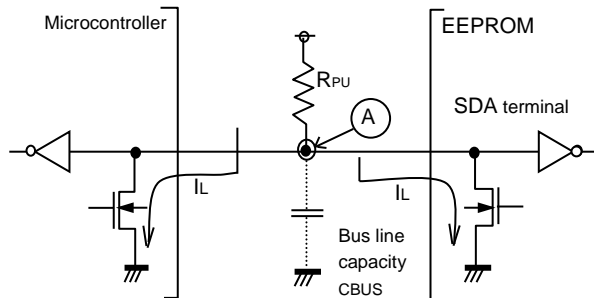


Figure 45. I/O circuit diagram

### ○ Minimum value of $R_{PU}$

The minimum value of  $R_{PU}$  is determined by the following factors.

When IC outputs LOW, it should be satisfied that  $V_{OLMAX} = 0.4V$  and  $I_{OLMAX} = 3mA$ .

$$\frac{V_{CC} - V_{OL}}{R_{PU}} \leq I_{OL}$$

$$\therefore R_{PU} \geq \frac{V_{CC} - V_{OL}}{I_{OL}}$$

②  $V_{OLMAX} = 0.4V$  should secure the input 'L' level ( $V_{IL}$ ) of microcontroller and EEPROM including recommended noise margin 0.1Vcc.

$$V_{OLMAX} \leq V_{IL} - 0.1 V_{CC}$$

Ex.)  $V_{CC} = 3V$ ,  $V_{OL} = 0.4V$ ,  $I_{OL} = 3mA$ , microcontroller, EEPROM  $V_{IL} = 0.3V_{CC}$

$$\text{from ① } R_{PU} \geq \frac{3 - 0.4}{3 \times 10^{-3}}$$

$$\geq 867 \text{ [}\Omega\text{]}$$

$$\text{And } V_{OL} = 0.4 \text{ [V]}$$

$$V_{IL} = 0.3 \times 3$$

$$= 0.9 \text{ [V]}$$

Therefore, the condition ② is satisfied.

### ○ Pull up resistance of SCL terminal

When SCL control is made at CMOS output port, there is no need, but in the case there is timing where SCL becomes 'Hi-Z', add a pull up resistance. As for the pull up resistance, one of several k $\Omega$  to several ten k $\Omega$  is recommended in consideration of drive performance of output port of microcontroller.

•Cautions on Microcontroller Connection

○RS

In I<sup>2</sup>C BUS, it is recommended that SDA port is of open drain input/output. However, when to use CMOS input / output of tri state to SDA port, insert a series resistance R<sub>s</sub> between the pull up resistance R<sub>pu</sub> and the SDA terminal of EEPROM. This controls over current that occurs when PMOS of the microcontroller and NMOS of EEPROM are turned ON simultaneously. R<sub>s</sub> also plays the role of protection of SDA terminal against surge. Therefore, even when SDA port is open drain input/output, R<sub>s</sub> can be used.

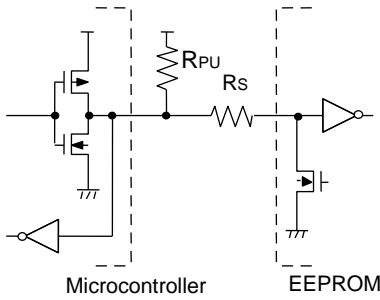


Figure 46. I/O circuit diagram

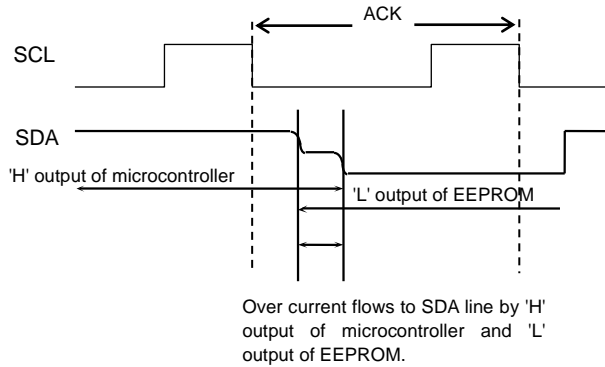


Figure 47. Input / output collision timing

○Maximum value of R<sub>s</sub>

The maximum value of R<sub>s</sub> is determined by the following relations.

- ① SDA rise time to be determined by the capacity (CBUS) of bus line of R<sub>pu</sub> and SDA should be t<sub>R</sub> or below. And AC timing should be satisfied even when SDA rise time is late.
- ② The bus electric potential (A) to be determined by R<sub>pu</sub> and R<sub>s</sub> the moment when EEPROM outputs 'L' to SDA bus sufficiently secure the input 'L' level (V<sub>IL</sub>) of microcontroller including recommended noise margin 0.1V<sub>cc</sub>.

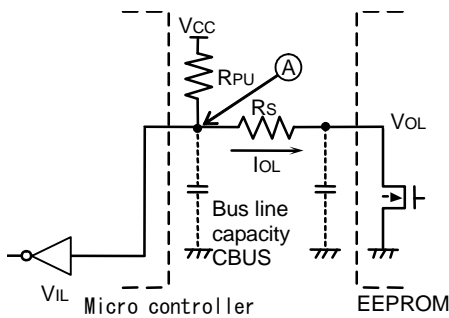


Figure 48. I/O Circuit Diagram

$$\frac{(V_{CC}-V_{OL}) \times R_{PU}}{R_{PU}+R_S} + V_{OL} + 0.1V_{CC} \leq V_{IL}$$

$$\therefore R_S \leq \frac{V_{IL}-V_{OL}-0.1V_{CC}}{1.1V_{CC}-V_{IL}} \times R_{PU}$$

Ex.) V<sub>CC</sub>=3V V<sub>IL</sub>=0.3V<sub>CC</sub> V<sub>OL</sub>=0.4V R<sub>PU</sub>=20kΩ

$$R_S \leq \frac{0.3 \times 3 - 0.4 - 0.1 \times 3}{1.1 \times 3 - 0.3 \times 3} \times 20 \times 10^3$$

$$\leq 1.67 [k\Omega]$$

○Minimum value of R<sub>s</sub>

The minimum value of R<sub>s</sub> is determined by over current at bus collision. When over current flows, noises in power source line, and instantaneous power failure of power source may occur. When allowable over current is defined as I, the following relation must be satisfied. Determine the allowable current in consideration of impedance of power source line in set and so forth. Set the over current to EEPROM 10mA or below.

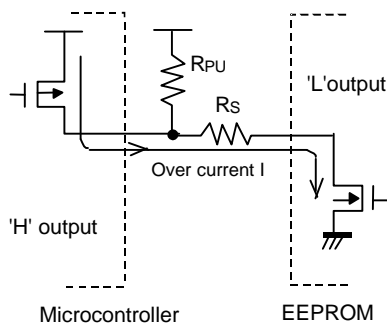


Figure 49. I/O circuit diagram

$$\frac{V_{CC}}{R_S} \leq I$$

$$\therefore R_S \geq \frac{V_{CC}}{I}$$

Ex.) V<sub>CC</sub>=3V, I=10mA

$$R_S \geq \frac{3}{10 \times 10^{-3}}$$

$$\geq 300 [\Omega]$$

### •I/O Equivalence Circuit

○Input (SCL, WP)

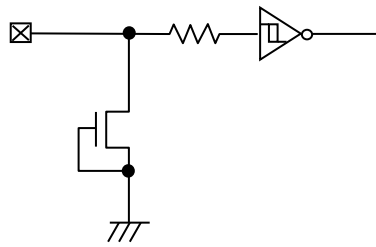


Figure 50. Input pin circuit diagram

○Input / output (SDA)

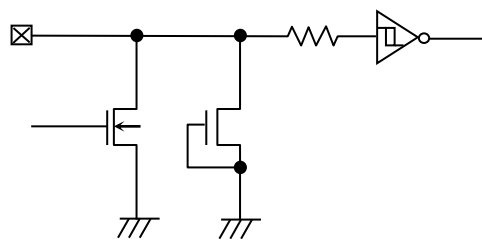


Figure 51. Input / output pin circuit diagram

### •Power-up / Down Conditions

At power on, in IC internal circuit and set, Vcc rises through unstable low voltage area, and IC inside is not completely reset, and malfunction may occur. To prevent this, functions of POR circuit and LVCC circuit are equipped. To assure the action, observe the following conditions at power on.

1. Set SDA = 'H' and SCL = 'L' or 'H'
2. Start power source so as to satisfy the recommended conditions of  $t_R$ ,  $t_{OFF}$ , and  $V_{bot}$  for operating POR circuit.

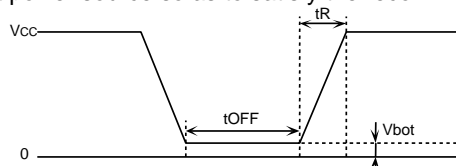


Figure 52. Rise waveform diagram

Recommended conditions of  $t_R$ ,  $t_{OFF}$ ,  $V_{bot}$

| $t_R$          | $t_{OFF}$      | $V_{bot}$     |
|----------------|----------------|---------------|
| 10ms or below  | 10ms or larger | 0.3V or below |
| 100ms or below | 10ms or larger | 0.2V or below |

3. Set SDA and SCL so as not to become 'Hi-Z'.

When the above conditions 1 and 2 cannot be observed, take the following countermeasures.

- a) In the case when the above condition 1 cannot be observed. When SDA becomes 'L' at power on.  
→Control SCL and SDA as shown below, to make SCL and SDA, 'H' and 'H'.

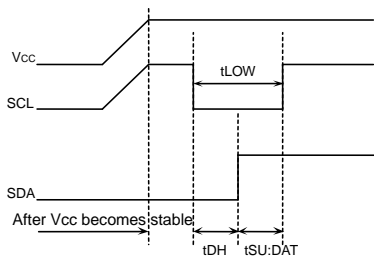


Figure 53. When SCL= 'H' and SDA= 'L'

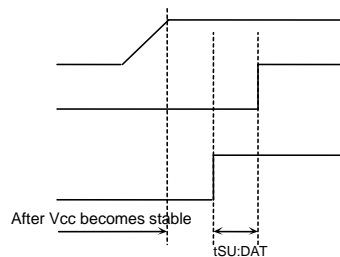


Figure 54. When SCL='L' and SDA='L'

- b) In the case when the above condition 2 cannot be observed.  
→After power source becomes stable, execute software reset(P18).
- c) In the case when the above conditions 1 and 2 cannot be observed.  
→Carry out a), and then carry out b).

### •Low Voltage Malfunction Prevention Function

LVCC circuit prevents data rewrite action at low power, and prevents wrong write. At LVCC voltage (Typ. =1.2V) or below, it prevent data rewrite.

### •Noise Countermeasures

○Bypass capacitor

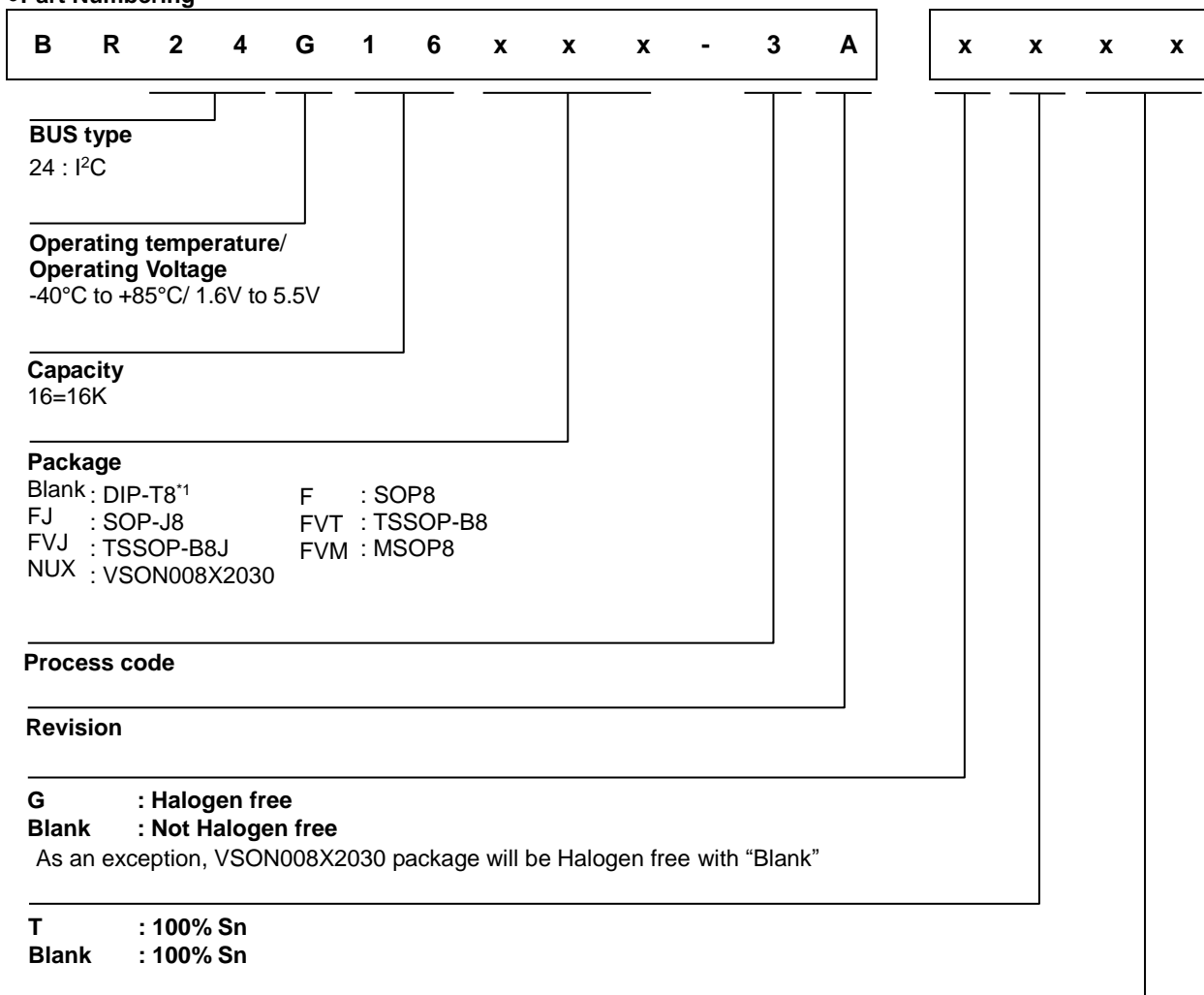
When noise or surge gets in the power source line, malfunction may occur, therefore, for removing these, it is recommended to attach a by pass capacitor (0.1 $\mu$ F) between IC Vcc and GND. At that moment, attach it as close to IC as possible.

And, it is also recommended to attach a bypass capacitor between board Vcc and GND.

**●Operational Notes**

- (1) Described numeric values and data are design representative values, and the values are not guaranteed.
- (2) We believe that application circuit examples are recommendable, however, in actual use, confirm characteristics further sufficiently. In the case of use by changing the fixed number of external parts, make your decision with sufficient margin in consideration of static characteristics and transition characteristics and fluctuations of external parts and our LSI.
- (3) Absolute maximum ratings  
If the absolute maximum ratings such as impressed voltage and action temperature range and so forth are exceeded, LSI may be destructed. Do not impress voltage and temperature exceeding the absolute maximum ratings. In the case of fear exceeding the absolute maximum ratings, take physical safety countermeasures such as fuses, and see to it that conditions exceeding the absolute maximum ratings should not be impressed to LSI.
- (4) GND electric potential  
Set the voltage of GND terminal lowest at any action condition. Make sure that each terminal voltage is lower than that of GND terminal.
- (5) Terminal design  
In consideration of permissible loss in actual use condition, carry out heat design with sufficient margin.
- (6) Terminal to terminal shortcircuit and wrong packaging  
When to package LSI onto a board, pay sufficient attention to LSI direction and displacement. Wrong packaging may destruct LSI. And in the case of shortcircuit between LSI terminals and terminals and power source, terminal and GND owing to foreign matter, LSI may be destructed.
- (7) Use in a strong electromagnetic field may cause malfunction, therefore, evaluate design sufficiently.

●Part Numbering



**Packaging and forming specification**

- E2 : Embossed tape and reel  
(SOP8, SOP-J8, TSSOP-B8, TSSOP-B8J)
- TR : Embossed tape and reel  
(MSOP8, VSON008X2030)
- None : Tube  
(DIP-T8\*1)

\*1 Not Recommended for New Designs.

**Lineup**

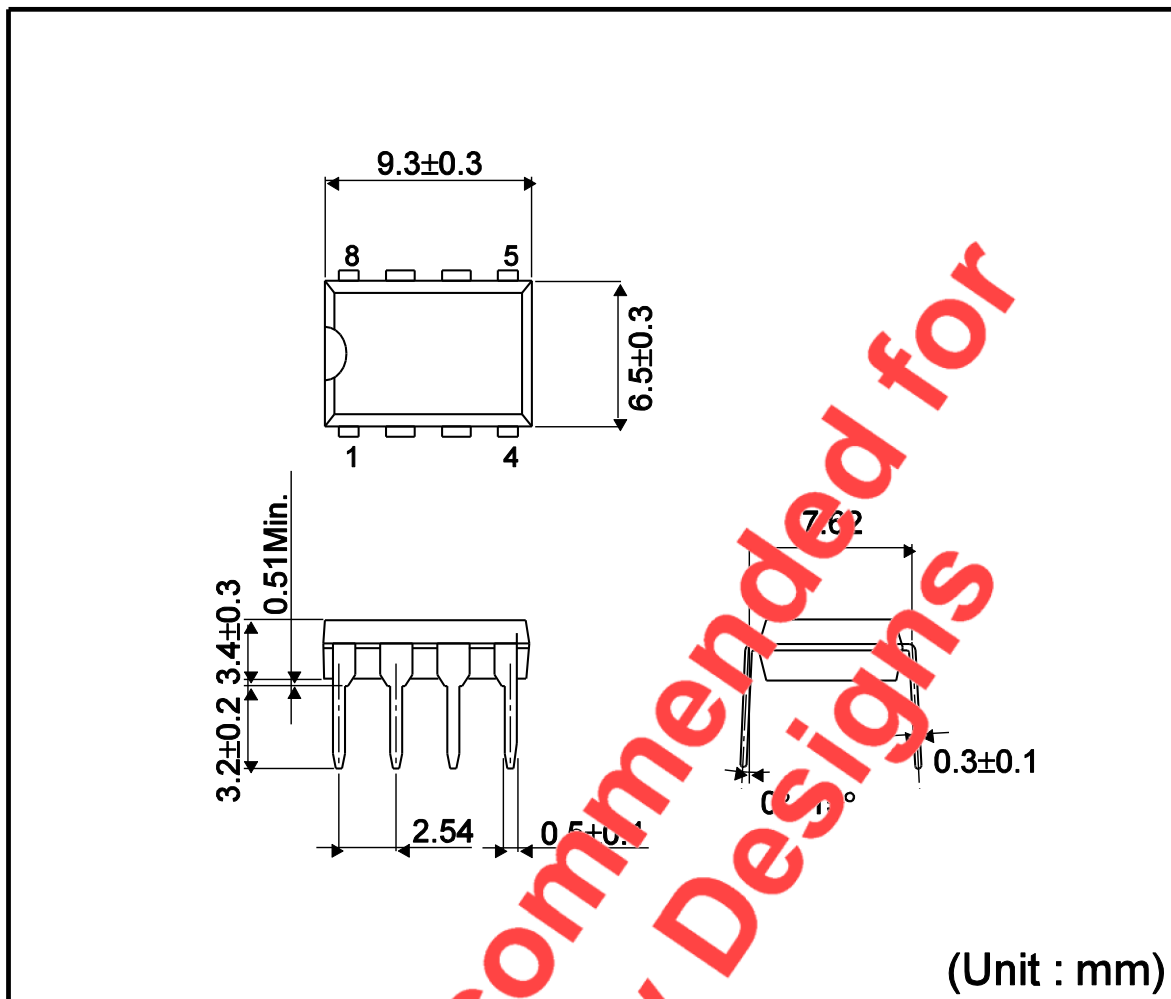
| Capacity | Package      |              | Orderable Part Number | Remark           |         |
|----------|--------------|--------------|-----------------------|------------------|---------|
|          | Type         | Quantity     |                       |                  |         |
| 16K      | DIP-T8*1     | Tube of 2000 | BR24G16 -3A           | Not Halogen free | 100% Sn |
|          | SOP8         | Reel of 2500 | BR24G16F -3AGTE2      | Halogen free     | 100% Sn |
|          | SOP-J8       |              | BR24G16FJ -3AGTE2     | Halogen free     | 100% Sn |
|          | TSSOP-B8     | Reel of 3000 | BR24G16FVT -3AGE2     | Halogen free     | 100% Sn |
|          | TSSOP-B8J    | Reel of 2500 | BR24G16FVJ -3AGTE2    | Halogen free     | 100% Sn |
|          | MSOP8        | Reel of 3000 | BR24G16FVM -3AGTTR    | Halogen free     | 100% Sn |
|          | VSON008X2030 | Reel of 4000 | BR24G16NUX -3ATTR     | Halogen free     | 100% Sn |

\*1 Not Recommended for New Designs.



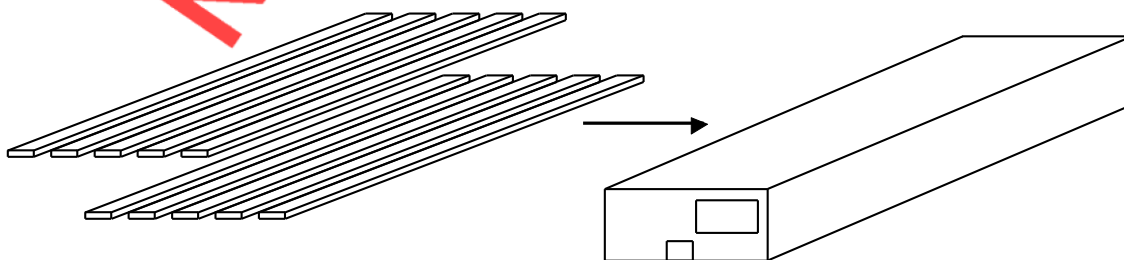
•Physical Dimensions Tape and Reel Information

# DIP-T8



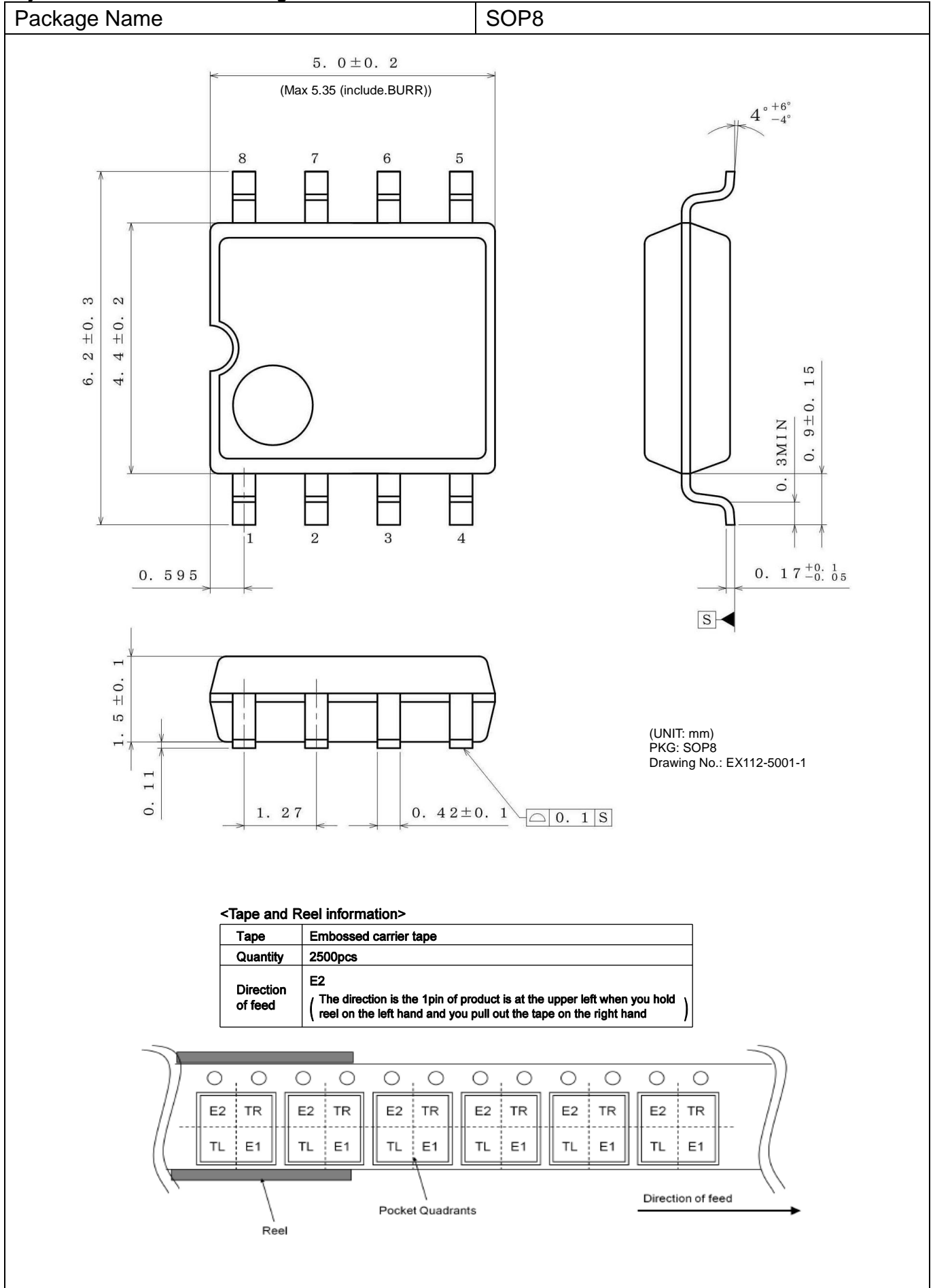
<Tape and Reel information>

|                   |  |
|-------------------|--|
| Container         | Tube   |
| Quantity          | 2000pcs  |
| Direction of feed | Direction of products is fixed in a container tube |

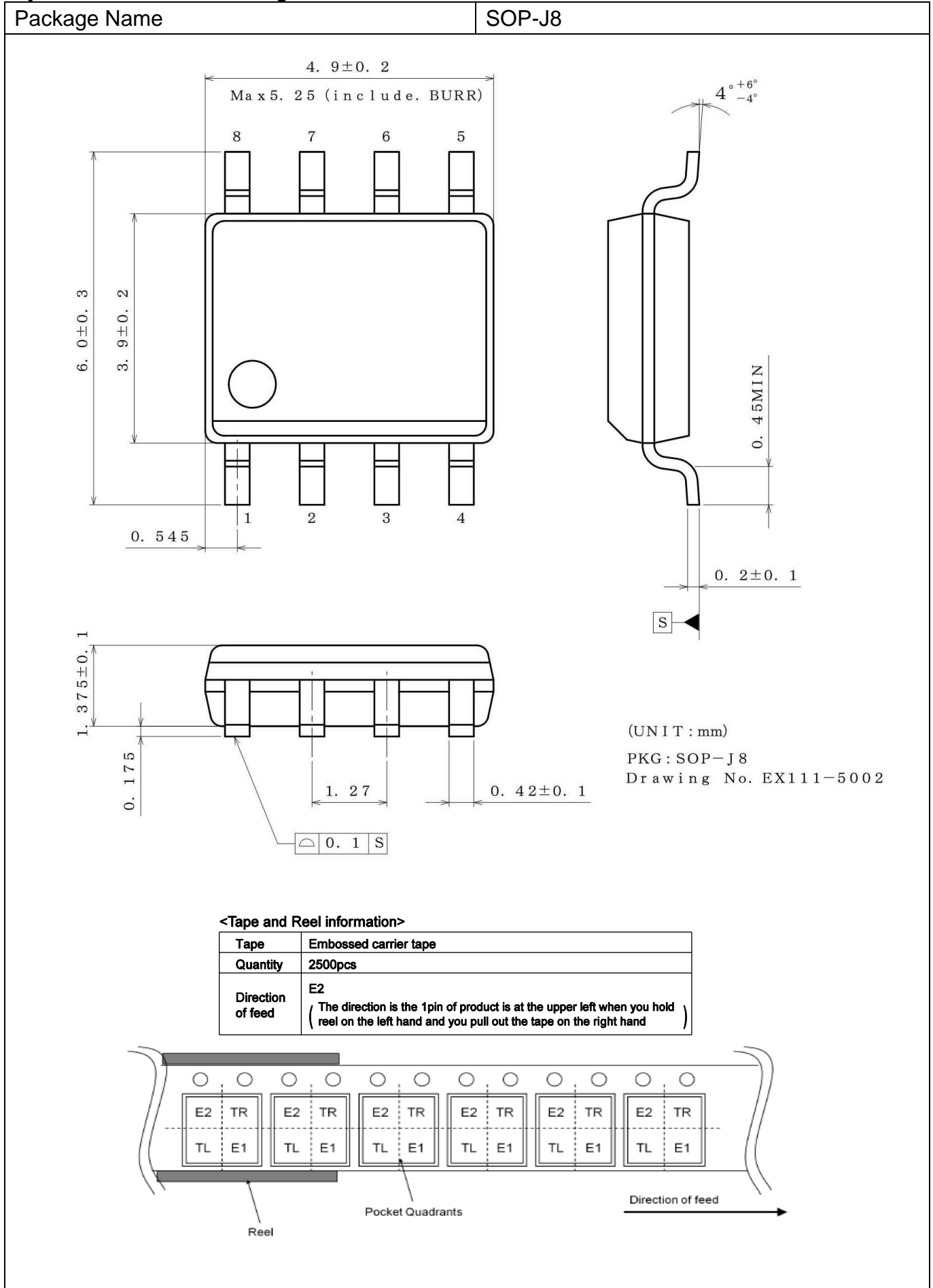


\*Order quantity needs to be multiple of the minimum quantity.

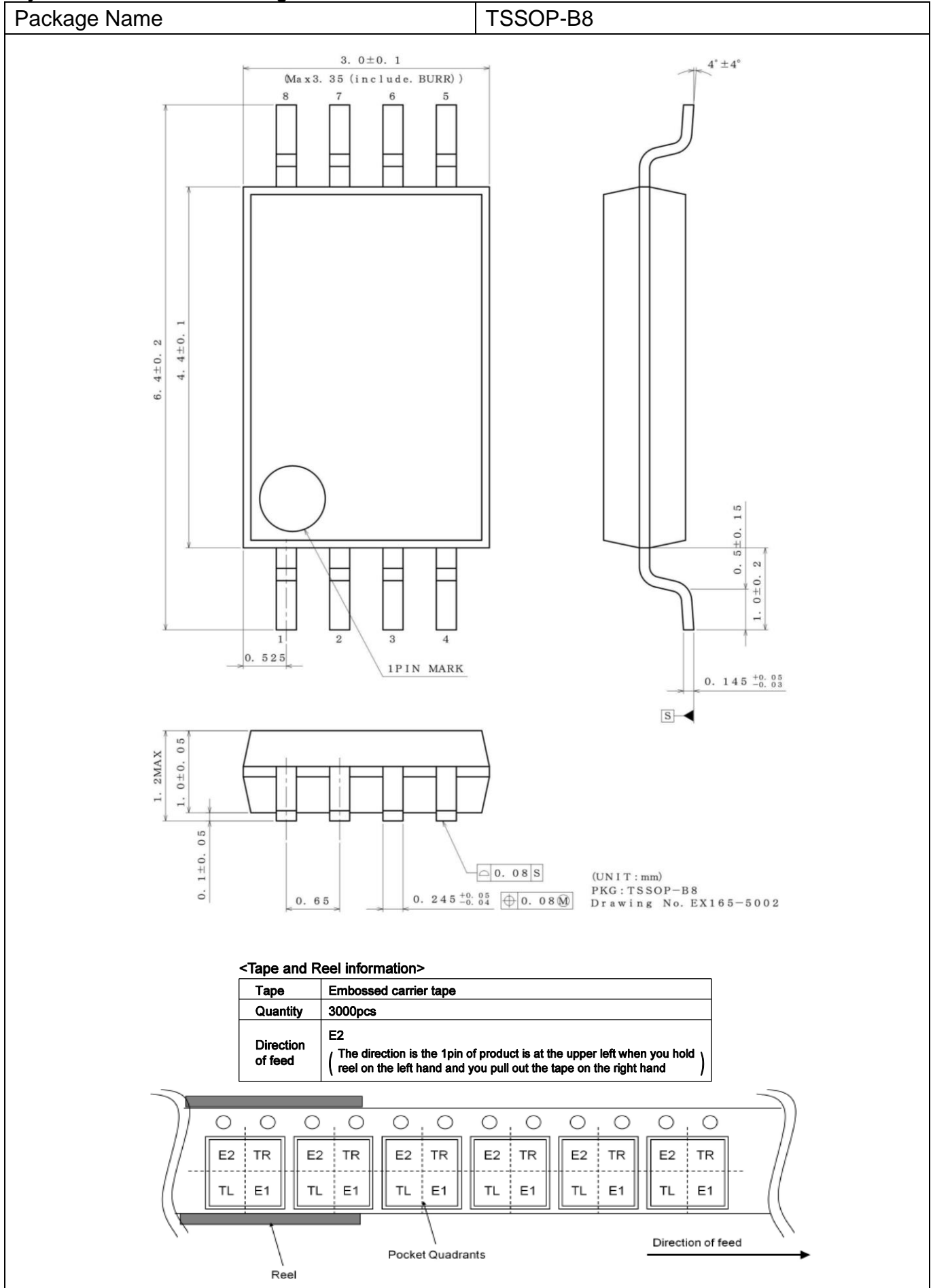
Physical Dimension and Packing Information



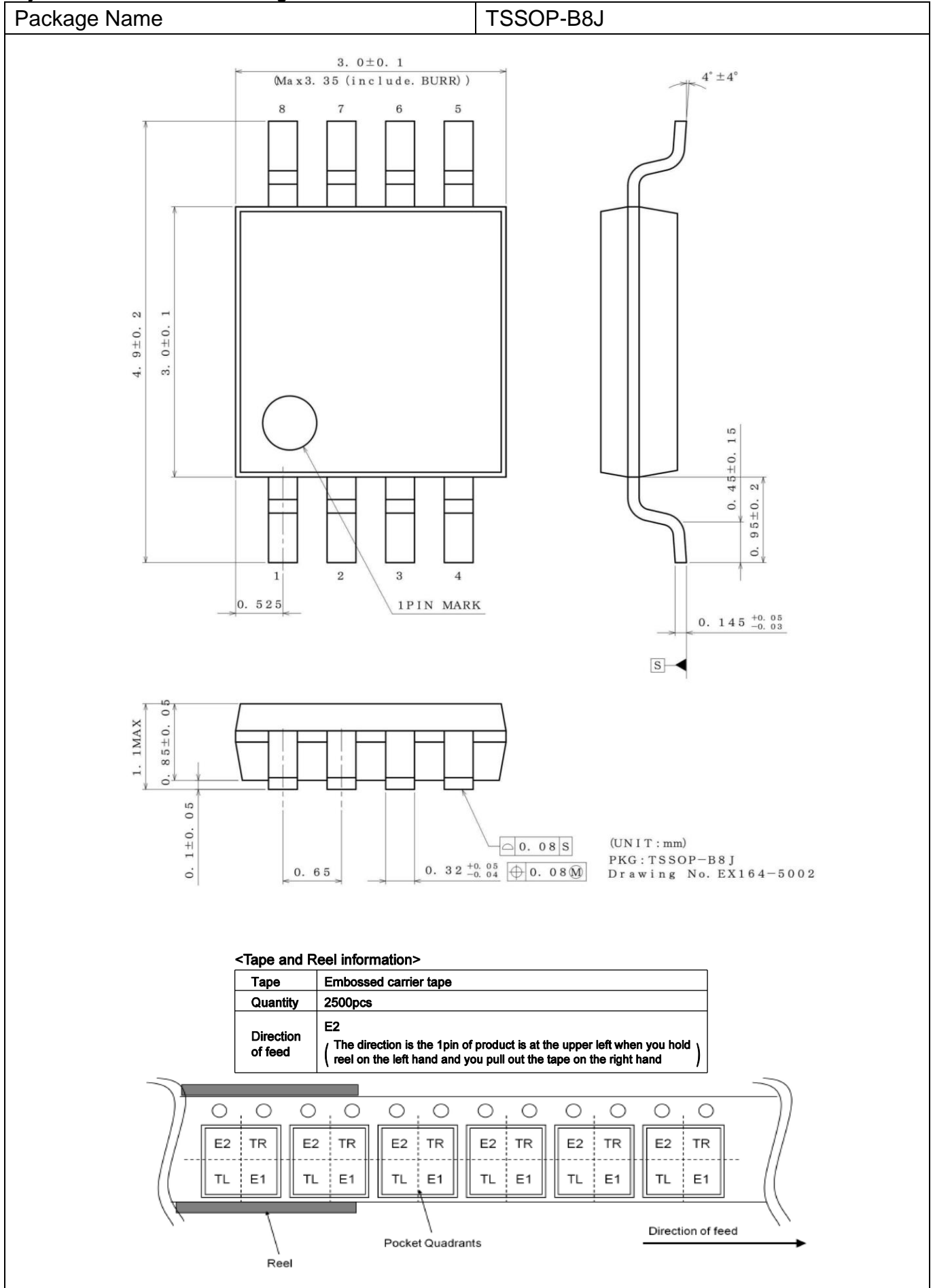
Physical Dimension and Packing Information



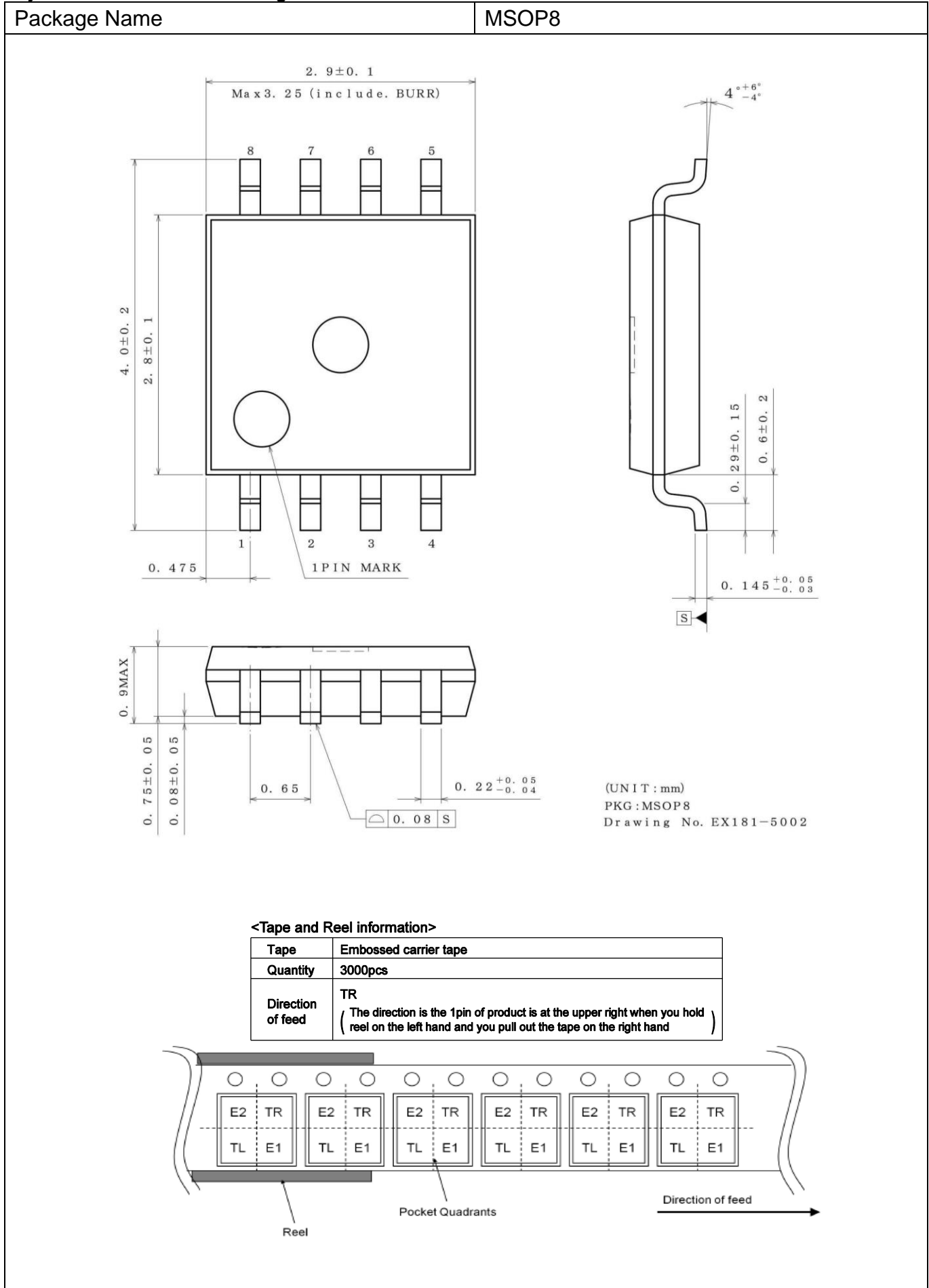
Physical Dimension and Packing Information



Physical Dimension and Packing Information

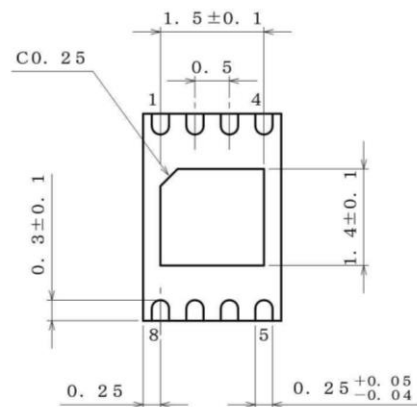
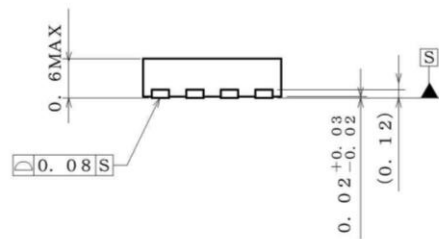
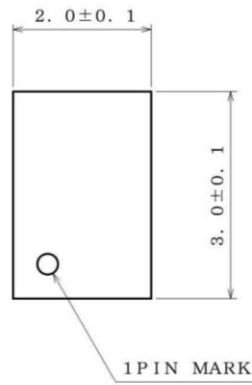


Physical Dimension and Packing Information



Physical Dimension and Packing Information

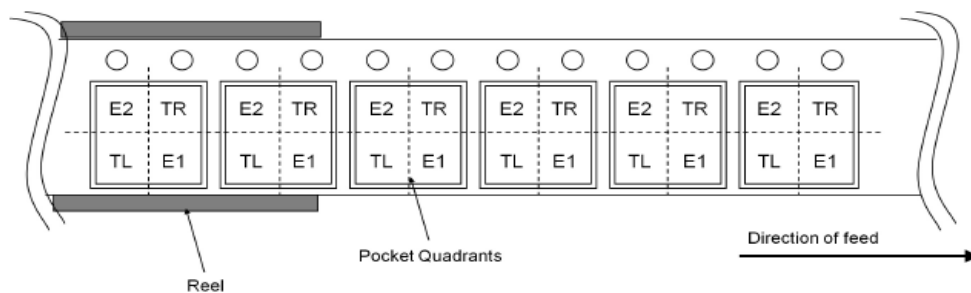
|              |              |
|--------------|--------------|
| Package Name | VSON008X2030 |
|--------------|--------------|



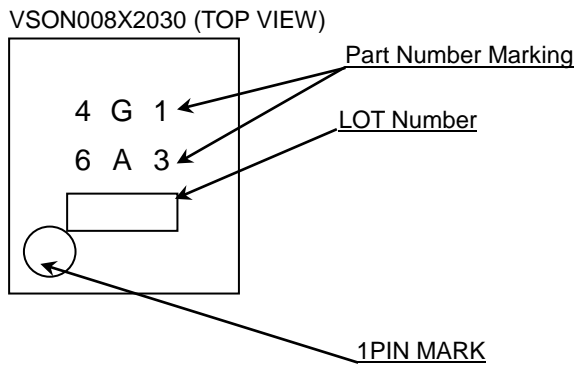
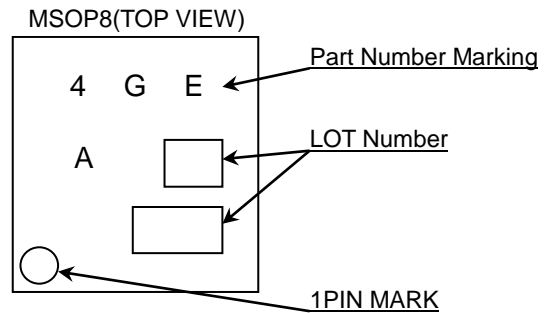
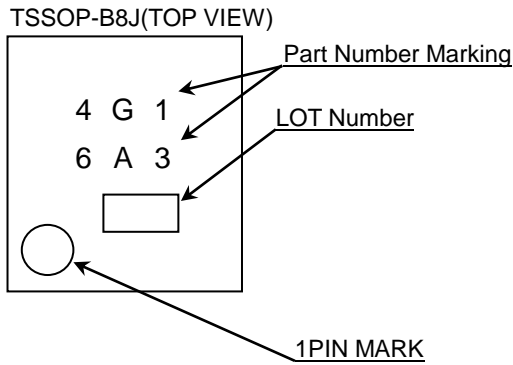
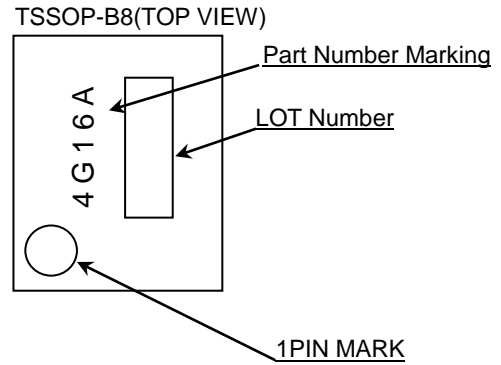
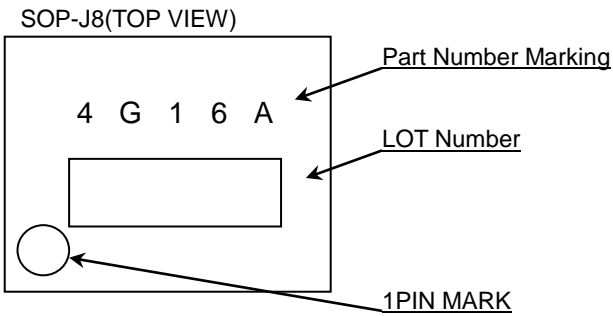
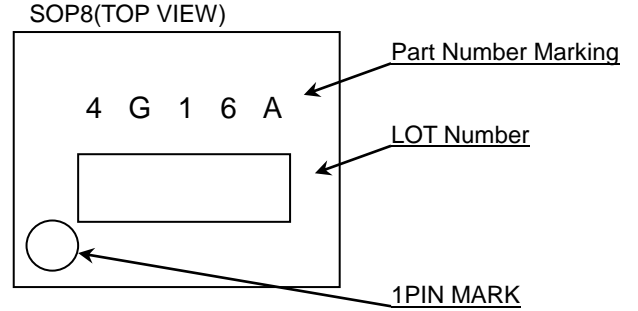
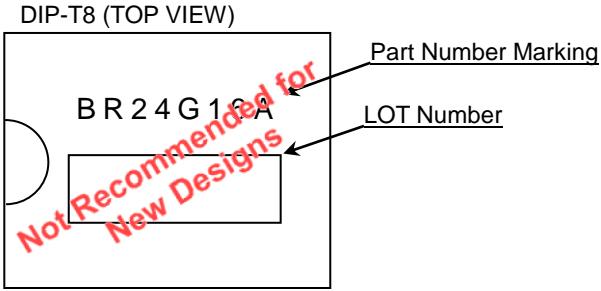
(UNIT : mm)  
 PKG : VSON008X2030  
 Drawing No. EX187-5001

<Tape and Reel information>

|                   |  |
|-------------------|--|
| Tape              | Embossed carrier tape  |
| Quantity          | 4000pcs  |
| Direction of feed | TR<br>( The direction is the 1pin of product is at the upper right when you hold reel on the left hand and you pull out the tape on the right hand ) |



●Marking Diagrams (TOP VIEW)





## ●Revision History

| Date        | Revision | Changes   |
|-------------|----------|---|
| 26.Dec.2012 | 001      | New Release   |
| 31.May.2013 | 002      | P1 Change format of package line-up table and change title.<br>P.2 Add VESD in Absolute Maximum Ratings   |
| 27.Aug.2014 | 003      | P.3 Modified tSU:STA (0.25->0.20)<br>P.24 Update Part Numbering. Add Lineup Table   |
| 11.Jun.2019 | 004      | Added watermarks and words for Not Recommended New Designs category product.<br>Changed a format of "Physical Dimension and Packing Information". |

# Notice

## Precaution on using ROHM Products

- Our Products are designed and manufactured for application in ordinary electronic equipment (such as AV equipment, OA equipment, telecommunication equipment, home electronic appliances, amusement equipment, etc.). If you intend to use our Products in devices requiring extremely high reliability (such as medical equipment <sup>(Note 1)</sup>, transport equipment, traffic equipment, aircraft/spacecraft, nuclear power controllers, fuel controllers, car equipment including car accessories, safety devices, etc.) and whose malfunction or failure may cause loss of human life, bodily injury or serious damage to property ("Specific Applications"), please consult with the ROHM sales representative in advance. Unless otherwise agreed in writing by ROHM in advance, ROHM shall not be in any way responsible or liable for any damages, expenses or losses incurred by you or third parties arising from the use of any ROHM's Products for Specific Applications.

(Note1) Medical Equipment Classification of the Specific Applications

| JAPAN     | USA       | EU         | CHINA     |
|-----------|-----------|------------|-----------|
| CLASS III | CLASS III | CLASS II b | CLASS III |
| CLASS IV  |           | CLASS III  |           |

- ROHM designs and manufactures its Products subject to strict quality control system. However, semiconductor products can fail or malfunction at a certain rate. Please be sure to implement, at your own responsibilities, adequate safety measures including but not limited to fail-safe design against the physical injury, damage to any property, which a failure or malfunction of our Products may cause. The following are examples of safety measures:
  - Installation of protection circuits or other protective devices to improve system safety
  - Installation of redundant circuits to reduce the impact of single or multiple circuit failure
- Our Products are designed and manufactured for use under standard conditions and not under any special or extraordinary environments or conditions, as exemplified below. Accordingly, ROHM shall not be in any way responsible or liable for any damages, expenses or losses arising from the use of any ROHM's Products under any special or extraordinary environments or conditions. If you intend to use our Products under any special or extraordinary environments or conditions (as exemplified below), your independent verification and confirmation of product performance, reliability, etc. prior to use, must be necessary:
  - Use of our Products in any types of liquid, including water, oils, chemicals, and organic solvents
  - Use of our Products outdoors or in places where the Products are exposed to direct sunlight or dust
  - Use of our Products in places where the Products are exposed to sea wind or corrosive gases, including Cl<sub>2</sub>, H<sub>2</sub>S, NH<sub>3</sub>, SO<sub>2</sub>, and NO<sub>2</sub>
  - Use of our Products in places where the Products are exposed to static electricity or electromagnetic waves
  - Use of our Products in proximity to heat-producing components, plastic cords, or other flammable items
  - Sealing or coating our Products with resin or other coating materials
  - Use of our Products without cleaning residue of flux (Exclude cases where no-clean type fluxes is used. However, recommend sufficiently about the residue.) ; or Washing our Products by using water or water-soluble cleaning agents for cleaning residue after soldering
  - Use of the Products in places subject to dew condensation
- The Products are not subject to radiation-proof design.
- Please verify and confirm characteristics of the final or mounted products in using the Products.
- In particular, if a transient load (a large amount of load applied in a short period of time, such as pulse, is applied, confirmation of performance characteristics after on-board mounting is strongly recommended. Avoid applying power exceeding normal rated power; exceeding the power rating under steady-state loading condition may negatively affect product performance and reliability.
- De-rate Power Dissipation depending on ambient temperature. When used in sealed area, confirm that it is the use in the range that does not exceed the maximum junction temperature.
- Confirm that operation temperature is within the specified range described in the product specification.
- ROHM shall not be in any way responsible or liable for failure induced under deviant condition from what is defined in this document.

## Precaution for Mounting / Circuit board design

- When a highly active halogenous (chlorine, bromine, etc.) flux is used, the residue of flux may negatively affect product performance and reliability.
- In principle, the reflow soldering method must be used on a surface-mount products, the flow soldering method must be used on a through hole mount products. If the flow soldering method is preferred on a surface-mount products, please consult with the ROHM representative in advance.

For details, please refer to ROHM Mounting specification

### Precautions Regarding Application Examples and External Circuits

1. If change is made to the constant of an external circuit, please allow a sufficient margin considering variations of the characteristics of the Products and external components, including transient characteristics, as well as static characteristics.
2. You agree that application notes, reference designs, and associated data and information contained in this document are presented only as guidance for Products use. Therefore, in case you use such information, you are solely responsible for it and you must exercise your own independent verification and judgment in the use of such information contained in this document. ROHM shall not be in any way responsible or liable for any damages, expenses or losses incurred by you or third parties arising from the use of such information.

### Precaution for Electrostatic

This Product is electrostatic sensitive product, which may be damaged due to electrostatic discharge. Please take proper caution in your manufacturing process and storage so that voltage exceeding the Products maximum rating will not be applied to Products. Please take special care under dry condition (e.g. Grounding of human body / equipment / solder iron, isolation from charged objects, setting of Ionizer, friction prevention and temperature / humidity control).

### Precaution for Storage / Transportation

1. Product performance and soldered connections may deteriorate if the Products are stored in the places where:
  - [a] the Products are exposed to sea winds or corrosive gases, including Cl<sub>2</sub>, H<sub>2</sub>S, NH<sub>3</sub>, SO<sub>2</sub>, and NO<sub>2</sub>
  - [b] the temperature or humidity exceeds those recommended by ROHM
  - [c] the Products are exposed to direct sunshine or condensation
  - [d] the Products are exposed to high Electrostatic
2. Even under ROHM recommended storage condition, solderability of products out of recommended storage time period may be degraded. It is strongly recommended to confirm solderability before using Products of which storage time is exceeding the recommended storage time period.
3. Store / transport cartons in the correct direction, which is indicated on a carton with a symbol. Otherwise bent leads may occur due to excessive stress applied when dropping of a carton.
4. Use Products within the specified time after opening a humidity barrier bag. Baking is required before using Products of which storage time is exceeding the recommended storage time period.

### Precaution for Product Label

A two-dimensional barcode printed on ROHM Products label is for ROHM's internal use only.

### Precaution for Disposition

When disposing Products please dispose them properly using an authorized industry waste company.

### Precaution for Foreign Exchange and Foreign Trade act

Since concerned goods might be fallen under listed items of export control prescribed by Foreign exchange and Foreign trade act, please consult with ROHM in case of export.

### Precaution Regarding Intellectual Property Rights

1. All information and data including but not limited to application example contained in this document is for reference only. ROHM does not warrant that foregoing information or data will not infringe any intellectual property rights or any other rights of any third party regarding such information or data.
2. ROHM shall not have any obligations where the claims, actions or demands arising from the combination of the Products with other articles such as components, circuits, systems or external equipment (including software).
3. No license, expressly or implied, is granted hereby under any intellectual property rights or other rights of ROHM or any third parties with respect to the Products or the information contained in this document. Provided, however, that ROHM will not assert its intellectual property rights or other rights against you or your customers to the extent necessary to manufacture or sell products containing the Products, subject to the terms and conditions herein.

### Other Precaution

1. This document may not be reprinted or reproduced, in whole or in part, without prior written consent of ROHM.
2. The Products may not be disassembled, converted, modified, reproduced or otherwise changed without prior written consent of ROHM.
3. In no event shall you use in any way whatsoever the Products and the related technical information contained in the Products or this document for any military purposes, including but not limited to, the development of mass-destruction weapons.
4. The proper names of companies or products described in this document are trademarks or registered trademarks of ROHM, its affiliated companies or third parties.

**General Precaution**

1. Before you use our Products, you are requested to carefully read this document and fully understand its contents. ROHM shall not be in any way responsible or liable for failure, malfunction or accident arising from the use of any ROHM's Products against warning, caution or note contained in this document.
2. All information contained in this document is current as of the issuing date and subject to change without any prior notice. Before purchasing or using ROHM's Products, please confirm the latest information with a ROHM sales representative.
3. The information contained in this document is provided on an "as is" basis and ROHM does not warrant that all information contained in this document is accurate and/or error-free. ROHM shall not be in any way responsible or liable for any damages, expenses or losses incurred by you or third parties resulting from inaccuracy or errors of or concerning such information.

# Mouser Electronics

Authorized Distributor

Click to View Pricing, Inventory, Delivery & Lifecycle Information:

[ROHM Semiconductor:](#)

[BR24G16F-3AGTE2](#) [BR24G16FVJ-3AGTE2](#) [BR24G16FVM-3AGTTR](#) [BR24G16FVT-3AGE2](#) [BR24G16NUX-3ATTR](#)  
[BR24G16FJ-3AGTE2](#)