

TNC SWITCH EDGE CARD SMT RIGHT TYPE

R143.422.957

PACKAGING IN REEL 110

Series : TNC

PACKAGING

SPECIFICATION

Standard	Unit	Other
110	'W' option	Contact us

1301-RNT 408 4010 UEN rev C

ELECTRICAL CHARACTERISTICS

ENVIRONMENTAL

Impedance	50	Ω
Frequency	DC-3	GHz
VSWR	1.1 + 0,1000	x F(GHz) Maxi
Isolation at DC to 1 Ghz	-47	DB Typical
Isolation at 1 to 2 Ghz	-43	DB Typical
Isolation at 2 to 3 Ghz	-40	DB Typical
Insertion loss DC to 1 Ghz	0.1	\sqrt{F} (GHz) dB Maxi
Insertion loss 1 to 2 Ghz	0.15	dB Maxi
Insertion loss 2 to 3 Ghz	0.2	dB Maxi
RF leakage	NA	- F(GHz)) dB Maxi
Voltage rating	300	Veff Maxi
Dielectric withstanding voltage	500	Veff mini
Insulation resistance	5000	M Ω mini
Power withstanding	80	W at 0.9 Ghz
	50	W at 1.9 Ghz

Operating temperature	-40/+85	$^{\circ}$ C
Hermetic seal	NA	Atm.cm3/s
Panel leakage	NA	

OTHERS CHARACTERISTICS

Assembly instruction

Others :
Action Mating force :
20 N MAX
15 N min

(1) Do not apply force on the center contac before
Mounting the switch on PCB

MECHANICAL CHARACTERISTICS

Center contact retention		
Axial force – Mating end	NA	N mini
Axial force – Opposite end	NA	N mini
Torque	NA	N.cm mini
Axial force side pin	(1)	
Recommended torque		
Mating	22	N.cm
Panel nut	NA	N.cm
Mating life	100	Cycles mini
Weight	20,9800	g

Issue : 0823 D

In the effort to improve our products, we reserve the right to make changes judged to be necessary.



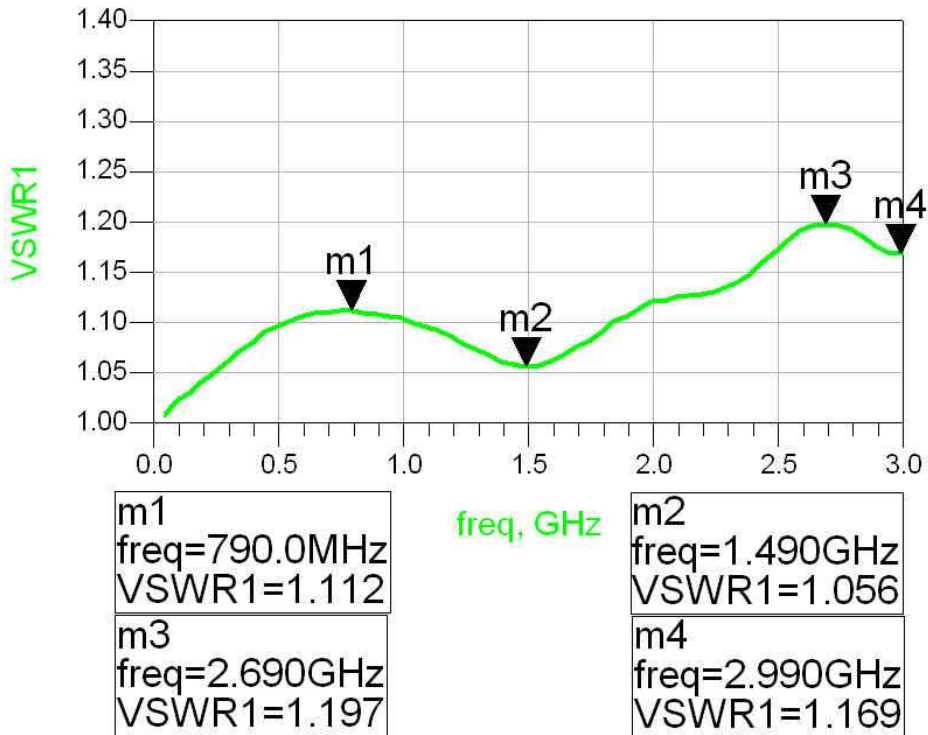
TNC SWITCH EDGE CARD SMT RIGHT TYPE

R143.422.957

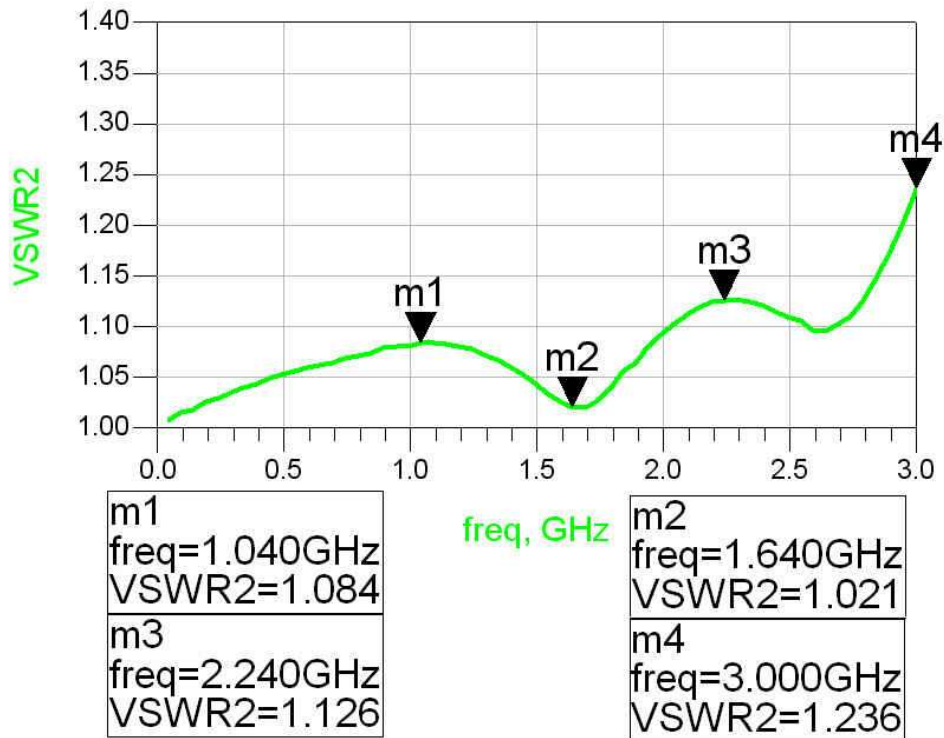
PACKAGING IN REEL 110

Series : TNC

VSWR direct line



VSWR switched line



Issue : 0823 D

In the effort to improve our products, we reserve the right to make changes judged to be necessary.



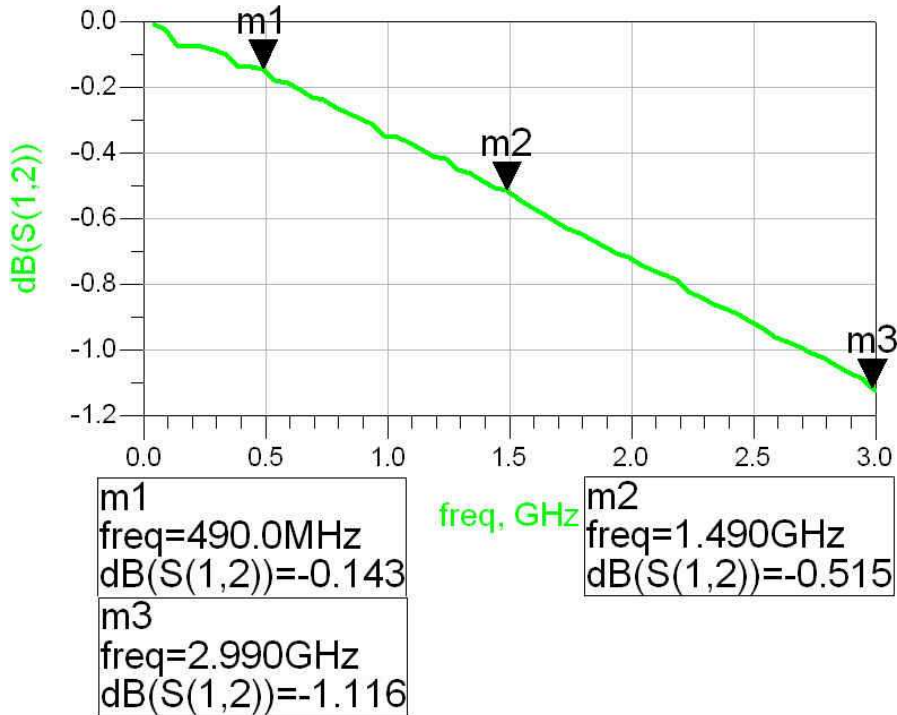
TNC SWITCH EDGE CARD SMT RIGHT TYPE

R143.422.957

PACKAGING IN REEL 110

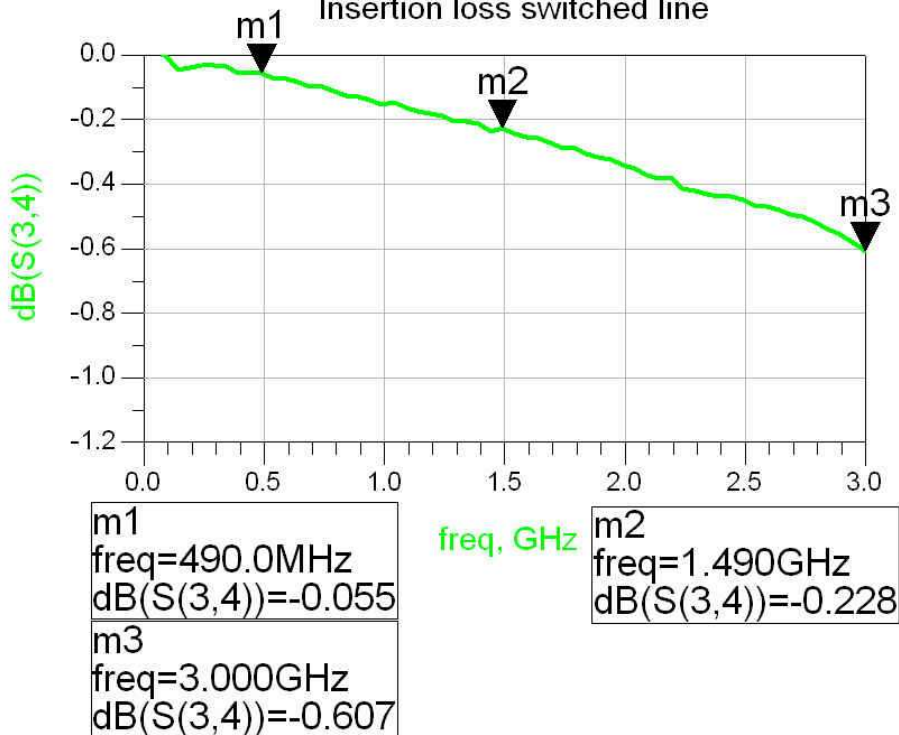
Series : TNC

Insertion loss direct line



the measurement includes the insertion loss due to the test board and connectors

Insertion loss switched line



the measurement includes the insertion loss due to the test board and connectors

Issue : 0823 D

In the effort to improve our products, we reserve the right to make changes judged to be necessary.



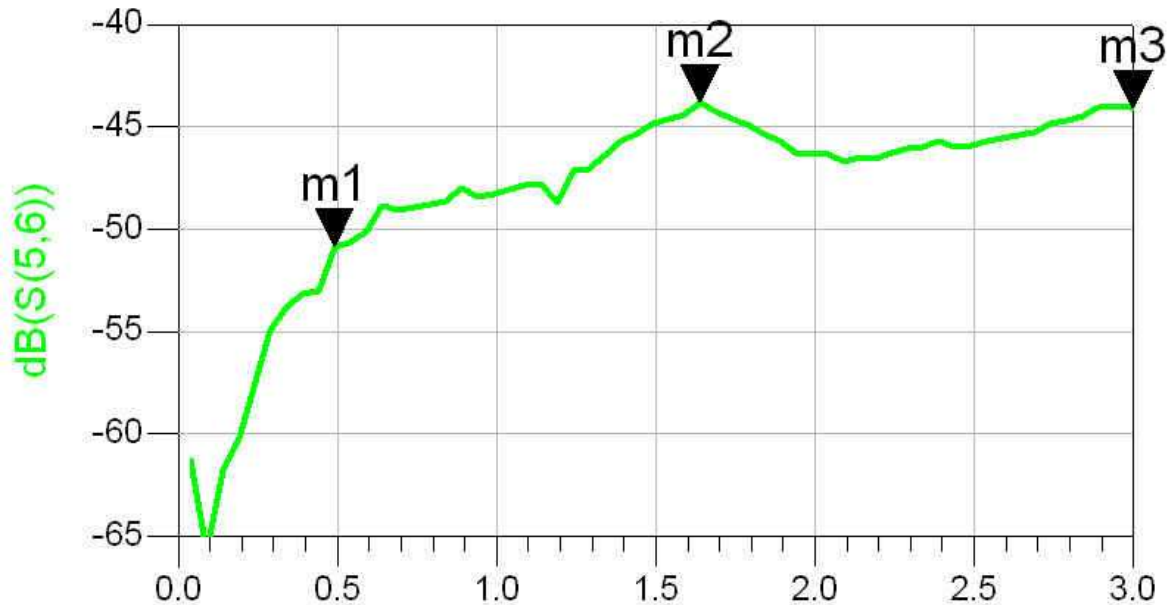
TNC SWITCH EDGE CARD SMT RIGHT TYPE

R143.422.957

PACKAGING IN REEL 110

Series : TNC

Isolation switched line



m1 freq=490.0MHz dB(S(5,6))=-50.856
m3 freq=3.000GHz dB(S(5,6))=-44.091

m2 freq=1.640GHz dB(S(5,6))=-43.790

Issue : 0823 D

In the effort to improve our products, we reserve the right to make changes judged to be necessary.



TNC SWITCH EDGE CARD SMT RIGHT TYPE

R143.422.957

PACKAGING IN REEL 110

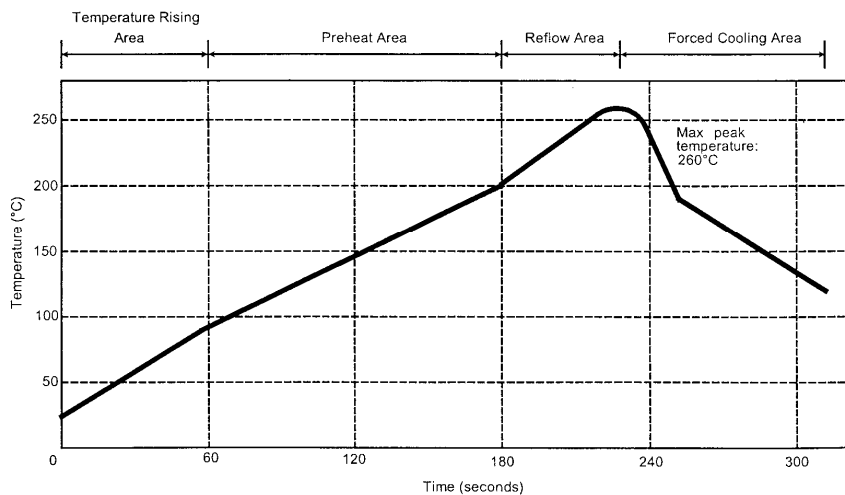
Series : TNC

SOLDER PROCEDURE

1. Deposit solder paste ‘Sn Ag4 Cu0.5’ on mounting zone by screen printing application. We recommend a low residue flux.
We advise a thickness of 150 microm (5.850 microinch). Verify that the edges of the zone are clean.
2. Placement of the receptacle on the mounting zone with an automatic machine of ‘pick and place’ type. A video camera is recommended for positioning of the component . Adhesive agents must not be used on the receptacle.
3. This process of soldering has been tested with convection oven .Below please find ,the typical profile to use.
4. The cleaning of printed circuit boards is not obliged .
5. Verification of solder joints and position of the component by visual inspection.

NOTE : The receptacle and the plug must not be mated before completion of this procedure

TEMPERATURE PROFILE



Parameter	Value	Unit
Temperature rising Area	1 - 4	°C/sec
Max Peak Temperature	260	°C
Max dwell time @260°C	10	sec
Min dwell time @235°C	20	sec
Max dwell time @235°C	60	sec
Temperature drop in cooling Area	-1 to - 4	°C/sec
Max dwell time above 100°C	420	sec

Issue : 0823 D

In the effort to improve our products, we reserve the right to make changes judged to be necessary.



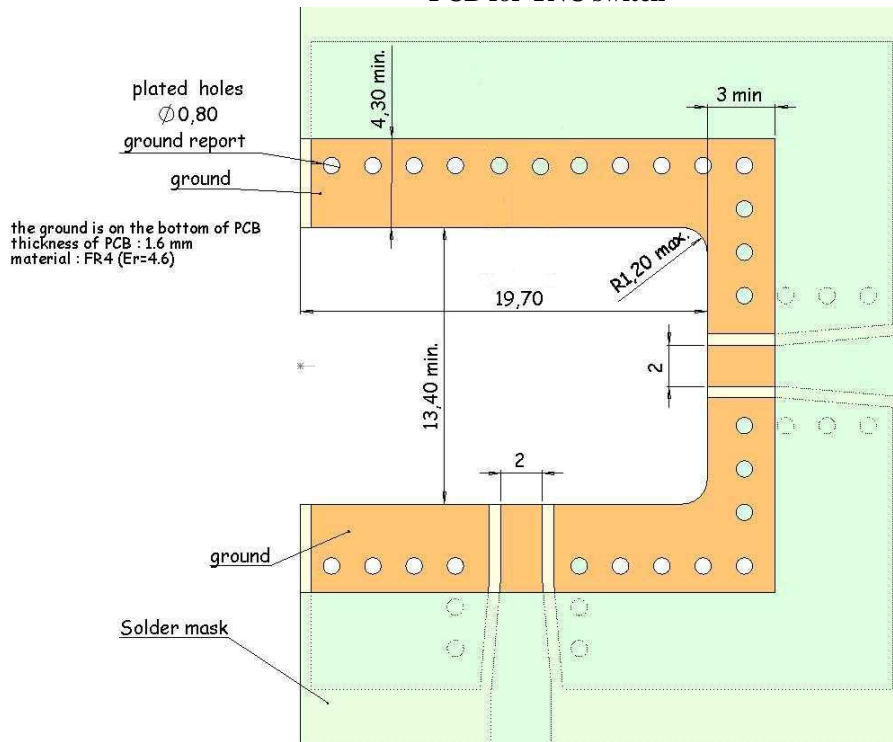
TNC SWITCH EDGE CARD SMT RIGHT TYPE

R143.422.957

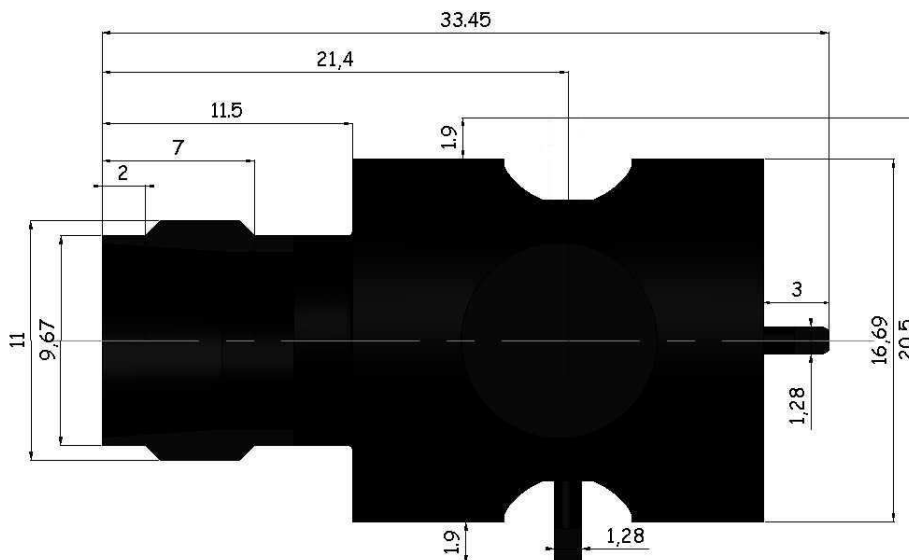
PACKAGING IN REEL 110

Series : TNC

PCB for TNC switch



Shadow of TNC switch for video camera



Issue : 0823 D

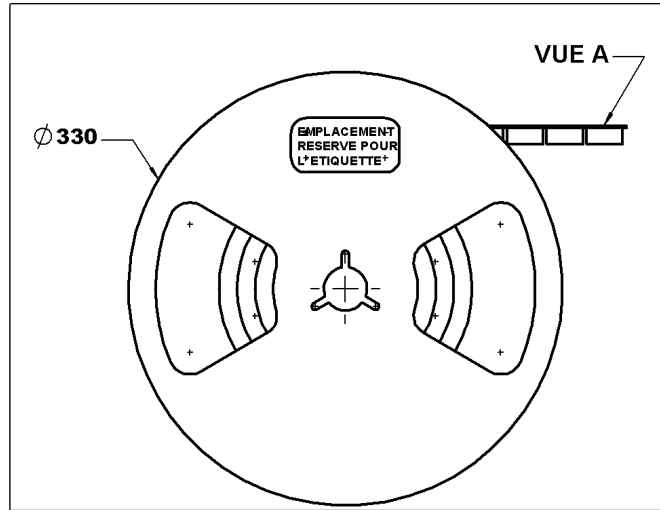
In the effort to improve our products, we reserve the right to make changes judged to be necessary.



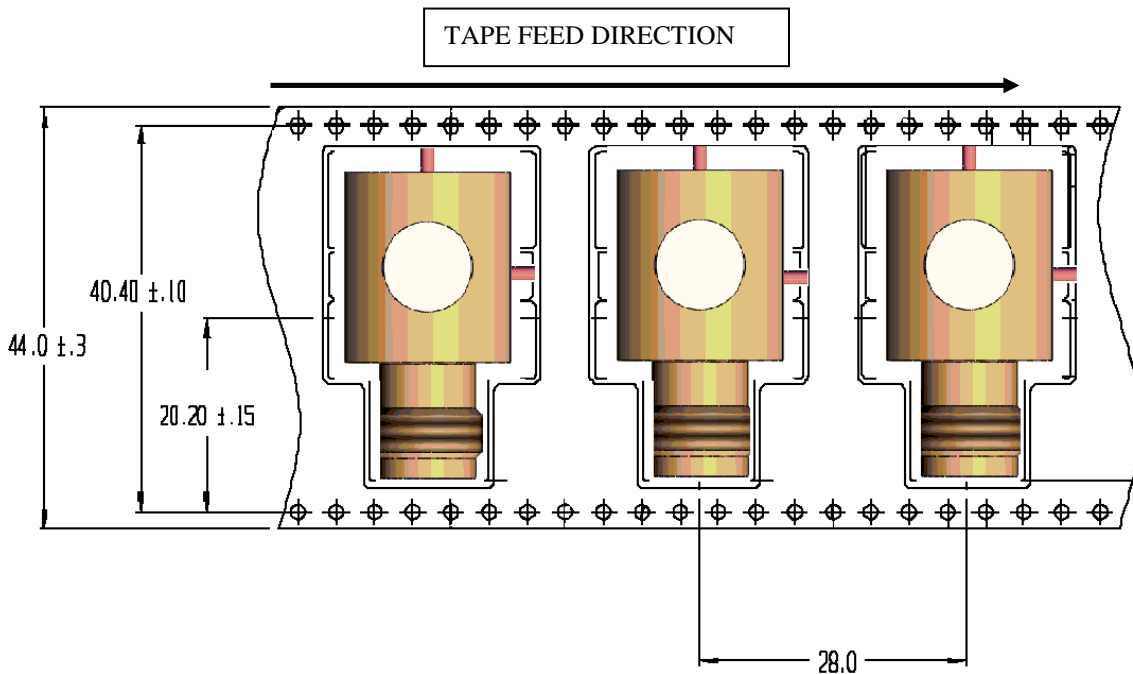
TNC SWITCH EDGE CARD SMT RIGHT TYPE
PACKAGING IN REEL 110

R143.422.957

Series : TNC



bobine Ech :0.7



Issue : 0823 D

In the effort to improve our products, we reserve the right to make changes judged to be necessary.



Mouser Electronics

Authorized Distributor

Click to View Pricing, Inventory, Delivery & Lifecycle Information:

Radial:

[R143422957W](#)