

## MICRO SWITCH Key Actuated Safety Switches

GKM Series

004750

Issue 5

**Datasheet**



### DESCRIPTION

When the application requires a miniature key-operated safety interlocking limit switch for machine guarding, Honeywell provides the GKM Series. The compact housing size of 34 mm L x 16 mm W x 70 mm H is optimal where there is limited space available on machinery. The double-insulated plastic housing and rugged stainless steel actuator key are better suited for demanding environments. The unique design of the switch allows the actuator key to be inserted from the top or the side. The switch can be mounted from the front or back as required. As with the Honeywell safety limit switches, all normally closed contacts are positive opening (→). Direct mechanical linkage within the switch force the normally closed contacts open when the actuator key is removed from the switch, opening the circuit. The switches are available with either a cable connection or an integral four-pin M12 connector.

### FEATURES

- Red switch body for easy safety recognition
- Common 22 mm mounting centers which accept M4 or #8 mounting hardware
- Prewired cable or M12 connector for electrical termination
- Positive opening action of normally closed contacts (→) to EN/IEC 60947-5-1-3 specification
- Switch chamber IP67 environmentally sealed for indoor or outdoor applications
- CE and UL certifications
- Designed and agency evaluated for safety functions up to and including a SIL3 level

### POTENTIAL APPLICATIONS

- Safety interlock for small doors and apertures on machinery
- Safety interlock for multiple doors on machinery with daisy chain option (twin connectors)

### DIFFERENTIATION

- Miniature package size of 34 mm L x 16 mm W x 70 mm H
- Switch design with dual entry (side or top) for actuator key
- Daisy-chain capability for monitoring multiple gates on machinery
- Rigid or flexible stainless steel actuator keys

### PORTFOLIO

In addition to the GKM Series safety interlocking limit switches, Honeywell offers other safety interlocking limit switches. These include the EN50047 plastic body GKE Series, plastic body GKN Series, EN50041 metal body GKB Series, and metal body solenoid (trapped key) GKL/R Series. Non-interlocking safety limit switches include the GSS Series, FF Series non-contact switches, and the 1CPS Series and 2CPS Series cable/rope pull safety limit switches.

# Key-Actuated Safety Switches, GKM Series

**Table 1. Performance Specifications**

Characteristic	Parameter
<b>Description</b>	Dual entry key-operated safety interlock switch
<b>Agency certifications</b>	CE, DOC 141 (EN60947-1 and EN 60947-5-1) cULus, UL508 (File E37138) SIRA, Functional Safety Certificate (IEC 61508-2:2010)
<b>Housing material</b>	Red glass-filled polyester body, black glass-filled polyamide actuator housing
<b>Actuator key material</b>	Stainless steel
<b>Electrical connection</b>	Side or bottom exit cable (UL rated 105 °C with PVC jacket and cores four conductor 0.5 mm <sup>2</sup> , 20 AWG). Side or bottom exit integral M12 Micro 4-pin dc-style connector, Side and bottom exit (twin connectors) integral M12 Micro 4-pin dc style connectors for daisy chaining and monitoring multiple doors
<b>Contact/switch options<sup>1</sup></b>	1NC/1NO slow action BBM, 2NC slow action
<b>Contact design</b>	Double break, electrically separated (Zb)
<b>Contact material</b>	Silver alloy (standard), gold-plated (low energy applications)
<b>Electrical ratings</b>	See Table 2
<b>Utilization category</b>	AC-15, B300; DC-13, Q300
<b>Rated operational voltage (U<sub>e</sub>)</b>	240 Vac, 250 Vdc
<b>Rated operational current (I<sub>e</sub>)</b>	1.5 A, 0.27 A
<b>Thermal current (I<sub>th</sub>)</b>	5 A, GKME Series 2 A
<b>Rated insulation (U<sub>i</sub>)</b>	500 V
<b>Rated impulse withstand voltage (U<sub>imp</sub>)</b>	2500 V
<b>Short circuit protection device (SCPD)</b>	Class RK5 fuse, rated at 4.5A
<b>Pollution degree</b>	3
<b>Environmental sealing</b>	IP 66/67, GKME Series (twin connectors) IP66 per EN60529; NEMA 1, 12, 13
<b>Operating temperature</b>	-25 °C to 85 °C (-13 °F to 185 °F)
<b>Shock</b>	50 G per IEC 60068-2-27
<b>Vibration</b>	10 G per IEC 60068-2-6
<b>MCTF (Mechanical life)</b>	>1,000,000 cycles with single-sided confidence limit of 95%
<b>MCTF (Electrical life)</b>	32,000 cycles
<b>SIL Capability<sup>2</sup></b>	SIL3 capable with HFT=1, SIL2 capable with HFT=0 with reference to IEC 61508-2:2010 Functional Safety
<b>Proof test interval</b>	1 year

<sup>1</sup>All normally closed contacts are positive opening 

<sup>2</sup>HFT (Hardware Fault Tolerance).

**Table 2. Electrical Ratings**

Electrical Ratings for Body Style A, B, C, D				Electrical Ratings for Body Style E (Twin Conn.)	
Standard Silver Contacts		Gold Plate Contacts		Standard Silver Contacts	Gold Plate Contacts
<b>AC</b>	<b>DC</b>	$I_{th} = 5 A$ $1 V, 10 \mu A \text{ min.}$ $50 V, 100 mA \text{ max.}$		$30 Vdc, 2 A \text{ max.}$ $I_{th} = 2 A$	$1 Vdc, 10 \mu A \text{ min.}$ $30 Vdc, 100 mA \text{ max.}$ $I_{th} = 2 A$
B300	AC15 Q300 DC13				
U <sub>e</sub>	I <sub>e</sub> U <sub>e</sub> I <sub>e</sub>				
Volts	Amps Volts Amps				
120	3 125 0.55				
240	1.5 250 0.27				

# Key-Actuated Safety Switches, GKM Series

Figure 1. Product Nomenclature

	<b>GKM</b>	<b>D</b>	<b>0</b>	<b>3</b>		
	Switch Type	Body Style	Electrical Termination	Circuitry		
<b>GKM Series Dual-Entry, Key-Operated Safety Switch</b>	<b>A</b>	Side exit cable	<b>0</b>	M12 micro connector, 4-pin male	<b>3</b>	1NC/1NO, BBM slow action
	<b>B</b>	Bottom exit cable	<b>1</b>	1 m, four conductor cable	<b>6</b>	2NC, slow action
	<b>C</b>	Side exit connector	<b>2</b>	2 m, four conductor cable	<b>7</b>	2NC, gold contacts slow action
	<b>D</b>	Bottom exit connector	<b>3</b>	3 m, four conductor cable	<b>9</b>	1NC/1NO, BBM gold contacts slow action
	<b>E</b>	Twin connectors				

Keys <sup>1</sup> Listing	Key style
GKZ51M	Straight
GKZ52M	90°
GKZ53M	Side/side adjustable
GKZ54M	Up/down adjustable
GKZ55M	Multi-directional

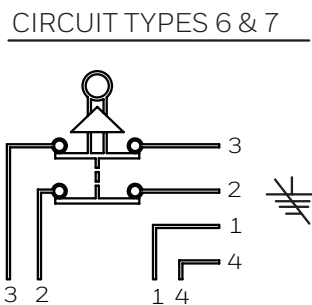
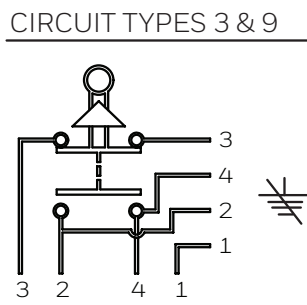
<sup>1</sup> A key actuator (ordered separately) is required for each switch.

NOTE: not all combinations of model code are available. Please contact your Honeywell provider/representative for assistance.

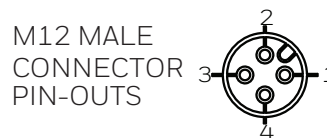
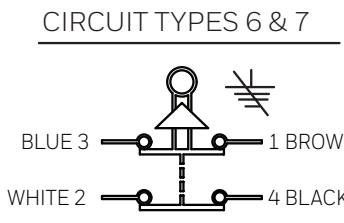
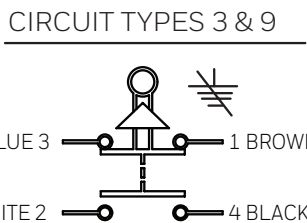
Figure 2. Wiring

## CIRCUIT DIAGRAMS<sup>2</sup>

### TWIN CONNECTORS



### CABLE/LEADWIRE OR CONNECTOR



<sup>2</sup>Refer to circuitry in Figure 1 (Product nomenclature).

# Key-Actuated Safety Switches, GKM Series

Figure 3. Product Dimensions • Body Style B

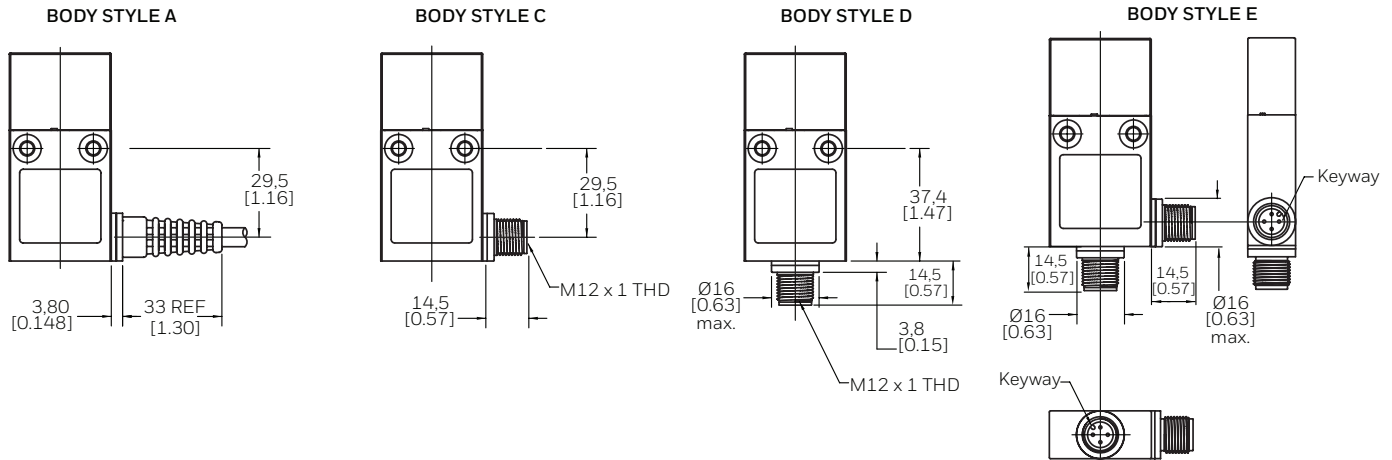
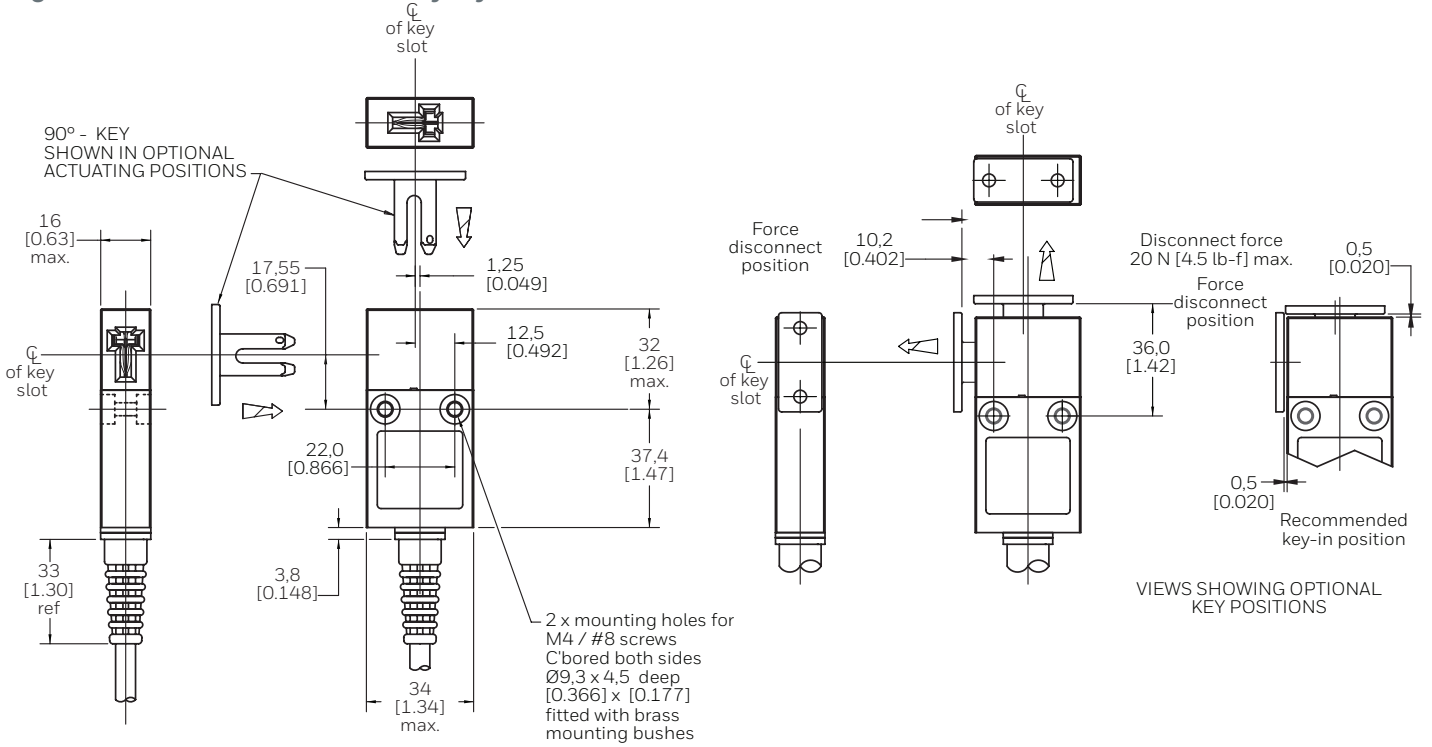
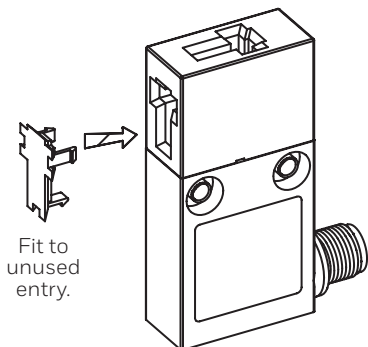


Figure 4. Slot Dust Cover



# Key-Actuated Safety Switches, GKM Series

Figure 5. Key Dimensions, continued

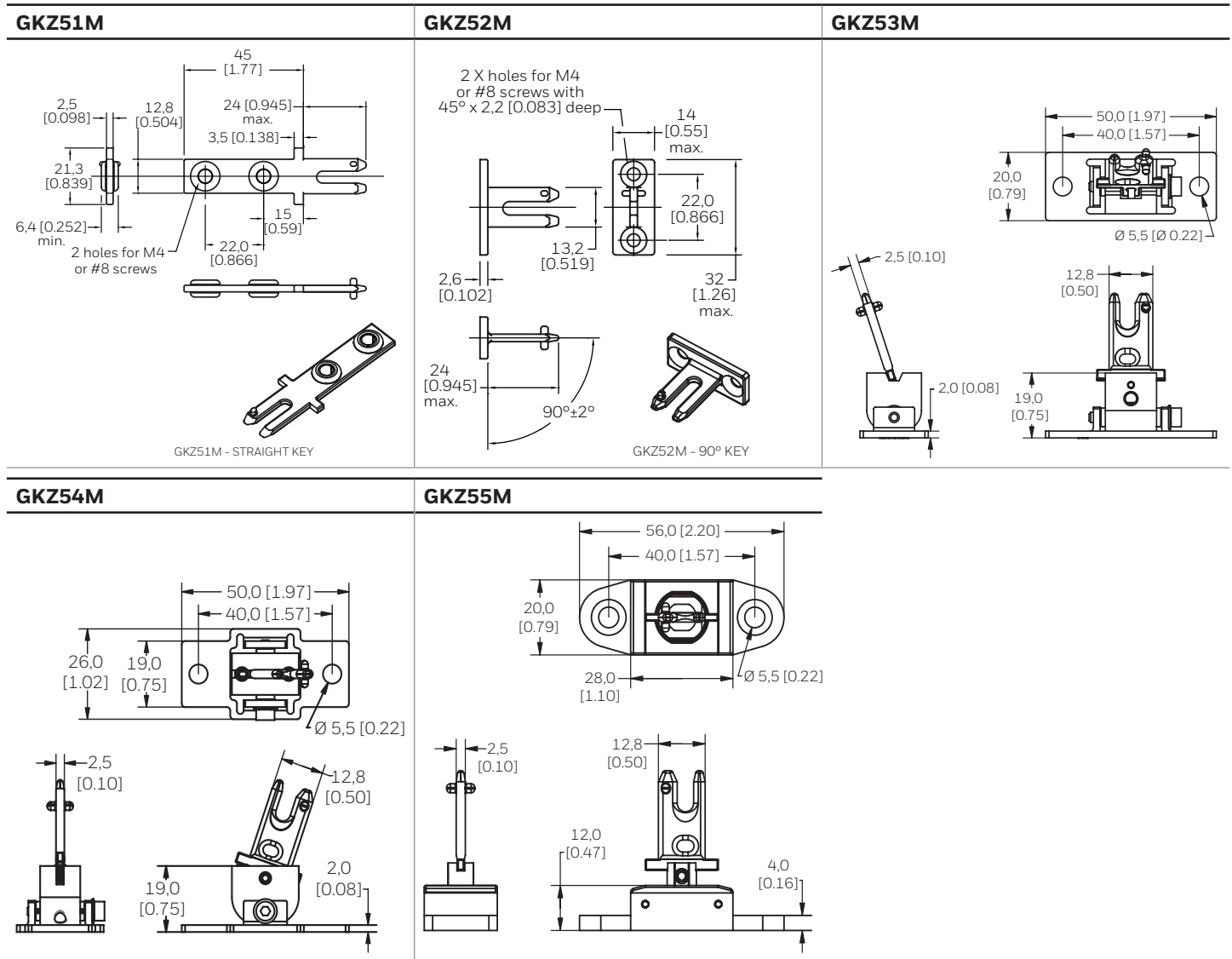


Table 3. Minimum Actuating Radius

Catalog Listing, Description	Key opening of switch (vertical) min. radius	Key opening of switch (horizontal) min. radius
GKZ51M, Straight key	225 mm [8.9 in]	160 mm [6.3 in]
GKZ52M, 90° key (right angle)	225 mm [8.9 in]	160 mm [6.3 in]
GKZ53M, Adjustable key (side-side)	32 mm [1.26 in]	160 mm [6.3 in]
GKZ54M, Adjustable key (up-down)	225 mm [8.9 in]	45 mm [1.77 in]
GKZ55M, Multi-directional key	18° max. all directions	18° max. all directions

# Key-Actuated Safety Switches, GKM Series

Table 4. Order Guide

	Catalog Listing <sup>1</sup>	Body Style	Contacts	Contact Material	Electrical Connection
	GKMA13	Side exit cable	1NC/1NO slow action, BBM	Silver	1 meter cable
	GKMA19	Side exit cable	1NC/1NO slow action, BBM	Gold plated	1 meter cable
	GKMA23	Side exit cable	1NC/1NO slow action, BBM	Silver	2 meter cable
	GKMA33	Side exit cable	1NC/1NO slow action, BBM	Silver	3 meter cable
	GKMA16	Side exit cable	2NC slow action	Silver	1 meter cable
	GKMA36	Side exit cable	2NC slow action	Silver	3 meter cable
	GKMB13	Bottom exit cable	1NC/1NO slow action, BBM	Silver	1 meter cable
	GKMB19	Bottom exit cable	1NC/1NO slow action, BBM	Gold plated	1 meter cable
	GKMB23	Bottom exit cable	1NC/1NO slow action, BBM	Silver	2 meter cable
	GKMB33	Bottom exit cable	1NC/1NO slow action, BBM	Silver	3 meter cable
	GKMB39	Bottom exit cable	1NC/1NO slow action, BBM	Gold plated	3 meter cable
	GKMB16	Bottom exit cable	2NC slow action	Silver	1 meter cable
	GKMB17	Bottom exit cable	2NC slow action	Gold plated	1 meter cable
	GKMB36	Bottom exit cable	2NC slow action	Silver	3 meter cable
	GKMB37	Bottom exit cable	2NC slow action	Gold plated	3 meter cable
	GKMB56	Bottom exit cable	2NC slow action	Silver	5 meter cable
	GKMC03	Side exit connector	1NC/1NO slow action, BBM	Silver	M12 Micro connector, 4-pin male
	GKMC09	Side exit connector	1NC/1NO slow action, BBM	Gold plated	M12 Micro connector, 4-pin male
	GKMC06	Side exit connector	2NC slow action	Silver	M12 Micro connector, 4-pin male
	GKMC07	Side exit connector	2NC slow action	Gold plated	M12 Micro connector, 4-pin male
	GKMD03	Bottom exit connector	1NC/1NO slow action, BBM	Silver	M12 Micro connector, 4-pin male
	GKMD09	Bottom exit connector	1NC/1NO slow action, BBM	Gold plated	M12 Micro connector, 4-pin male
	GKMD06	Bottom exit connector	2NC slow action	Silver	M12 Micro connector, 4-pin male
	GKMD07	Bottom exit connector	2NC slow action	Gold plated	M12 Micro connector, 4-pin male
	GKME03	Bottom & side exit connector	1NC/1NO slow action, BBM	Silver	Twin M12 Micro connectors, 4-pin male
	GKME09	Bottom & side exit connector	1NC/1NO slow action, BBM	Gold plated	Twin M12 Micro connectors, 4-pin male
	GKME06	Bottom & side exit connector	2NC slow action	Silver	Twin M12 Micro connectors, 4-pin male
	GKME07	Bottom & side exit connector	2NC slow action	Gold plated	Twin M12 Micro connectors, 4-pin male

<sup>1</sup> An actuator key (ordered separately) is required for each switch. Select actuator key by reviewing product nomenclature tree and dimensional diagrams on page 5.

## ADDITIONAL MATERIALS

The following associated literature is available on the Honeywell web site at [sensing.honeywell.com](http://sensing.honeywell.com):

- Product installation instructions
- Product range guide

### Find out more

Honeywell serves its customers through a worldwide network of sales offices, representatives and distributors. For application assistance, current specifications, or pricing contact your local sales office.

To learn more about Honeywell's products, call **+1-815-235-6847** or **1-800-537-6945**, visit **[sensing.honeywell.com](http://sensing.honeywell.com)**, or e-mail inquiries to **[info.sc@honeywell.com](mailto:info.sc@honeywell.com)**

### Honeywell Sensing and Internet of Things

9680 Old Bailes Road  
Fort Mill, SC 29707  
[honeywell.com](http://honeywell.com)

## **WARNING** **IMPROPER INSTALLATION**

- Consult with local safety agencies and their requirements when designing a machine-control link, interface and all control elements that affect safety.
- Strictly adhere to all installation instructions.

**Failure to comply with these instructions could result in death or serious injury.**

## **WARNING** **MISUSE OF DOCUMENTATION**

- The information presented in this product sheet is for reference only. Do not use this document as a product installation guide.
- Complete installation, operation, and maintenance information is provided in the instructions supplied with each product.

**Failure to comply with these instructions could result in death or serious injury.**

### Warranty/Remedy

Honeywell warrants goods of its manufacture as being free of defective materials and faulty workmanship during the applicable warranty period. Honeywell's standard product warranty applies unless agreed to otherwise by Honeywell in writing; please refer to your order acknowledgment or consult your local sales office for specific warranty details. If warranted goods are returned to Honeywell during the period of coverage, Honeywell will repair or replace, at its option, without charge those items that Honeywell, in its sole discretion, finds defective. **The foregoing is buyer's sole remedy and is in lieu of all other warranties, expressed or implied, including those of merchantability and fitness for a particular purpose. In no event shall Honeywell be liable for consequential, special, or indirect damages.**

While Honeywell may provide application assistance personally, through our literature and the Honeywell web site, it is buyer's sole responsibility to determine the suitability of the product in the application.

Specifications may change without notice. The information we supply is believed to be accurate and reliable as of this writing. However, Honeywell assumes no responsibility for its use.

# Honeywell

# Mouser Electronics

Authorized Distributor

Click to View Pricing, Inventory, Delivery & Lifecycle Information:

[Honeywell:](#)

[GKMA16](#)