

4

3

2

1

THIS DRAWING IS UNPUBLISHED. RELEASED FOR PUBLICATION 20
© COPYRIGHT 20 BY TYCO ELECTRONICS CORPORATION. ALL RIGHTS RESERVED.

LOC	DIST	REVISIONS			
P	LTR	DESCRIPTION	DATE	DWN	APVD
DS	-	A	RELEASED	30.JUN.'09	SH JK

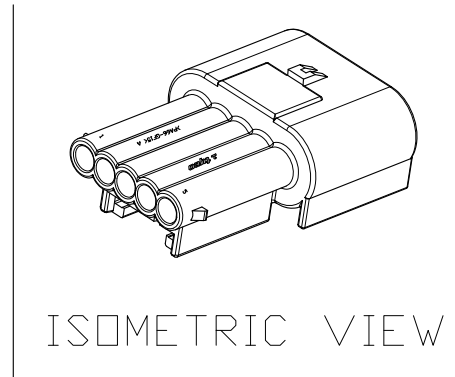
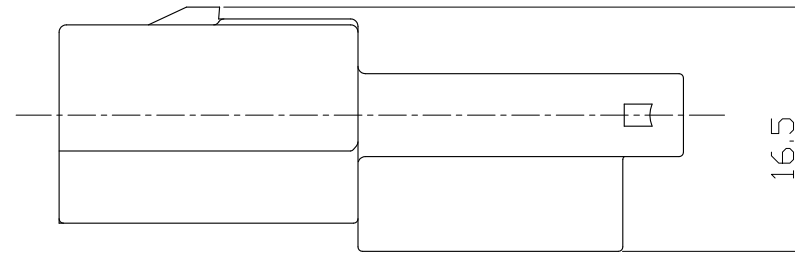
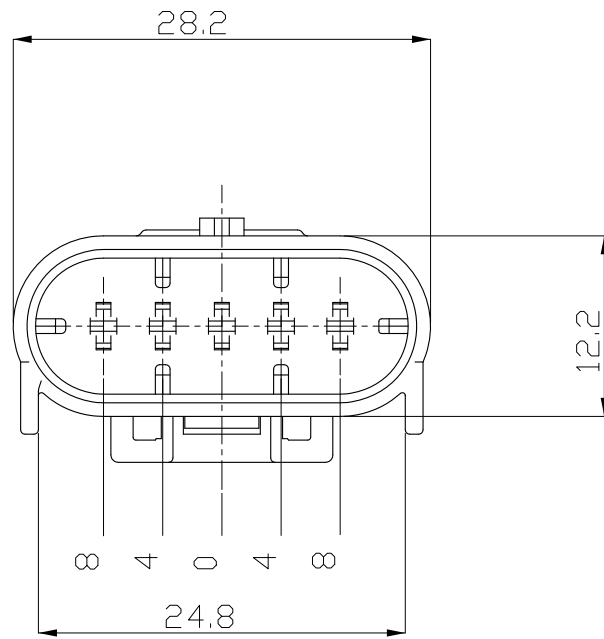


TABLE 2.

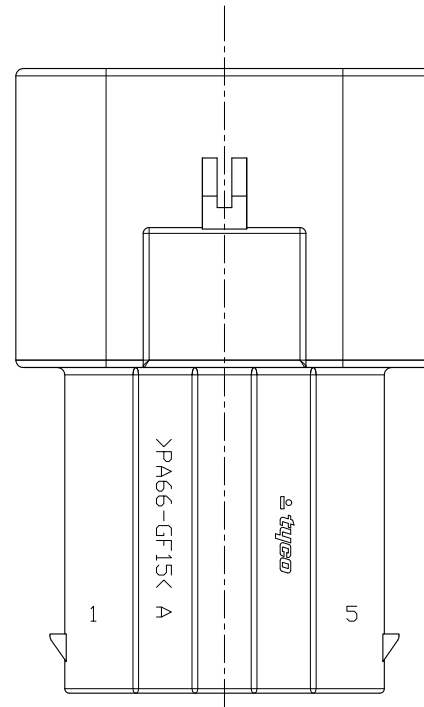
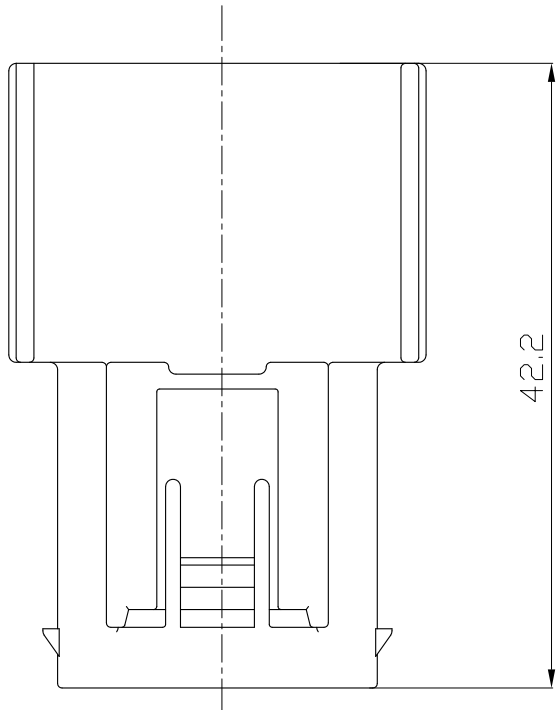
TAPE	PART NO.	INSULASION DIA. (mm)	COLOR
MCP1.5	1718705-1	0.9 - 1.2	GREEN
	964971-1	1.2 - 1.6	RED
	963530-1	1.4 - 1.9	GREY
	964972-1	1.9 - 2.3	YELLOW
	963531-1	CAVITY PLUG	WHITE

TABLE 1.

TAPE	PART NO.	WIRE RANGE (mm)	INSULASION DIA. (mm)	FINISH
MCP1.5	969028-1	0.2 - 0.5	1.2 - 1.6	CuSn4, Tin
	969028-2			CuFe2, Tin
	969028-3			CuSn4, Gold
	964269-1	0.5 - 1.0	1.4 - 2.1	CuSn4, Tin
	964269-2			CuFe2, Tin
	964269-3			CuSn4, Gold

NOTE

1. GENERAL TOLERANCE : ±0.3, ±3.0°
2. THE MATING CONNECTOR: 1897208-1
3. APPLICABLE TAB CONTACT P/N: TABLE 1.
4. APPLICABLE WIRE SEAL P/N:TABLE 2



1897207-2	CAP HS'G	PA66-GF15	BLACK
PART NO.	DESCRIPTION	MATERIAL	COLOR

<small>THIS DRAWING IS A CONTROLLED DOCUMENT FOR TYCO ELECTRONICS CORPORATION IT IS SUBJECT TO CHANGE AND THE CONTROLLING ENGINEERING ORGANIZATION SHOULD BE CONTACTED FOR THE LATEST REVISION.</small>		DWN SH LEE CHK YJ YOUN APVD JK SONG PRODUCT SPEC		AMP KOREA, Kyungsan, Korea	
DIMENSIONS: mm 		TOLERANCES UNLESS OTHERWISE SPECIFIED: 0 PLC ±- 1 PLC ±0.5 2 PLC ±0.13 3 PLC ±0.013 4 PLC ±0.0001 ANGLES ±-		NAME MCP 1.5 5P CAP HSG	
MATERIAL SEE TABLE		FINISH APPLICATION SPEC 114-18082		SIZE CAGE CODE DRAWING NO RESTRICTED TO A300779 C-1897207 -	
CUSTOMER DRAWING				SCALE 2:1 SHEET 1 OF 1 REV A	

Mouser Electronics

Authorized Distributor

Click to View Pricing, Inventory, Delivery & Lifecycle Information:

[TE Connectivity:](#)

[1897207-2](#)