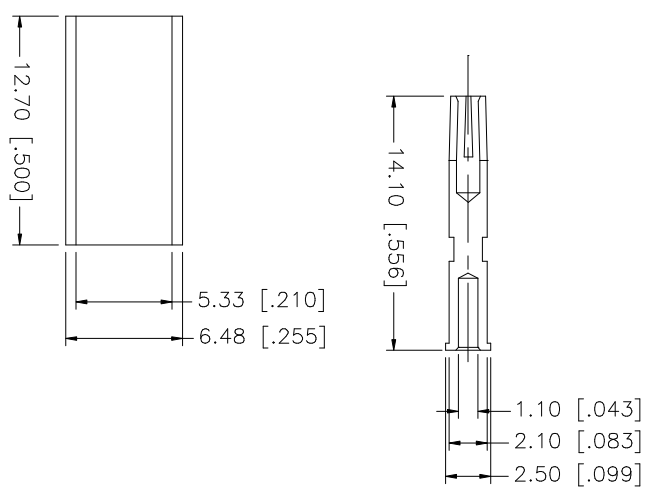
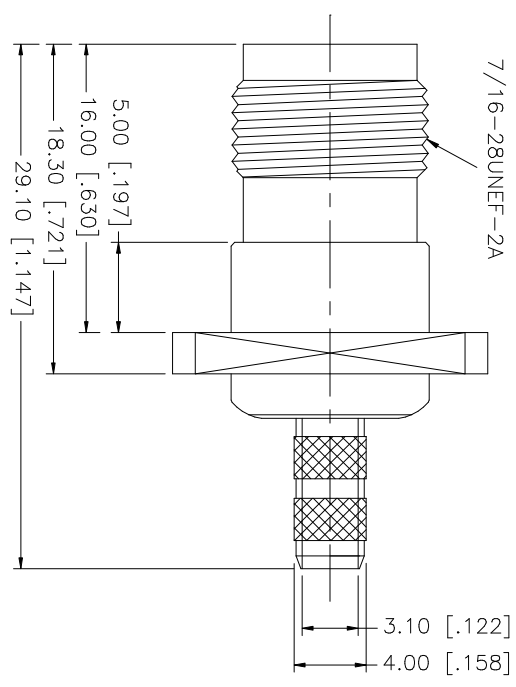
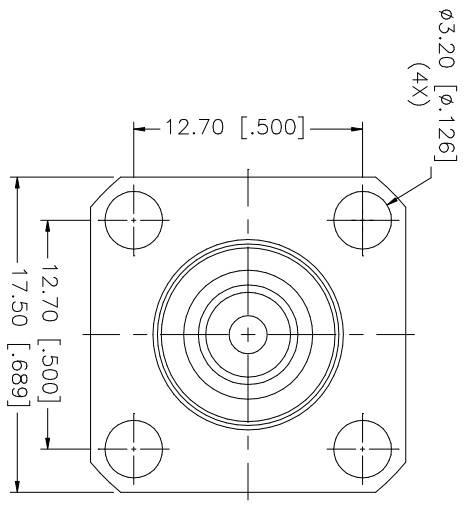
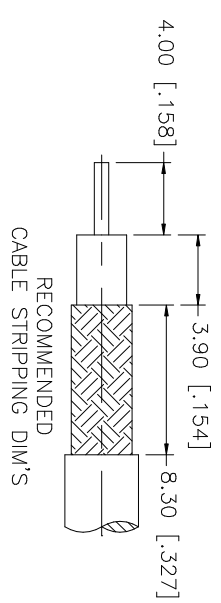


| REV. | DATE | DESCRIPTION |
|------|----------|-----------------------|
| NC | 07/19/99 | INITIAL RELEASE |
| A | 08/07/05 | UPDATE DRAWING FORMAT |



| NO. | DESCRIPTION | MATERIAL | FINISH | QTY |
|-----|-------------|--------------|---------|-----|
| 8 | | | | |
| 7 | | | | |
| 6 | | | | |
| 5 | FERRULE | COPPER | NICKEL | 1 |
| 4 | CONTACT PIN | PHOS. BRONZE | GOLD | 1 |
| 3 | INSULATOR | TEFLON | NATURAL | 1 |
| 2 | BODY | BRASS | NICKEL | 1 |
| 1 | DESCRIPTION | MATERIAL | FINISH | QTY |

| UNLESS OTHERWISE SPECIFIED, DIMENSIONS ARE IN MILLIMETERS (DIMENSIONS IN INCHES ARE IN PARENTHESES) |
|---|
| TOLERANCES FOR MILLIMETERS ARE: |
| 0.5 - 8mm ± 0.20mm |
| 8 - 30mm ± 0.40mm |
| 30 - 120mm ± 0.50mm |
| TOLERANCES FOR INCHES ARE: |
| .020 - .315 = ± 0.007" |
| .315 - 1.180 = ± 0.015" |
| 1.180 - 4.724 = ± 0.020" |

| APPROVALS | DATE |
|--------------|----------|
| DRAWN G.R.S. | 07/31/05 |
| CHECKED | |
| ISSUED | |
| SHEET 1 OF 1 | |

| PART DESCRIPTION | PART NO. |
|--|----------|
| TNC CRIMP PANEL JACK (FOR RG 213/U, 142/U, 400/U CABLE) | 122374 |

| CAD FILE | DWG. NO. | REV. | SIZE | SCALE |
|-------------------|------------|------|------|-------|
| C:/122/122374.DWG | 122374.DWG | A | A | NA |

Amphenol Connex

Mouser Electronics

Authorized Distributor

Click to View Pricing, Inventory, Delivery & Lifecycle Information:

[Amphenol:](#)

[122374](#)