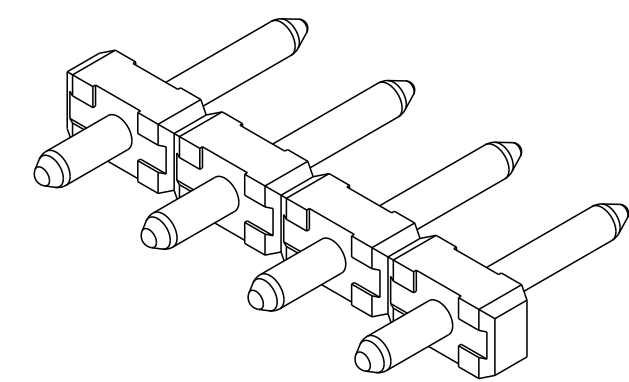
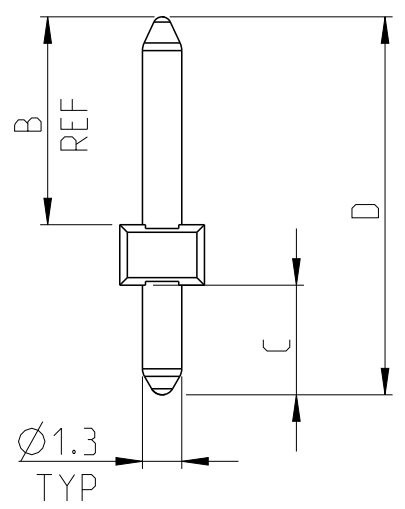
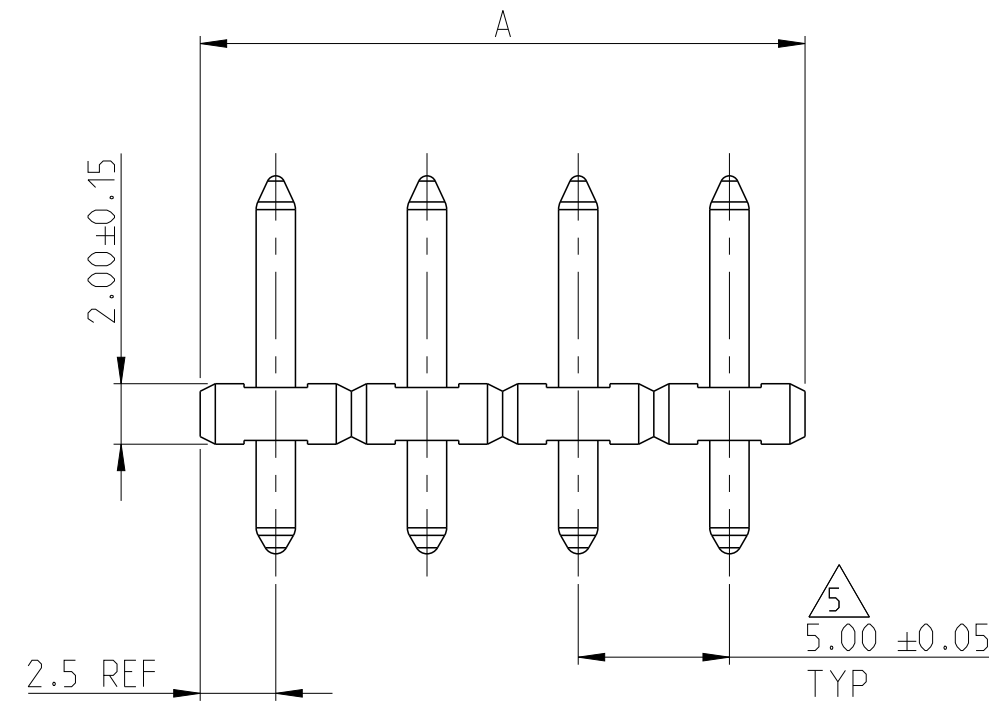
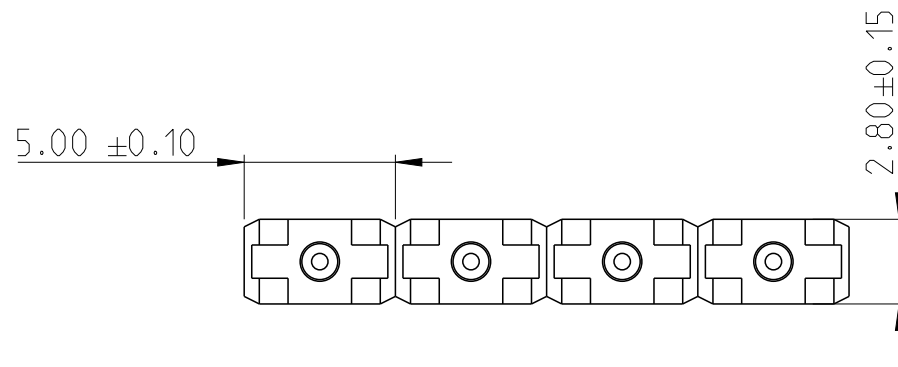
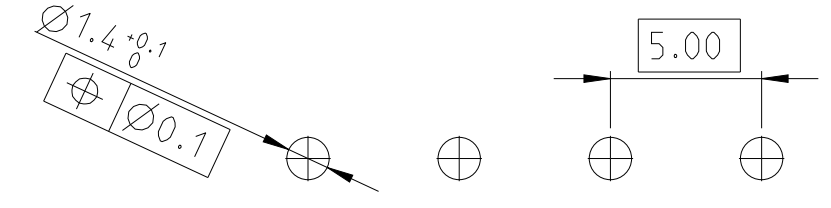


THIS DRAWING IS UNPUBLISHED. RELEASED FOR PUBLICATION 20  
 © COPYRIGHT 20 BY - ALL RIGHTS RESERVED.

LOC	DIST	REVISIONS					
FT	0	P	LTR	DESCRIPTION	DATE	DWN	APVD
			H7	PN 4-282832-1 ADDED	20MAR2018	RK	PS



282832-4 AS SHOWN



RECOMMENDED PC BOARD LAYOUT

TERMINAL PLATING	D	C	B	A	NO OF POSN	PART NUMBER	
PRELIMINARY	TIN	20.5	3.5	15.0	45.0	9	4-282832-1
	TIN	20.5	4.5	14.0	30.0	6	4-282832-0
PRELIMINARY	TIN	20.5	3.5	15.0	20.0	4	3-282832-9
PRELIMINARY	TIN	20.5	3.5	15.0	15.0	3	3-282832-8
		16.5	3.5	11.0	20.0	4	3-282832-7
		20.5	4.5	14.0	15.0	3	3-282832-6
OBSOLETE	TIN	21.1		15.6	20.0	4	<del>3-282832-5</del>
					15.0	3	<del>3-282832-4</del>
OBSOLETE	GOLD	16.5		11.0	15.0	3	<del>3-282832-3</del>
					10.0	2	<del>3-282832-2</del>
OBSOLETE		12.5	3.5	7.0	15.0	3	<del>2-282832-7</del>
					125.0	25	<del>2-282832-6</del>
					120.0	24	<del>2-282832-5</del>
					115.0	23	<del>2-282832-4</del>
					110.0	22	<del>2-282832-3</del>
					105.0	21	<del>2-282832-2</del>
					100.0	20	<del>2-282832-1</del>
					95.0	19	<del>2-282832-0</del>
					90.0	18	<del>1-282832-9</del>
					85.0	17	<del>1-282832-8</del>
					80.0	16	<del>1-282832-7</del>
					75.0	15	<del>1-282832-6</del>
					70.0	14	<del>1-282832-5</del>
OBSOLETE	TIN	16.5	3.5	11.0	65.0	13	<del>1-282832-4</del>
					60.0	12	<del>1-282832-3</del>
					55.0	11	<del>1-282832-2</del>
					50.0	10	<del>1-282832-1</del>
					45.0	9	<del>282832-9</del>
					40.0	8	<del>282832-8</del>
					35.0	7	<del>282832-7</del>
					30.0	6	<del>282832-6</del>
					25.0	5	<del>282832-5</del>
					20.0	4	<del>282832-4</del>
					15.0	3	<del>282832-3</del>
					10.0	2	<del>282832-2</del>

- NOTES:
- MATERIALS AND FINISH:  
HOUSING: PA 4T, UL 94-V0, COLOR GREEN  
TERMINAL: BRASS, PLATING: SEE TABLE.
  - MECHANICAL  
MAX. INSERTION FORCE PER POLE : 2N  
MIN. WITHDRAWAL FORCE PER POLE : 1.2N  
MIN. PC BOARD HOLES DIAMETER : 1.4mm  
MAX. PC BOARD THICKNESS : 2.4mm
  - ELECTRICAL  
MAX. VOLTAGE : 300 V  
MAX CURRENT : 12 A  
CONTACT RESISTANCE : < 15 m Ohm  
INSULATION RESISTANCE : > 1000 M Ohm (500V DC)
  - OPERATING TEMPERATURE RANGE: -40°C TO +110°C
  - TOLERANCE NOT CUMULATIVE.
  - END-TO-END STACKABLE WITHOUT LOSS OF CENTERLINE SPACING.
  - RECOGNIZED UNDER THE COMPONENT PROGRAM OF UNDERWRITERS LABORATORIES INC. FILE N° E60677.

THIS DRAWING IS A CONTROLLED DOCUMENT.

DWN: E. ZANOLINI 14 AUG 2001  
 CHK: D. BIEVENOUR 14 AUG 2001  
 APVD: D. BIEVENOUR 14 AUG 2001

STE TE Connectivity

NAME: TERMINAL BLOCK PIN HEADER UNSHROUDED 5.0 mm PITCH

PRODUCT SPEC: 108-20166  
 APPLICATION SPEC: 114-20079

SIZE: A2 CAGE CODE: 00779 DRAWING NO: C-282832 RESTRICTED TO: -

MATERIAL: 1 TOLERANCES UNLESS OTHERWISE SPECIFIED: 1

WEIGHT: -

CUSTOMER DRAWING SCALE: 4:1 SHEET: 1 OF 1 REV: H7

# Mouser Electronics

Authorized Distributor

Click to View Pricing, Inventory, Delivery & Lifecycle Information:

[TE Connectivity:](#)

[282832-9](#)