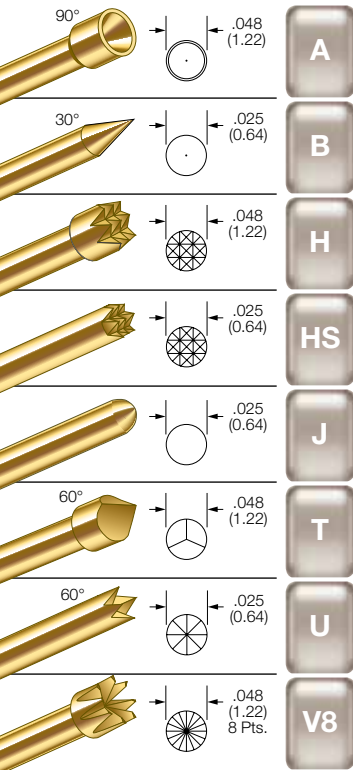


ICT-075 and S-075 Size 075 - .075 Centers

BeCu PLUNGER TIPS



STEEL PLUNGER TIPS



PROBE SPECIFICATIONS

Minimum Centers: .075 (1.91)
Current Rating: 3 amps continuous
Spring Force: 3.0, 5.0, 7.0 or 10.0 oz. @ .170 (4.32) travel
Typical Resistance: < 25 mΩ
Maximum Travel: .250 (6.35)
Working Travel: .170 (4.32)

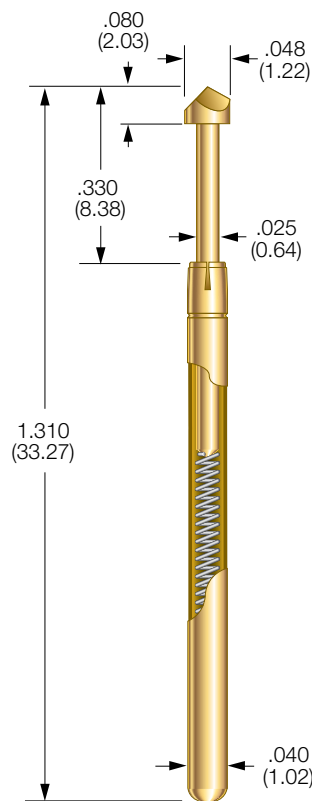
Rated Force oz. (g)	Preload oz. (g)
3.0* (85)	1.2 (34)
5.0 (142)	2.0 (57)
7.0 (198)	2.9 (82)
10.0 (283)	3.3 (94)

*3.0 oz., S-075 only

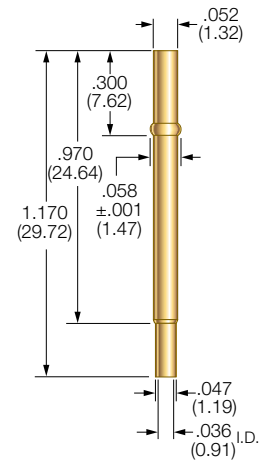
MATERIALS

Barrel: G2
Spring: Music wire, nickel plated
Plunger: Beryllium copper or steel, gold plated over nickel
Receptacle: Nickel/silver, gold plated; gold plated post

ICT-075 PROBE



R-075 Receptacle



Drill Size: 1.45mm
Mounting Hole Size: .055/.057 (1.40/1.45)
Recommended Wire: 24-28 gage

RECEPTACLE OPTIONS

Part Number	Style	Receptacle Length	Probe/Receptacle Combined Length	Comments
R-075-CR	Crimp	1.170 (29.72)	1.500 (38.10)	—
R-075-SC	Solder Cup	1.170 (29.72)	1.500 (38.10)	—
R-075-RP	Round Post	1.545 (39.24)	1.875 (47.63)	.375 post length - .025 dia.
R-075-WW-429	Wire Wrap	1.599 (40.61)	1.929 (49.00)	.429 post length - .025 sq.
R-075-WW-694	Wire Wrap	1.864 (47.35)	2.194 (55.73)	.694 post length - .025 sq.
R-075-WW-1.044	Wire Wrap	2.214 (56.24)	2.544 (64.62)	1.044 post length - .025 sq.

HOW TO ORDER: SPRING CONTACT PROBE

ICT	075	T	5.0	G	S
SERIES	SIZE	TIP STYLE	SPRING FORCE	PLATING OPTIONS	STEEL PLUNGER OPTION

SERIES:
ICT: HIGH PERFORMANCE
S: STANDARD PERFORMANCE, (NO BIFURCATED BEAM)
CRIMPING PLIERS: CPR075
INSERTION TOOL: RTR075

SPRING FORCE:
 3.0 oz. @ .170 (4.32) TRAVEL*
 5.0 oz. @ .170 (4.32) TRAVEL
 7.0 oz. @ .170 (4.32) TRAVEL
 10.0 oz. @ .170 (4.32) TRAVEL

*S-075 SERIES ONLY

RECEPTACLE

R	075	WW	429
SERIES	SIZE	TERMINATION	POST LENGTH

TERMINATIONS:
CR: CRIMP
SC: SOLDER CUP
RP: ROUND POST
WW: WIRE WRAP

POST LENGTH:
WW: 429, 694 OR 1.044

VIEW UPDATES OF THIS INFORMATION AT WWW.IDINET.COM

Specifications subject to change without notice. Dimensions in inches (millimeters)

Mouser Electronics

Authorized Distributor

Click to View Pricing, Inventory, Delivery & Lifecycle Information:

Smiths Interconnect:

[R-075-SC](#) [R-075-WW-429](#) [R-075-CR](#) [ICT075A-7](#) [ICT075G-7](#) [ICT-075-T-5-G](#) [ICT-075-J-5-G S/C](#) [ICT-075-A-10-G S/C](#) [ICT-075-A-5-G S/C](#) [ICT-075-A-7-G S/C](#) [ICT-075-B-10-G S/C](#) [ICT-075-B-10-G-S S/C](#) [ICT-075-B-5-G S/C](#) [ICT-075-B-5-G-S S/C](#) [ICT-075-B-7-G S/C](#) [ICT-075-B-7-G-S S/C](#) [ICT-075-C-10-G S/C](#) [ICT-075-C-5-G S/C](#) [ICT-075-C-7-G S/C](#) [ICT-075-G-10-G S/C](#) [ICT-075-G-5-G S/C](#) [ICT-075-H-10-G S/C](#) [ICT-075-H-5-G S/C](#) [ICT-075-H-7-G](#) [ICT-075-HS-10-G S/C](#) [ICT-075-HS-5-G S/C](#) [ICT-075-HS-7-G S/C](#) [ICT-075-HSC-10-G S/C](#) [ICT-075-HSC-5-G S/C](#) [ICT-075-HSC-7-G S/C](#) [ICT-075-J-10-G S/C](#) [ICT-075-J-7-G S/C](#) [ICT-075-M-10-G-S S/C](#) [ICT-075-M-5-G-S S/C](#) [ICT-075-M-7-G-S S/C](#) [ICT-075-NT-10-G-S S/C](#) [ICT-075-NT-5-G-S S/C](#) [ICT-075-NT-7-G-S S/C](#) [ICT-075-R-10-G-S S/C](#) [ICT-075-R-5-G-S S/C](#) [ICT-075-R-7-G-S S/C](#) [ICT-075-S-10-G-S S/C](#) [ICT-075-S-5-G-S S/C](#) [ICT-075-S-7-G-S S/C](#) [ICT-075-SP-10-G-S S/C](#) [ICT-075-SP-5-G-S S/C](#) [ICT-075-SP-7-D-S S/C](#) [ICT-075-SP-7-G-S S/C](#) [ICT-075-SW-10-G-S S/C](#) [ICT-075-T-10-G S/C](#) [ICT-075-T-7-G S/C](#) [ICT-075-TX-10-G S/C](#) [ICT-075-TX-5-G S/C](#) [ICT-075-TX-7-D S/C](#) [ICT-075-TX-7-G S/C](#) [ICT-075-U-10-G S/C](#) [ICT-075-U-10-G-S S/C](#) [ICT-075-U-5-G S/C](#) [ICT-075-U-5-G-S S/C](#) [ICT-075-U-7-G S/C](#) [ICT-075-U-7-G-S S/C](#) [ICT-075-UR-10-G-S S/C](#) [ICT-075-UR-5-G-S S/C](#) [ICT-075-UR-7-G-S S/C](#) [ICT-075-V8-10-G S/C](#) [ICT-075-V8-5-G S/C](#) [ICT-075-V8-7-G S/C](#) [ICT-075-VLT-10-G-S S/C](#) [ICT-075-VLT-5-G-S S/C](#) [ICT-075-VLT-7-G-S S/C](#) [ICT-075-VT-10-G-S S/C](#) [ICT-075-VT-5-G-S S/C](#) [ICT-075-VT-7-G-S S/C](#) [ICT-075-Y-10-G-S S/C](#) [ICT-075-Y-5-G-S S/C](#) [ICT-075-Y-7-D-S S/C](#) [ICT-075-Y-7-G-S S/C](#) [101116-047-922](#)