

FM series

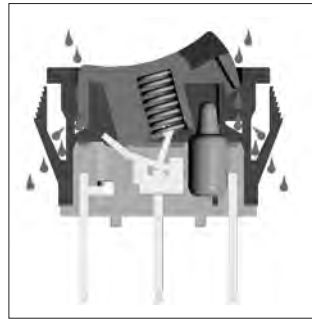
Snap-in rocker switches - panel cut-out 19 x 13 (.750 x .508)

Distinctive features and specifications

UG1410A

- Illuminated and non-illuminated**
- For class II appliances**
- VDE and UL approved**
- Protection against moisture by double-shell case**

When the switch is submitted to moisture (drops, condensation), the double-shell case conducts the liquid outside, thus protecting the contact area and terminals. The light dripping inside the equipment resulting from this should be evacuated by adequate arrangement on back of panel.



- Protection by boot**

In case of sand or splashing water, the best protection consists of insulating the rocker from these aggressive elements. This can be achieved with transparent PVC boot **U5720**. Order separately, see section H.

AGENCY APPROVALS



EN 61058-1



Availability : functions 1 and 6

Marking : approved models are standard marked.

Dimensions : first dimensions are in mm while inches are shown as bracketed numbers.



Packaging unit : 50 pieces.

The company reserves the right to change specifications without notice.

FM series

Snap-in rocker switches - panel cut-out 19 x 13 (.750 x .508)

Single pole - non-illuminated

- Approved ratings (functions 1 and 6) :
VDE : 10(4)A 250VAC T85°C - UL : 6A 250VAC & 125VAC T65°C
- Max. contact rating :
- functions 1 and 6 : see above.
- function 3 : 4A 250VAC
- functions 8 and 9 : 6A 250VAC
- Initial contact resistance : 20mΩ max.
- Insulation resistance : 1.000 MΩ min. at 500VDC
- Dielectric strength : - functions 1 and 6 : 2.500 Vrms between terminals
- functions 3, 8 and 9 : 1.500 Vrms between terminals
- Electrical life at full load : 10 000 cycles

- Operating temperature :
-20°C to +85°C
- Case, frame, rocker : PA6/6
- Contacts : silver
- Terminals : silver plated
- Panel cut-out :

Panel thickness	Dim. Y	Dim. Z
0,75 to 1,25 mm	19,2 +0/-0,1	12,9 +0,15/-0
1,25 to 2 mm	19,4 +0/-0,1	12,9 +0,15/-0
2 to 3 mm	19,8 +0/-0,1	12,9 +0,15/-0

FM	C			A			0	0	
----	---	--	--	---	--	--	---	---	--

SERIES	Electrical functions	Contacts	Frame colour	Rocker colours	Lamp	Lens colour	Marking *
	1 ON - OFF 3 MOM - OFF 6 ON - ON 8 ON OFF MOM 9 ON OFF ON	A Silver	2 Black Others : on request.	1 Blue 2 Black (std) 3 Green 4 Grey 5 Yellow 6 Red (std) 7 Ivory 7/1 White 9 Orange	0 None	0 No lens	000 None 001 <input type="text" value="0"/> 002 <input type="text" value="0"/> - 003 <input type="text" value="0"/> I 004 <input type="text" value="I"/> <input type="text" value="0"/> II 005 <input type="text" value="#"/> <input type="text" value="0"/>
Rocker		Terminals					
C Non illum. Concave		2 Solder lug 8 Quick-conn. 9 Straight PC (funct. 1 & 6)					

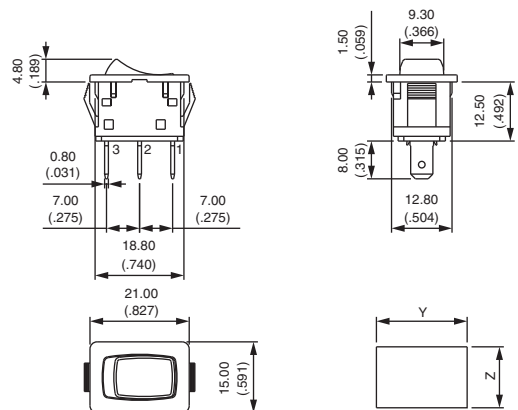
* Colour of marking : white for black rockers - black for other colours - Other : on request.

Single throw and double throw switch



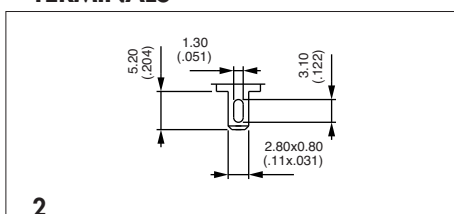
FMC1
FMC3
FMC6
FMC8
FMC9

1-2	2-3
ON - OFF	ON - OFF
MOM - OFF	MOM - OFF
ON - ON	ON - ON
ON OFF MOM	ON OFF MOM
ON OFF ON	ON OFF ON



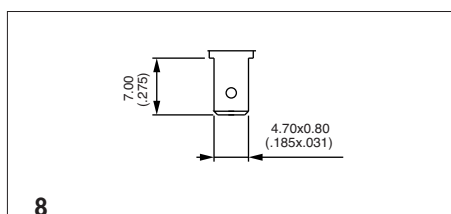
Shown with quick-connect terminals

TERMINALS



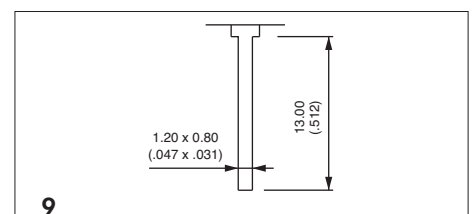
2

Solder lug



8

Quick-connect



9

Straight PC (functions 1 and 6 only)

FM series

Snap-in rocker switches - panel cut-out 19 x 13 (.750 x .508)

Single pole - illuminated

- Approved ratings :
VDE : 10(4)A 250VAC T85°C - **UL** : 6A 250VAC & 125VAC T65°C
- LED types available :
 3,3V (4V max.) 10mA LED (resistor to be series connected by the user)
 5V or 12V LED with integrated resistor
- Initial contact resistance : 20mΩ max.
- Insulation resistance : 1.000 MΩ min. at 500VDC
- Dielectric strength : 2.500 Vrms between terminals
- Electrical life at full load : 10 000 cycles
- Operating temperature: - 20°C to + 85°C
- Case, frame and rocker : PA6/6

- Lens : PC
- Contacts : silver
- Terminals : silver plated
- Lamp terminal : no plating
- Fluorescent lamp for blue or green lens, neon lamp for other colours
- Panel cut-out :

Panel thickness	Dim. Y	Dim. Z
0,75 to 1,25 mm	19,2 +0/-0,1	12,9 +0,15/-0
1,25 to 2 mm	19,4 +0/-0,1	12,9 +0,15/-0
2 to 3 mm	19,8 +0/-0,1	12,9 +0,15/-0

FM	L	1	8	A						
SERIES	Electr. function		Contacts		Rocker colour		Lens colour		Lamp	Marking *
	1 ON - OFF		A Silver		1 Blue 2 Black (std) 3 Green 4 Grey 5 Yellow 6 Red (std) 7 Ivory 7/1 White 9 Orange		1 Blue * 3 Green * 5 Yellow 6 Red 8 Translucent 9 Orange * w. fluorescent lamp		A 220V neon B 220V fluor. C 110V neon D 110V fluor.	000 None 001 <input type="text" value="0"/>
Rocker	Terminals		Frame colour						LED 3,3V 10mA	LED 5V
L Illumin. concave	8 Quick-connect		2 Black Others : on request.						E Blue F Red/green G Green H Yellow J White K Red L Orange No resistor**	N Green P Yellow Q Red
									LED 12V	T Green U Yellow V Red

* **Colour of marking** : white for black rockers - black for other colours - Other : on request.

** Resistor value = $\frac{\text{supply voltage} - \text{LED forward voltage}}{\text{LED forward current}}$

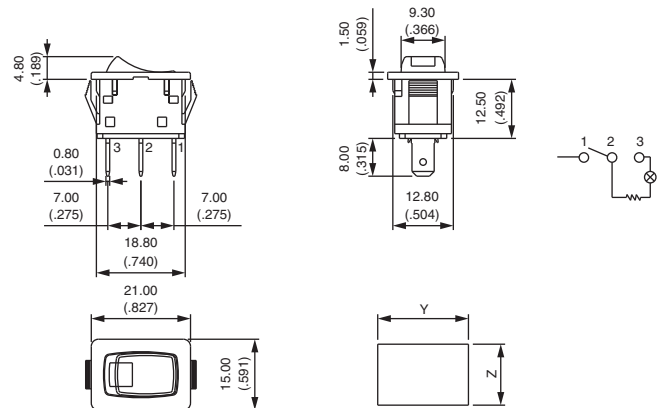
Illuminated switches - quick-connect terminals



FML1

ON - OFF

For LED models, terminal 2 = cathode (-), terminal 3 = anode (+)



Mouser Electronics

Authorized Distributor

Click to View Pricing, Inventory, Delivery & Lifecycle Information:

Apem:

[FMC62A2200000](#) [FMC92A2200000](#) [FMC32A2200000](#) [FMC12A2200000](#) [FML18A276A000](#) [FMC12A2200005](#)
[FMC12A2500000](#) [FMC12A2600000](#) [FMC18A2200000](#) [FMC18A2200002](#) [FMC18A2200003](#) [FMC18A2200005](#)
[FMC18A2300000](#) [FMC18A2600002](#) [FMC18A2600003](#) [FMC18A2700001](#) [FMC19A2200000](#) [FMC19A2200005](#)
[FMC38A2200000](#) [FMC38A2200002](#) [FMC38A2200003](#) [FMC38A2600000](#) [FMC38A2600003](#) [FMC68A2200000](#)
[FMC68A2200003](#) [FMC68A2200006](#) [FMC68A2600000](#) [FMC69A2900000](#) [FMC78A2200006](#) [FMC82A2200000](#)
[FMC88A2200000](#) [FMC88A2200006](#) [FMC92A2200004](#) [FMC98A2200000](#) [FMC98A2200004](#) [FMC98A2200006](#)
[FMC98A2600004](#) [FML18A221D000](#) [FML18A223B000](#) [FML18A225A000](#) [FML18A226A000](#) [FML18A226V000](#)
[FML18A228A000](#) [FML18A228B000](#) [FML18A236A000](#) [FML18A266A000](#)