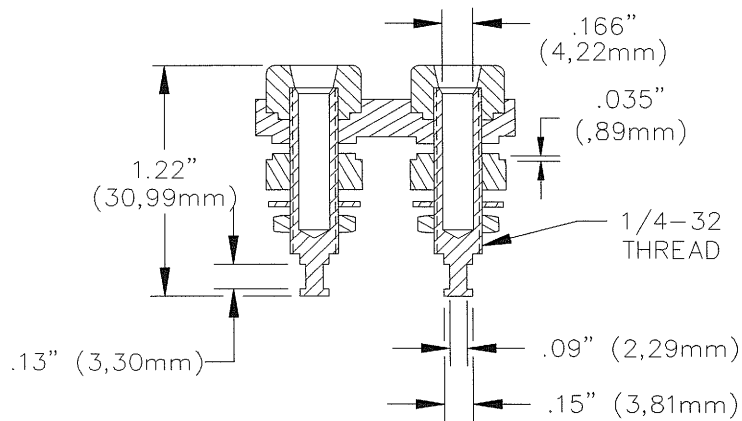
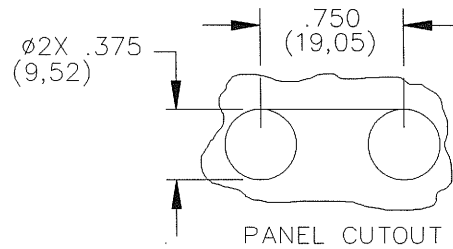
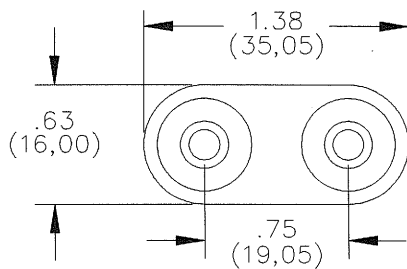


# MUELLER®

**MODEL: BU-P2269**

**Double Banana Jack (Panel mount)**



## MATERIALS:

Contacts – Nickel Plated Brass

Insulators – Nylon

Solder connection

## RATING:

15 Amps

Hands free testing to 1000 VDC max.

Temperature: -50°C to 120°C

# Mouser Electronics

Authorized Distributor

Click to View Pricing, Inventory, Delivery & Lifecycle Information:

[Mueller Electric:](#)

[BU-P2269](#)