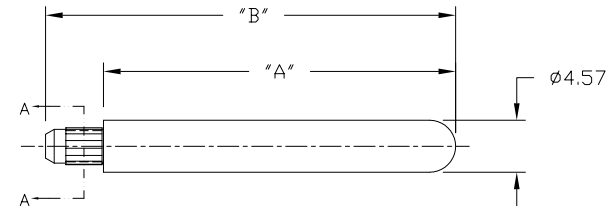
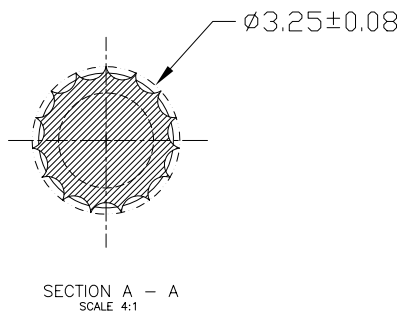
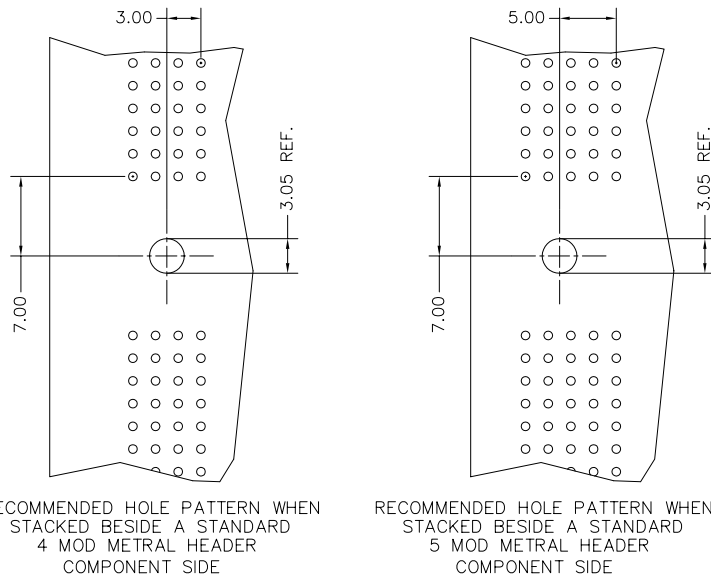


PRODUCT NUMBER	DIMENSIONS	
	"A"	"B"
74748-101	31.00	36.10
74748-102	20.02	25.12



NOTES:

- MATERIAL: STAINLESS STEEL, TYPE 303.
FINISH: PASSIVATED.
- THIS GUIDE PIN IS INTENDED TO BE INSERTED INTO A 3.05 ± 0.08 NONPLATED THROUGH HOLE.
- SHORT GUIDE PINS TO BE USED WHEN A PCB STIFFENER IS PRESENT ON BOARD.
- THIS GUIDE PIN IS TO BE USED WITH RECEPTACLE P/N 88917 FOR A 4 ROW APPLICATION, AND P/N 73474 FOR A 5 ROW APPLICATION.
- PART NUMBERS WITH "LF" SUFFIX AT THE END ARE LEAD FREE OPTION.
- THIS PRODUCT MEETS EUROPEAN UNION DIRECTIVES AND OTHER COUNTRY REGULATION AS DESCRIBED IN GS-22-008.



mat'l. code		surface		tolerance		projection		product family	
SEE NOTE 1		ISO 1302 ✓		ISO 406 ISO 1101				METRAL ACC	
ltr		ecn no		date		tolerances unless otherwise specified		title	
D	V12721	RPM	11/20/01	angles	linear	.0±.3 .00±.13 .000±.0051		PRESS-FIT GUIDE PIN	
E	V12733	LSS	12/6/01	0°±2'		scale 1:1		dwg no	
F	V20703	CGD	04/15/02					sheet 1 of 1 size	
G	V21645	TAB	10/15/02	dr		M.FETROW 4/24/98		74748 A3	
H	M06-0055	MHT	2/01/06	engr		C.PENDLETON 4/24/98		type	
J	M06-0277	MHT	7/22/06	chr		C.PENDLETON 4/24/98		Product Customer Drawing	
sheet index		revision sheet		J					
1		1		1					

Mouser Electronics

Authorized Distributor

Click to View Pricing, Inventory, Delivery & Lifecycle Information:

[FCI / Amphenol:](#)

[74748-101LF](#) [74748-102LF](#)