

THIS DRAWING IS UNPUBLISHED.

RELEASED FOR PUBLICATION

REVISIONS

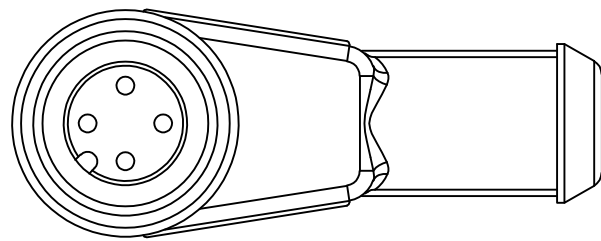
ALL RIGHTS RESERVED.

© COPYRIGHT - By -

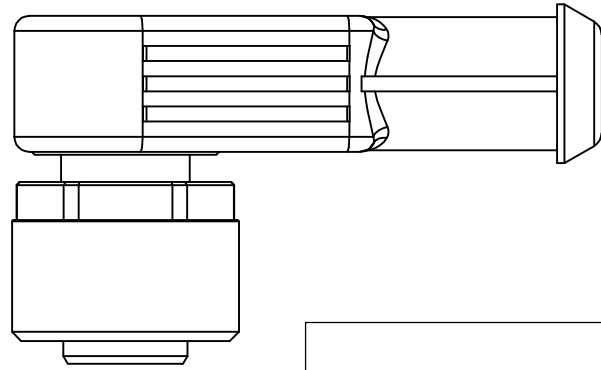
| P | LTR | DESCRIPTION     | DATE      | DWN | APVD |
|---|-----|-----------------|-----------|-----|------|
|   | A   | INITIAL RELEASE | 27NOV2013 | GSK | BvH  |
|   | A1  | ECR-14-015049   | 13OCT2014 | GSK | BvH  |
|   | A2  | ECR-16-003945   | 16MAR2016 | GSK | BvH  |

NOTES:

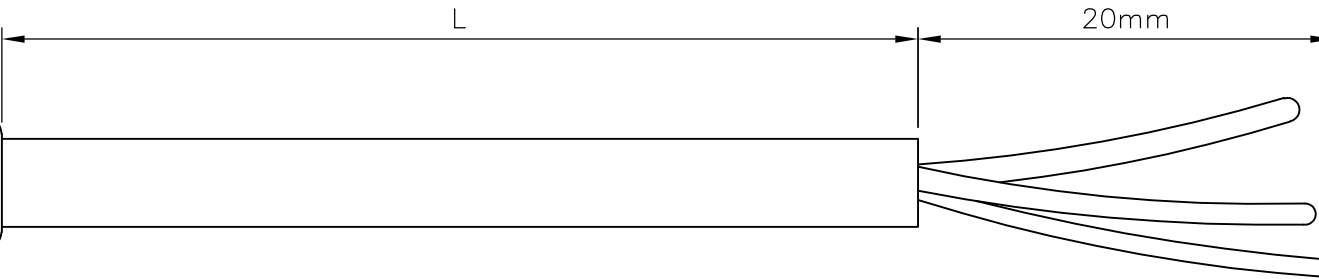
Tolerances cable lengths:  
 0m to 0.5m +30mm  
 0.5m to 1.0m +50mm  
 1.0m to 3.0m +100mm  
 < 3.0m +1.5%



VIEW 'A'

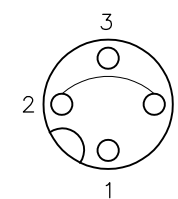


A

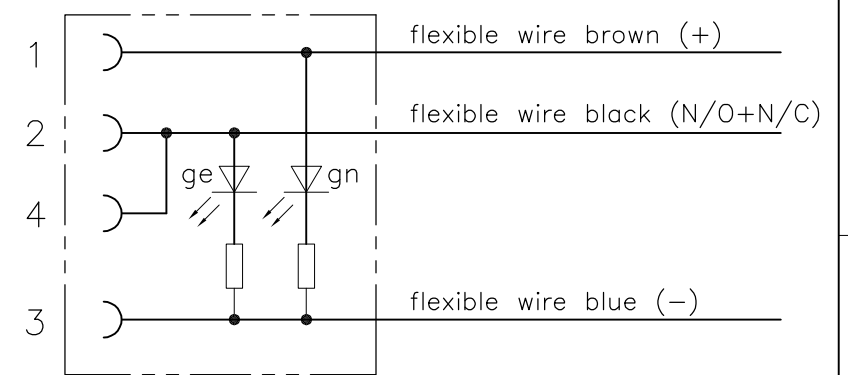


| PVC CABLE                  |                          |
|----------------------------|--------------------------|
| No./diameter of wires      | 3 X 0.34 mm <sup>2</sup> |
| Wire isolation             | PVC (br, bl, bk)         |
| C-track properties         |                          |
| Jacket                     | PVC (UL/CSA)             |
| Outer diameter             | approx. 4.6 mm           |
| Bend radius (moving)       | 10 x outer diameter      |
| Temperature range (fixed)  | -30...+80 °C             |
| Temperature range (mobile) | -5...+80 °C              |

Contact Layout Female



Schematic diagram



| TECHNICAL DATA                |   |
|-------------------------------|---|
| Operating voltage             | 24 V DC ±25 %   |
| Operating current per contact | max. 4 A  |
| Locking of ports              | Screw thread M12 X 1 mm (recommended torque 0.6 Nm) self-securing |
| Protection                    | IP65 and IP67 when plugged and screwed down (EN 60529)            |

| PUR CABLE                  |                          |
|----------------------------|--------------------------|
| No./diameter of wires      | 3 X 0.34 mm <sup>2</sup> |
| Wire isolation             | PP (br, bl, bk)          |
| C-track properties         | 5 million                |
| Jacket                     | PUR (UL/CSA)             |
| Outer diameter             | approx. 4.3 mm           |
| Bend radius (moving)       | 10 x outer diameter      |
| Temperature range (fixed)  | -40...+80 °C             |
| Temperature range (mobile) | -25...+80 °C             |

| LENGTH "L" | MATERIAL | JACKET COLOR | TE PN       | DESCRIPTION       | ITEM |
|------------|----------|--------------|-------------|-------------------|------|
| 3 pos      | PVC      | Black        | 1-2273104-4 | 3x22AWG PVC 10.0m | 8    |
|            |          |              | 1-2273104-3 | 3x22AWG PVC 5.0m  | 7    |
|            |          |              | 1-2273104-2 | 3x22AWG PVC 3.0m  | 6    |
| 3 pos      | PUR      | Black        | 1-2273104-1 | 3x22AWG PVC 1.5m  | 5    |
|            |          |              | 2273104-4   | 3x22AWG PUR 10.0m | 4    |
|            |          |              | 2273104-3   | 3x22AWG PUR 5.0m  | 3    |
|            |          |              | 2273104-2   | 3x22AWG PUR 3.0m  | 2    |
|            |          |              | 2273104-1   | 3x22AWG PUR 1.5m  | 1    |

|  |  |                                   |  |                         |                    |
|--|--|-----------------------------------|--|-------------------------|--------------------|
| THIS DRAWING IS A CONTROLLED DOCUMENT. |  | DWN 27NOV2013<br>SATHISH KUMAR .G | TE Connectivity                              |                         |                    |
|  |  | CHK 27NOV2013<br>B.VELDHOVEN      |  |                         |                    |
|  |  | APVD 27NOV2013<br>A.VAN ZANDVOORT | NAME<br>M12 X 1.0 ANGLED SOCKET PIGT 2 LED A |                         |                    |
| DIMENSIONS: mm                         |  | PRODUCT SPEC<br>108-19483         | SIZE<br>A3                                   |                         |                    |
|  |  | APPLICATION SPEC<br>114-32127     | CAGE CODE<br>00779                           | DRAWING NO<br>C-2273104 | RESTRICTED TO<br>- |
| MATERIAL<br>-                          |  | FINISH<br>-                       | CUSTOMER DRAWING                             |                         | SCALE<br>NTS       |
|  |  |                                   | SHEET<br>1 OF 1                              |                         | REV<br>A2          |

# Mouser Electronics

Authorized Distributor

Click to View Pricing, Inventory, Delivery & Lifecycle Information:

[TE Connectivity:](#)

[2273104-3](#)