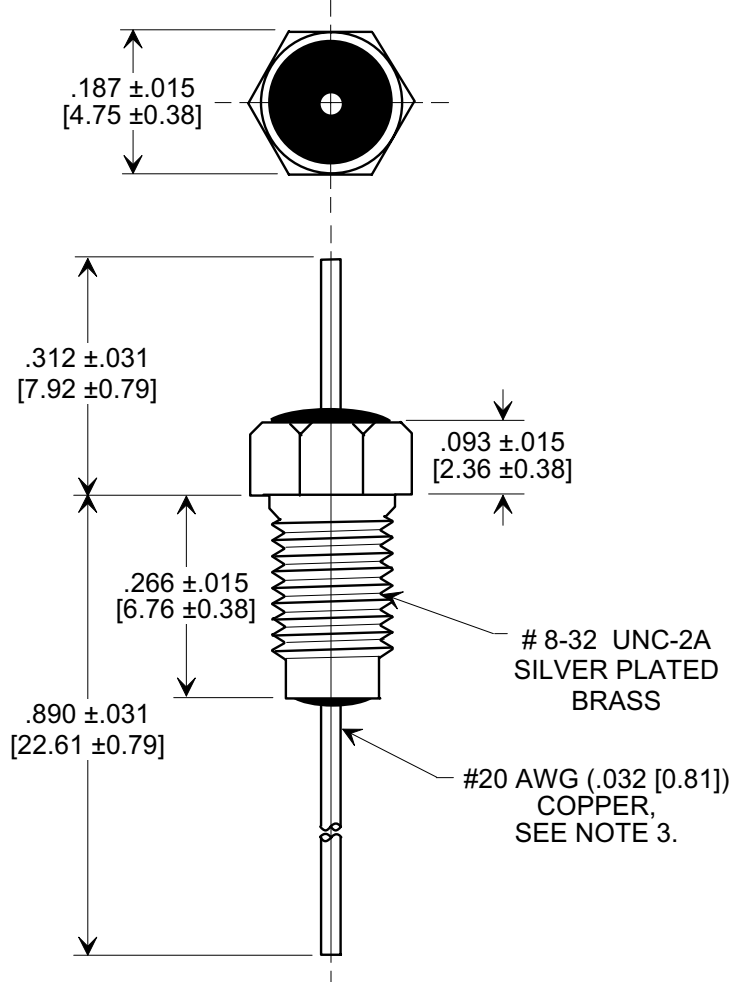
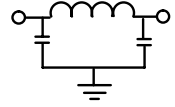
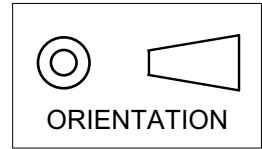


MARKETING SALES DRAWING

DIMENSIONS IN INCHES - DO NOT SCALE THIS DRAWING
DIMENSIONS IN METRIC - []

Electrical Testing
 per Tusonix standard
 test plans and Mil-Std-202
 Test Methods.



NOTES:

1. SUPPLIED WITH SILVER PLATED HEX NUT AND LOCKWASHER.
2. TUSONIX STANDARD PART NUMBER: 4201-050
 TUSONIX RoHS COMPLIANT PART NUMBER: 4201-050 LF.
 CUSTOMER MUST SPECIFY STANDARD OR RoHS PART NUMBER WHEN ORDERING.
3. LEAD FINISH: STANDARD PART #: 60/40 SOLDER PLATED. RoHS PART #: SILVER PLATED.
4. PART MARKING: TRADEMARK AND VARIATION NUMBER ON HEX FLATS.
 STANDARD PART: BLACK INK. RoHS PART: GREEN INK.

MIN. CAP. (pF)	WORKING VOLTAGE (WVdc)		CURRENT (Adc)	I.R. MIN. @ 100 (VDC.)	DWV (VDC)	MINIMUM NO LOAD INSERTION LOSS (dB) AT 25°C PER MIL-STD -220			
	85°C	125°C				10 MHz	100 MHz	1 GHz	10 GHz
5,500	200	100	10	10 G	400	14	55	70	70

X-2015 Rev-0 REVISION RECORD Original Release C.O. 970717-2 ADDED METRIC, DWV, IR & CIRCUIT. S.M. 01-12-04 20040112-2-01 ADDED NOTES. S.M. 07-28-05 20050726-2-27	0	--TOLERANCES-- Unless Otherwise Specified <hr/> DECIMAL ± <hr/> ANGLES ±	Title BUSHING MOUNT PI TYPE EMI FILTER	
	1		Drawn S.M. 07-17-97	Scale 4 X
	2		Approved T.C. 07-17-97	
	TUSONIX TUCSON, ARIZONA		A	4201-050

Mouser Electronics

Authorized Distributor

Click to View Pricing, Inventory, Delivery & Lifecycle Information:

[Tusonix / CTS:](#)

[4201-050LF](#)