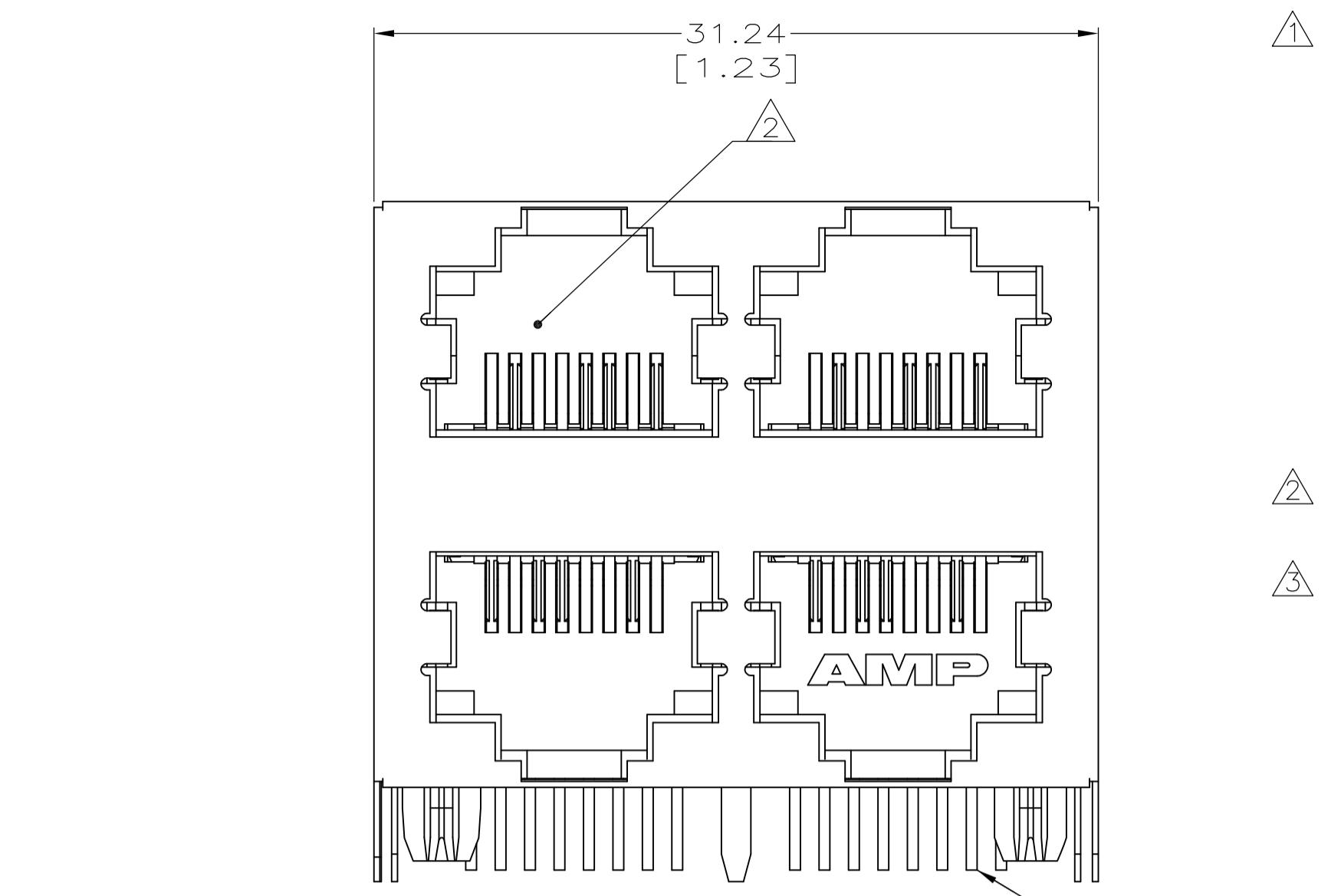
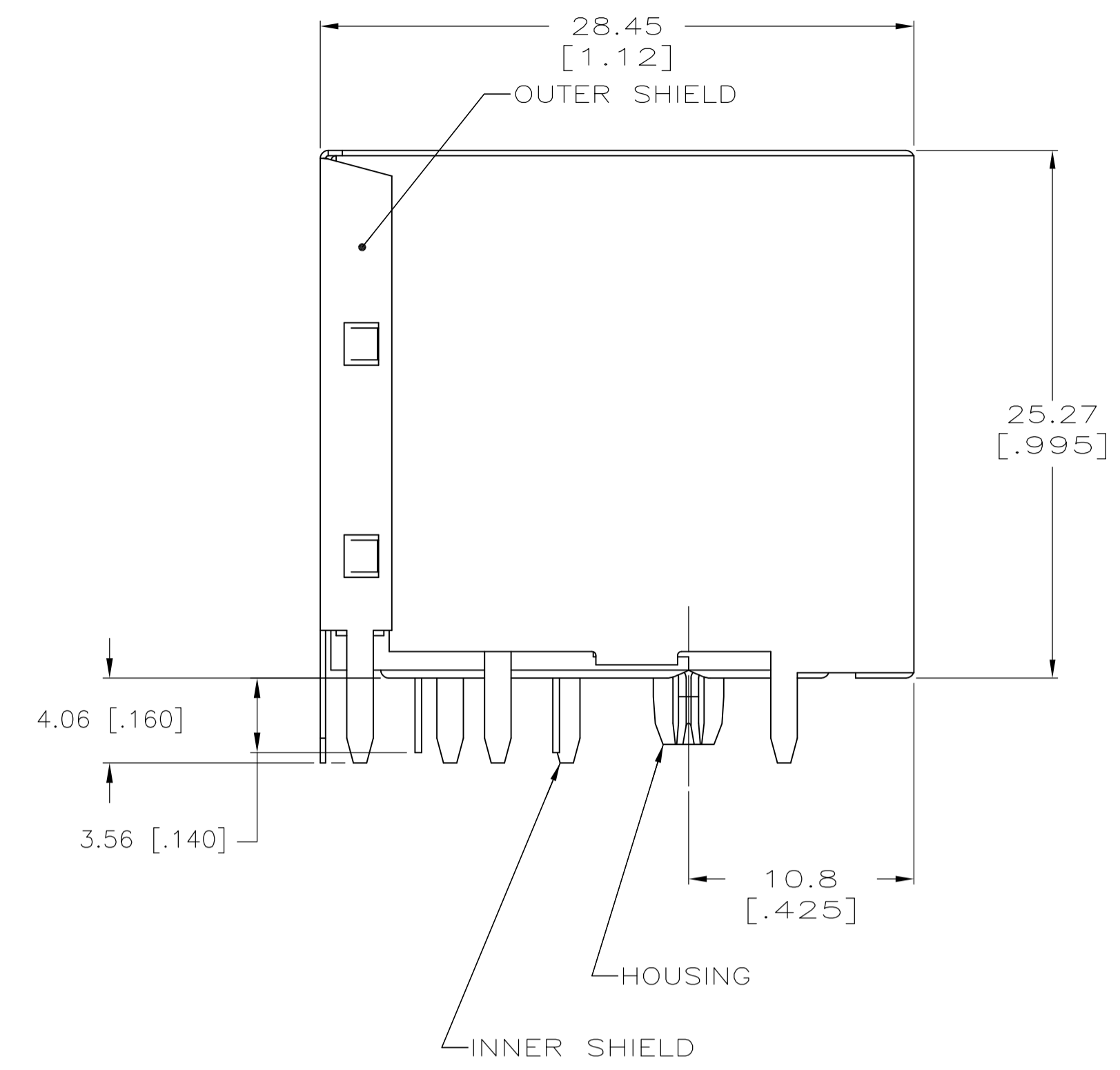
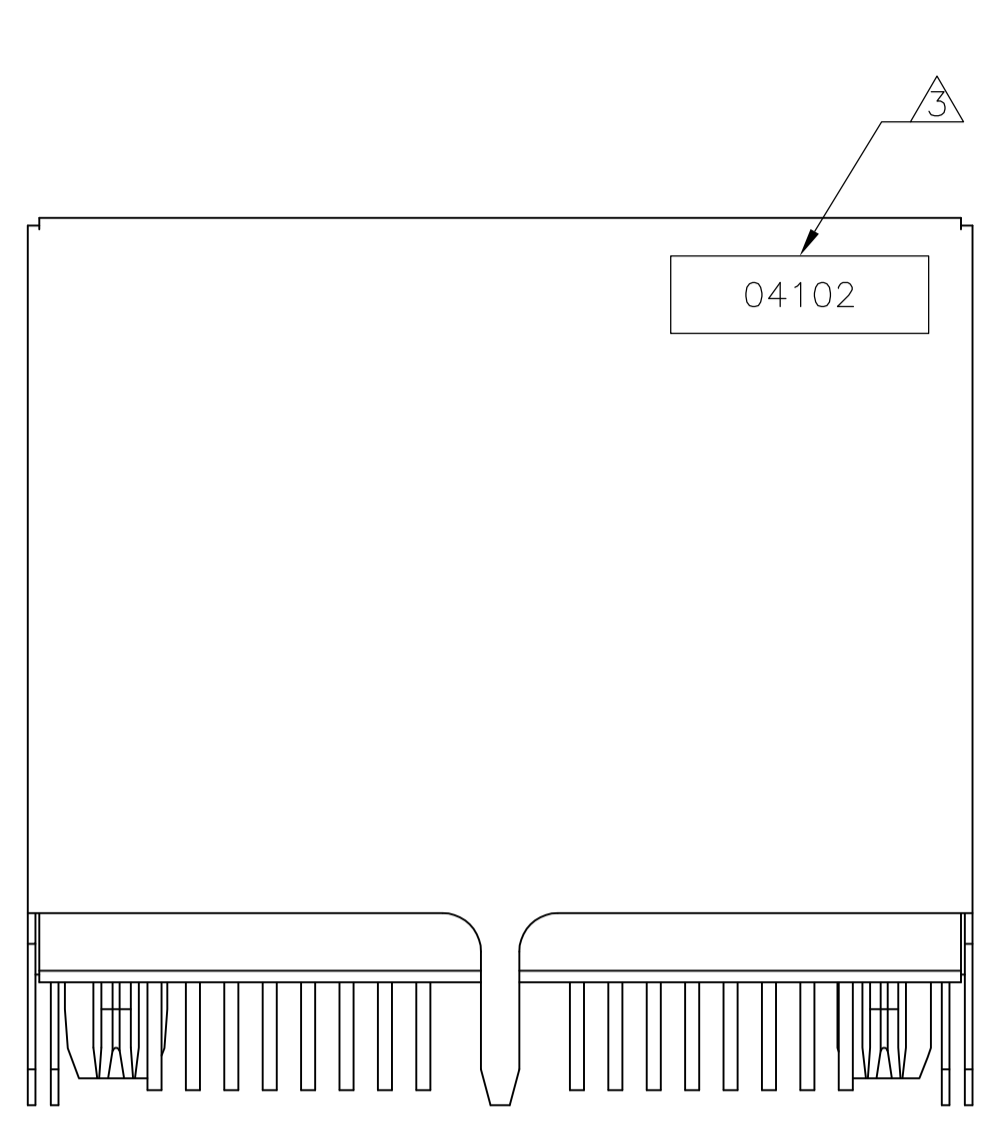


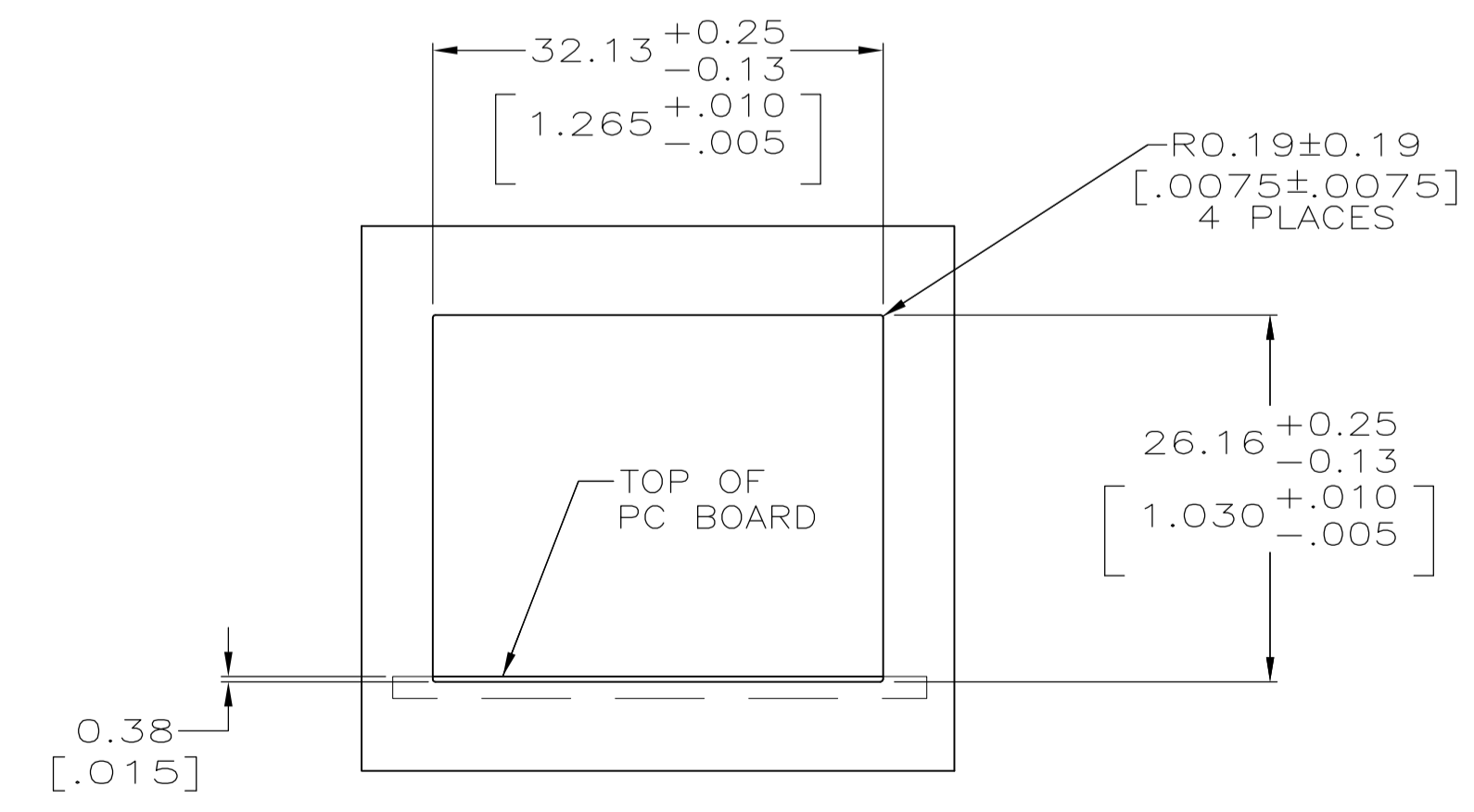
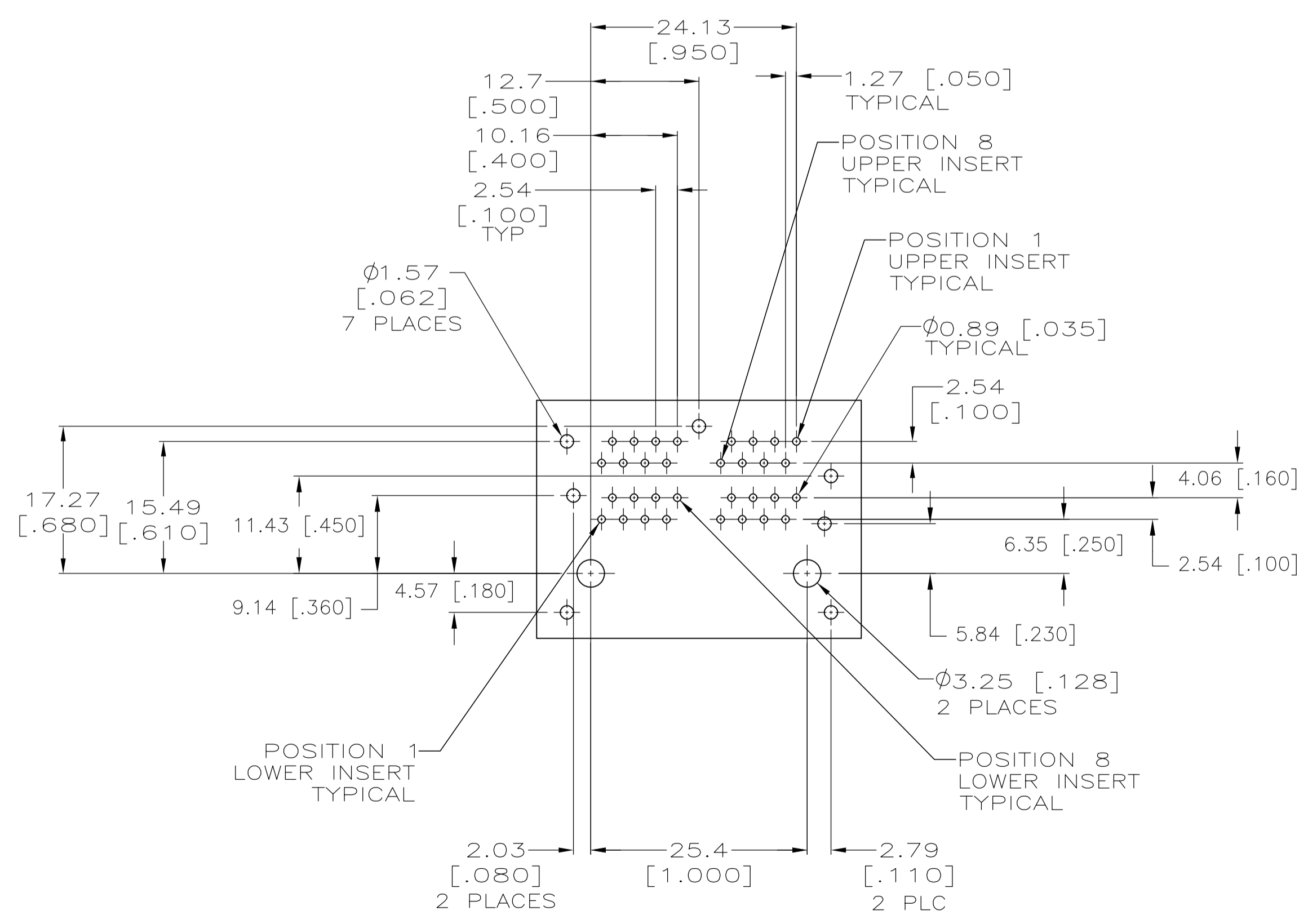
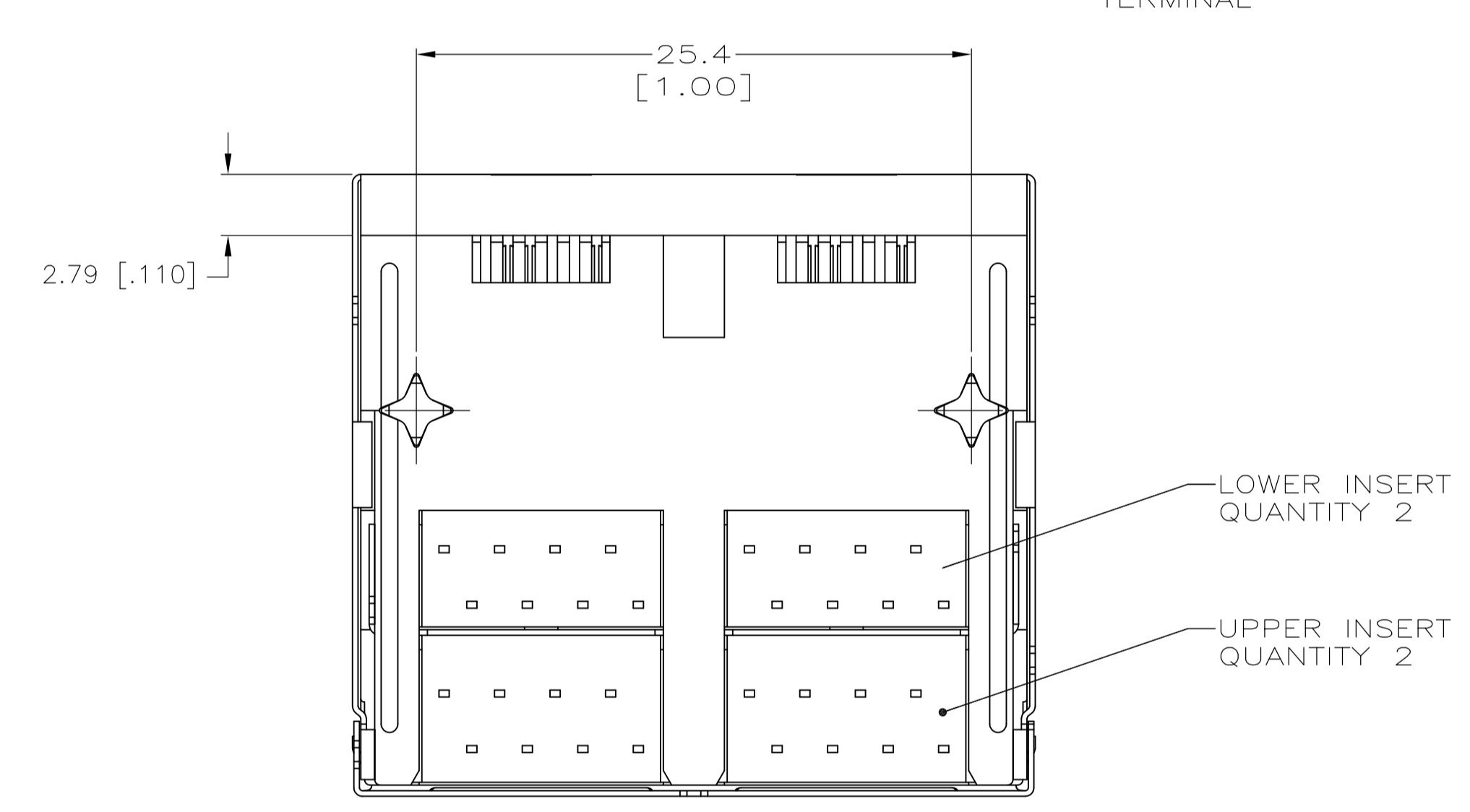
LOC	DIST	REVISIONS			
AA	22	REV	DESCRIPTION	DATE	BY
		A2	REVISED PER ECO-11-005033	29MAR11	RK HMR



MATERIAL:
 HOUSING - PCT POLYESTER, BLACK, UL94V-0.
 OVERMOLDED TERMINAL ARRAY - PBT, BROWN.
 TERMINALS - 0.33 [.013] THICK PHOS BRONZE PLATED WITH 1.27um [.000050] MIN THICK HARD GOLD IN LOCALIZED AREA AND 3.81um [.000150] MIN THICK MATTE TIN IN SOLDER AREA OVER 1.27um [.000050] MIN THICK NICKEL UNDERPLATE.
 SHIELDS - 0.25 [.010] THICK COPPER ALLOY PLATED WITH 1.27 um [.000050] MINIMUM NICKEL AND 2.03 um [.000080] MINIMUM HOT TIN DIP ON PCB GROUND TABS.

JACK CAVITY CONFORMS TO FCC RULES AND REGULATIONS, PART 68 SUBPART F.

DATE CODE LOCATED ON REAR OF PART APPROXIMATELY AS SHOWN:
 FIRST 2 DIGITS ARE LAST 2 DIGITS OF YEAR, SECOND 2 DIGITS ARE MANUFACTURING WORK WEEK, LAST DIGIT IS DAY OF WEEK, WITH SUNDAY = 1.



PC BOARD LAYOUT VIEWED FROM COMPONENT SIDE
SCALE 2:1

SUGGESTED PANEL CUTOUT DIMENSIONS
SCALE 2:1

5569255-1
PART NUMBER

THIS DRAWING IS A CONTROLLED DOCUMENT.		DWG A. FERNANDEZ-DOCK5 14JUN2005	TE Connectivity	
DIMENSIONS: mm [INCHES]		CHK J. WESTMAN 14JUN2005	NAME S. FLICKINGER 14JUN2005	
TOLERANCES UNLESS OTHERWISE SPECIFIED:		PRODUCT SPEC 108-1163-2		
0. PLC ± -		APPLICATION SPEC 114-2048		
1. PLC ± 0.25(.01)		SIZE A1		
2. PLC ± 0.13(.005)		CAGE CODE 00779		
3. PLC ± 0.13(.005)		DRAWING NO. 5569255		
4. PLC ± -		WEIGHT -		
ANGLES ± -		CUSTOMER DRAWING		
MATERIAL		SCALE 4:1		
FINISH		SHEET 1 OF 1		
		REV A2		

Mouser Electronics

Authorized Distributor

Click to View Pricing, Inventory, Delivery & Lifecycle Information:

[TE Connectivity:](#)

[5569255-1](#)