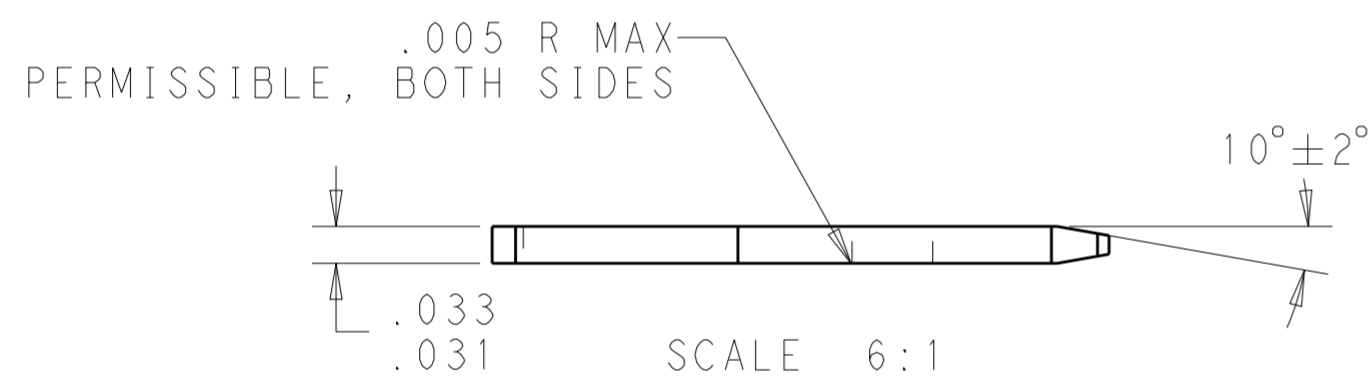
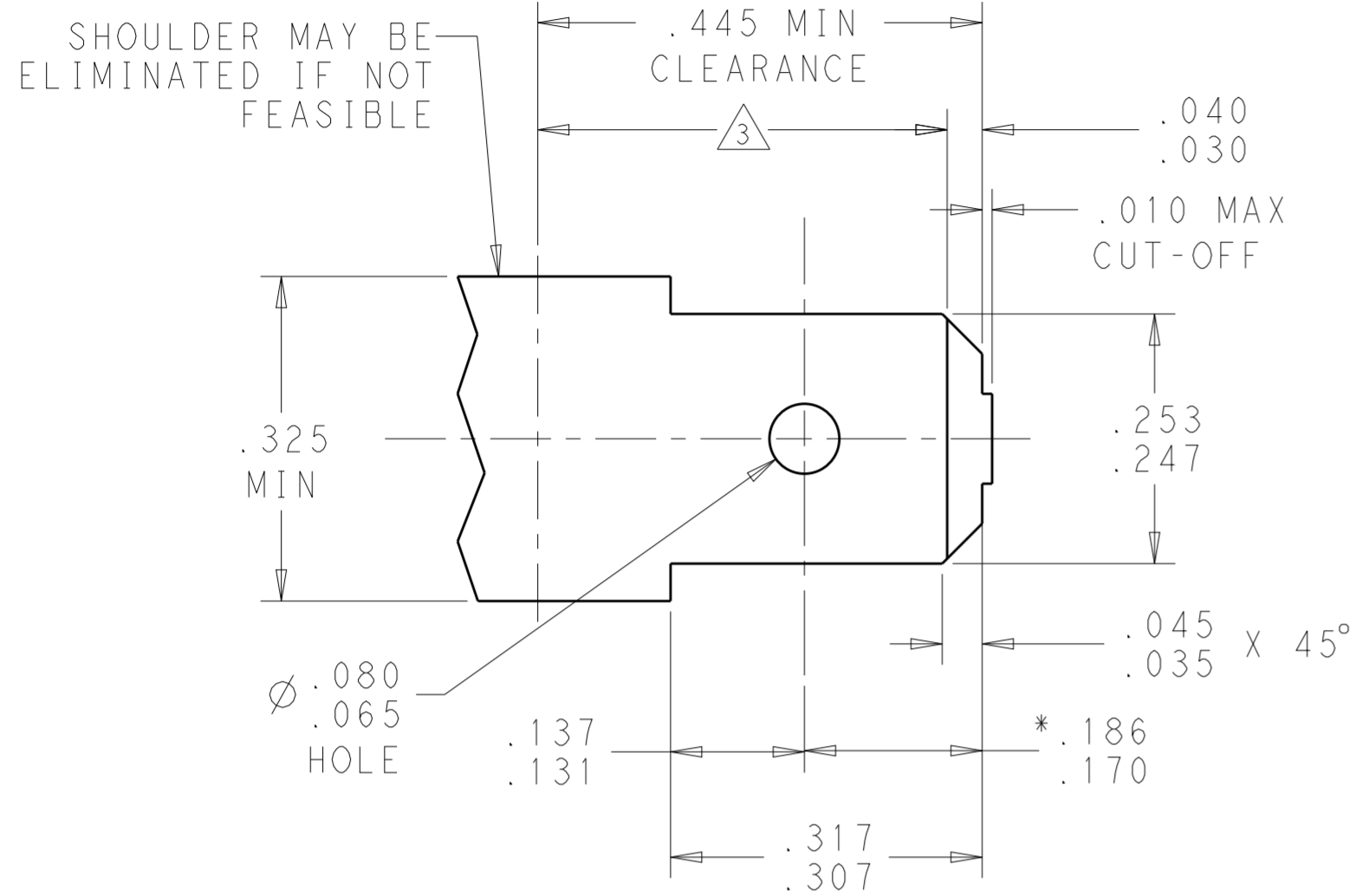
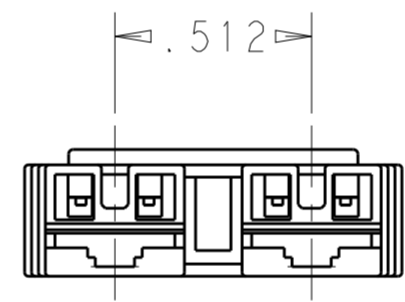
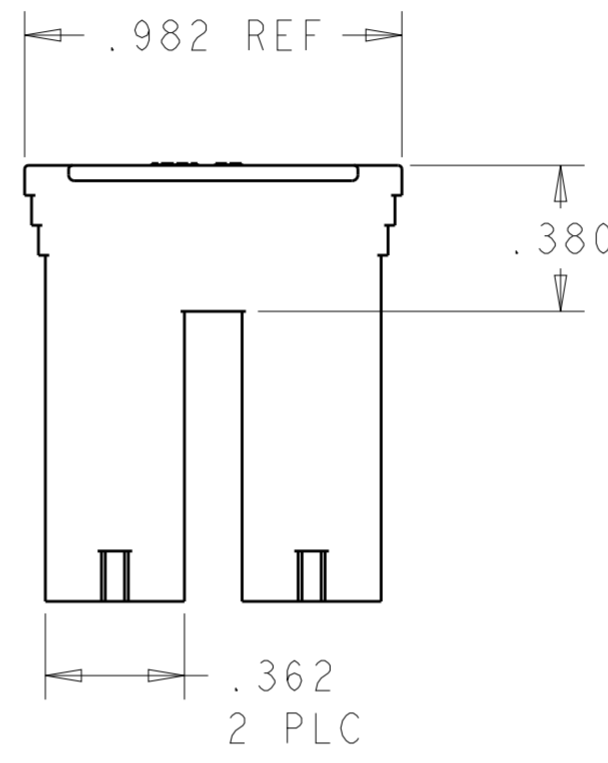
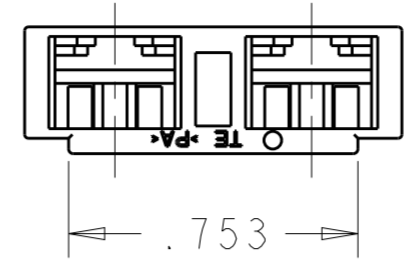


| LOC | | DIST | | REVISIONS | | | |
|-----|-----|-------------|---------------------------|-----------|------|----|--|
| P | LTR | DESCRIPTION | DATE | DWN | APVD | | |
| - | - | A6 | REVISED PER ECR-18-005844 | 17APR2018 | RS | DS | |

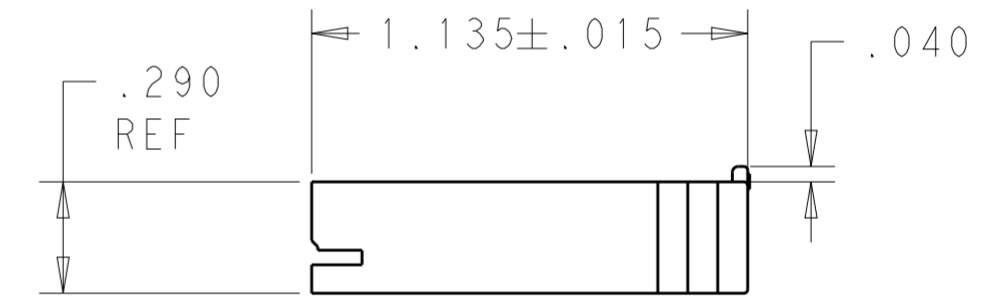
SUGGESTED MATING TAB



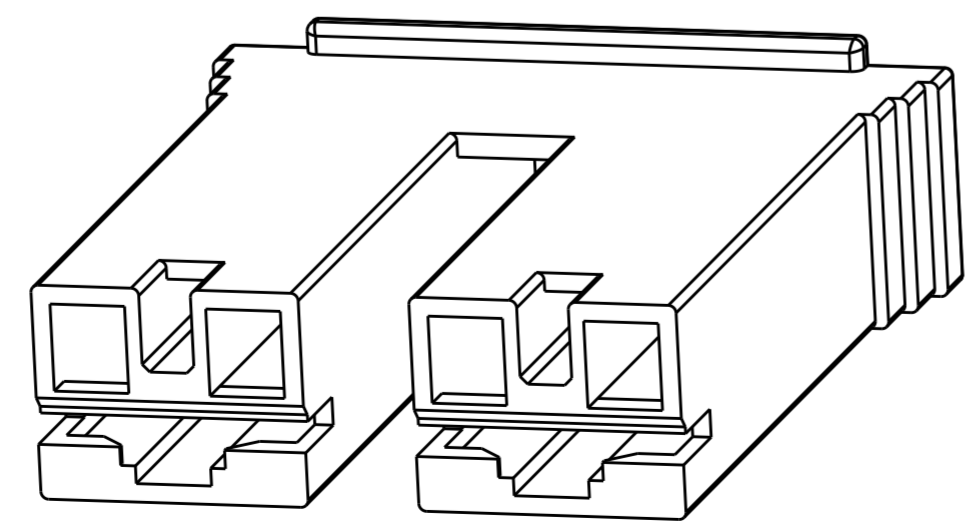
- 1 MATL: 1/2H BRASS OR NICKEL PL STEEL
- 2 NO BURRS PERMISSBLE AT HOLE
- △ MUST BE FLAT WITHIN .003 OVER THIS LENGTH
- 4 TIN PLATING IS REQUIRED ON BRASS WHEN TERMINAL TEMP IS OVER 225° F.
- 5 HOLE MUST BE SYMMETRICAL ABOUT TAB CENTERLINE WITHIN .003
- * TO BE USED ONLY WHEN SHOULDER IS ELIMINATED.



1 FOR USE WITH MKII POSITIVE LOCK, LOW INSERTION FORCE FASTON RECEPTACLES AND MOST BUDGET FASTON RECEPTACLES.



| | | |
|-----------------|---------------------|-------------|
| NATURAL | 66 Nylon V0 Natural | 3-1969453-1 |
| BLACK | 66 NYLON | 1969453-8 |
| YELLOW | 66 NYLON | 1969453-6 |
| BLUE | 66 NYLON | 1969453-5 |
| RED | 66 NYLON | 1-1969453-2 |
| NATURAL | 66 NYLON V0 | 1-1969453-1 |
| NATURAL (WHITE) | 66/6 NYLON V0 | 1969453-1 |
| COLOR | MATERIAL | PART NO. |



THIS DRAWING IS A CONTROLLED DOCUMENT.

DWN: JR RUTH 04AUG11
 CHK: KURT RANDOLPH 04AUG11
 APVD: KURT RANDOLPH 04AUG11

TE Connectivity

NAME: HOUSING, RECPT, POSITIVE-LOCK AND STANDARD FASTON, .250 SERIES MKII

SIZE: A2 CAGE CODE: 200779 DRAWING NO: C-1969453

RESTRICTED TO: A6

SCALE: 8:1 SHEET 1 OF 1 REV: A6

Mouser Electronics

Authorized Distributor

Click to View Pricing, Inventory, Delivery & Lifecycle Information:

[TE Connectivity:](#)

[1969453-1](#)