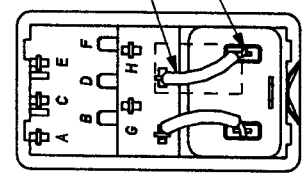
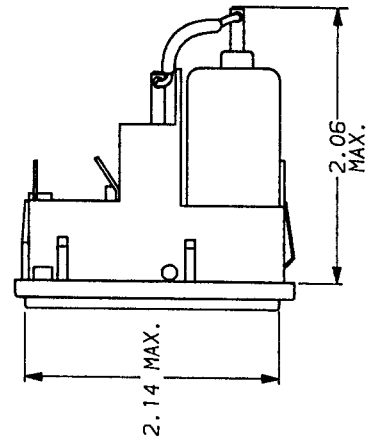
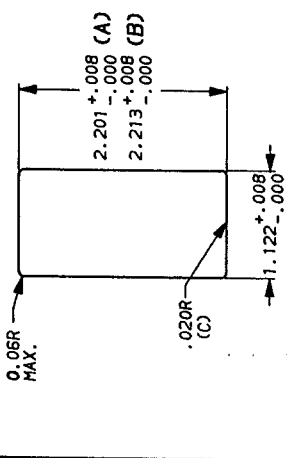


APPROVED BY: *C. West* DATE: 4-30-92 REV: 5

RECOMMENDED PANEL CUTOUT
(NOT TO SCALE)

- NOTES:
 (A) FOR PANEL TH'K. OF .031 --.079
 (B) FOR PANEL TH'K. OF .083 --.126
 (C) FOR SNAP-IN APPLICATION, THE SIDES OF THE CUTOUT MUST HAVE A .020R. ON THE INSTALLATION SIDE.



NOTE: ALL BACKPLATE TERMINALS ARE .110 FASTONS.

SAFETY ORGANIZATION(S).
 THIS FILTER HAS BEEN FORMALLY RECOGNIZED, CERTIFIED OR APPROVED BY THE LISTED AGENCY. THEREFORE, ALL TEST/REQUIREMENTS SPECIFIED IN THE LATEST REVISION OF THE FOLLOWING AGENCY STANDARDS HAVE BEEN MET.

- UL 1283
- CSA 22.2, NO.0,0,4,8
- VDE 565-3, 625
- SEN 432901
- SEV 1055/1P1977/S.1.1

OPERATING SPECIFICATIONS:

- LINE VOLTAGE/CURRENT: 6 AMP., 120/250 VAC
- 6 AMP./40°C, 250 VAC
- 50-60Hz
- LINE FREQUENCY: .25mA @ 120V 60Hz
- MAX. LEAKAGE CURRENT, EACH
- LINE TO GROUND: .40mA @ 250V 50Hz
- OPERATING AMBIENT TEMP. RANGE: -10°C TO +40°C @ RATED CURRENT, I_r
- IN AN AMBIENT, I_o, HIGHER THAN 40°C, THE MAXIMUM OPERATING CURRENT, I_o, IS AS FOLLOWS:

$$I_o = I_r \sqrt{\frac{95-I_a}{45}}$$

- RELIABILITY SPECIFICATIONS:
- STORAGE TEMPERATURE: -25°C TO +40°C
- HUMIDITY: 21 DAYS @ 40°C 95% RH
- CURRENT OVERLOAD TEST: 6 TIMES RATED CURRENT FOR 8 SECONDS

TEST SPECIFICATIONS:

- INDUCTANCE: .27mH NOMINAL
- CAPACITANCE, (MEASURED @ 1 KHz, 0.25 VAC MAX., 25°C ±1°C): .0028µF ±20%
- LINE TO GROUND: .047µF ±20%
- LINE TO LINE: 1.5 MΩ
- DISCHARGE RESISTOR: 6000 MΩ (MIN) AT 100 VDC
- LINE/GROUND AND LINE/LINE: 20°C AND 50% RH
- INSULATION RESISTANCE (M/O DISCHARGE RESISTOR)

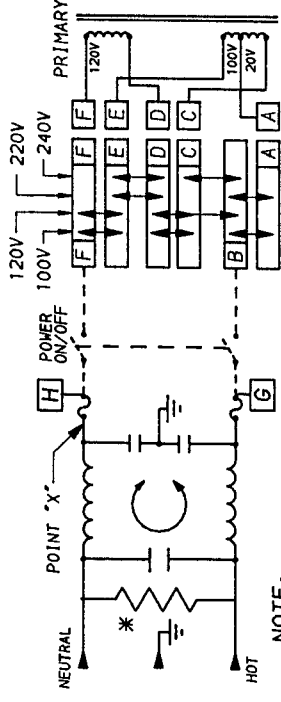
RECOMMENDED RECEIVING INSPECTION HIPOUT.

- 2250 VDC FOR 1 MINUTE
- 1450 VDC FOR 1 MINUTE

FILTER APPROVAL:
 THE BEST WAY TO SELECT AND QUALIFY A FILTER IS FOR YOUR ENGINEERING TO TEST THE UNIT IN YOUR EQUIPMENT.

50Ω - 50Ω (MINIMUM) INSERTION LOSS	
FREQUENCY MHz	COMMON
.05	1
.15	6
.50	13
1.0	17
3.0	26
5.0	31
10	37
30	45
45	45
50	45

This document is proprietary to CORCOM INC. and is not to be reproduced nor used for manufacturing purposes except on CORCOM's order or prior written consent.



- NOTE:
 1.) PROVISION FOR DUAL EUROPEAN STYLE FUSING 6EDL4CM ONLY.
 2.) 6EDL4C CONNECT JUMPER OR SWITCH FROM POINT X TO F AND FROM G TO B.

TOLERANCE EXCEPT AS NOTED
 DECIMAL: .XXX .XX .X ANGLES ± 1°
 ENGLISH: ±.025
 METRIC: ±



MATERIAL: AS SUPPLIED

POWER LINE FILTER

SCALE	DATE	DRG. NO.	REV.
NTS	2-9-87	6EDL4C & 6EDL4CH	5
DRP. BY	DESIGNATOR		
LJD	CFW		

*RESISTOR ADDED TO PRODUCT BUILT AFTER 3-30-92 (9212).

Mouser Electronics

Authorized Distributor

Click to View Pricing, Inventory, Delivery & Lifecycle Information:

[TE Connectivity:](#)

[6EDL4C](#)