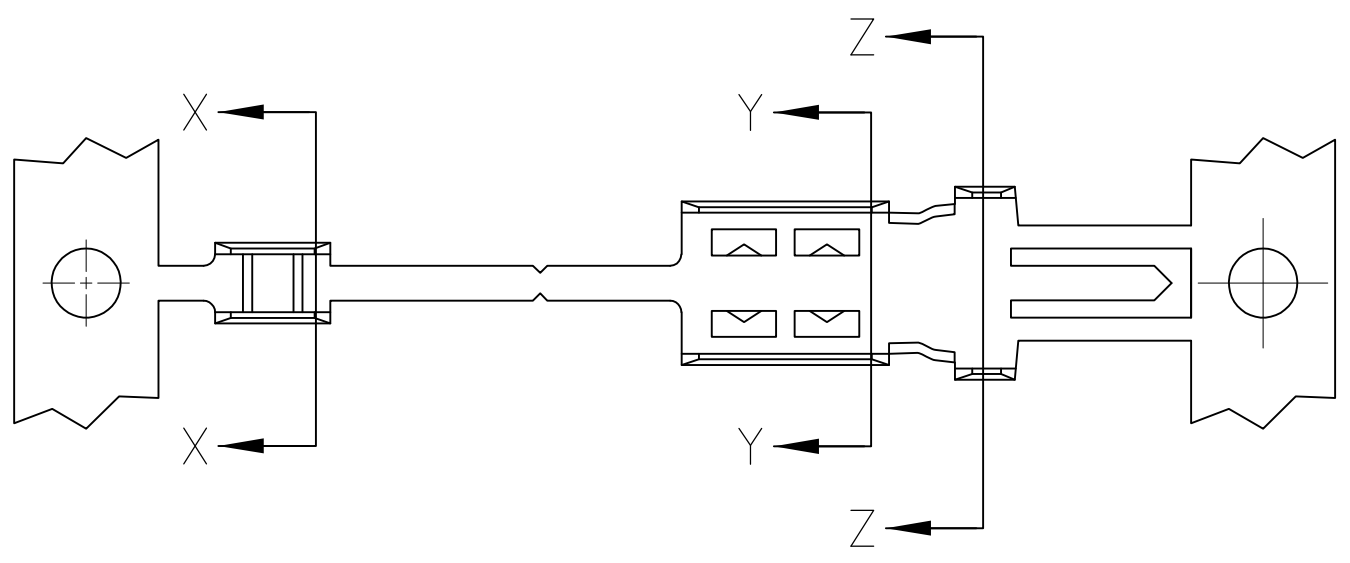
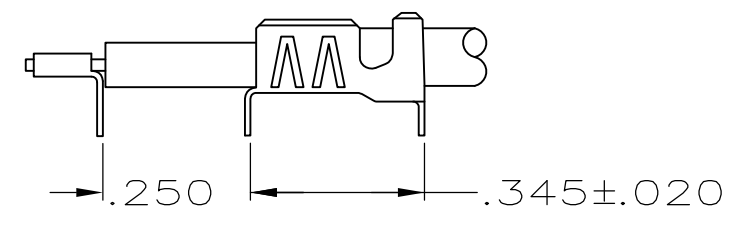
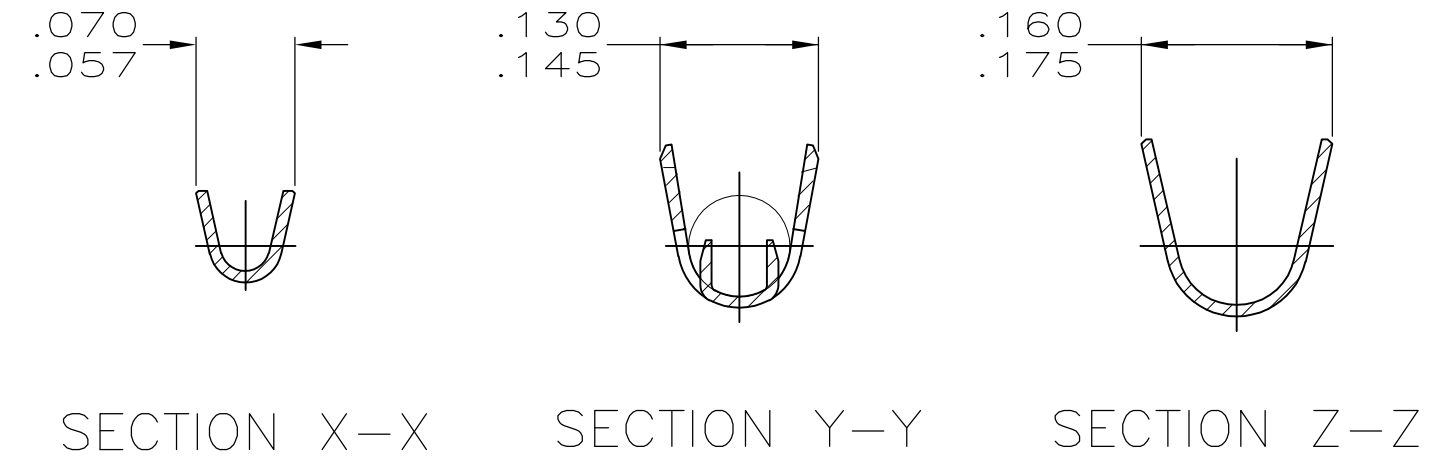
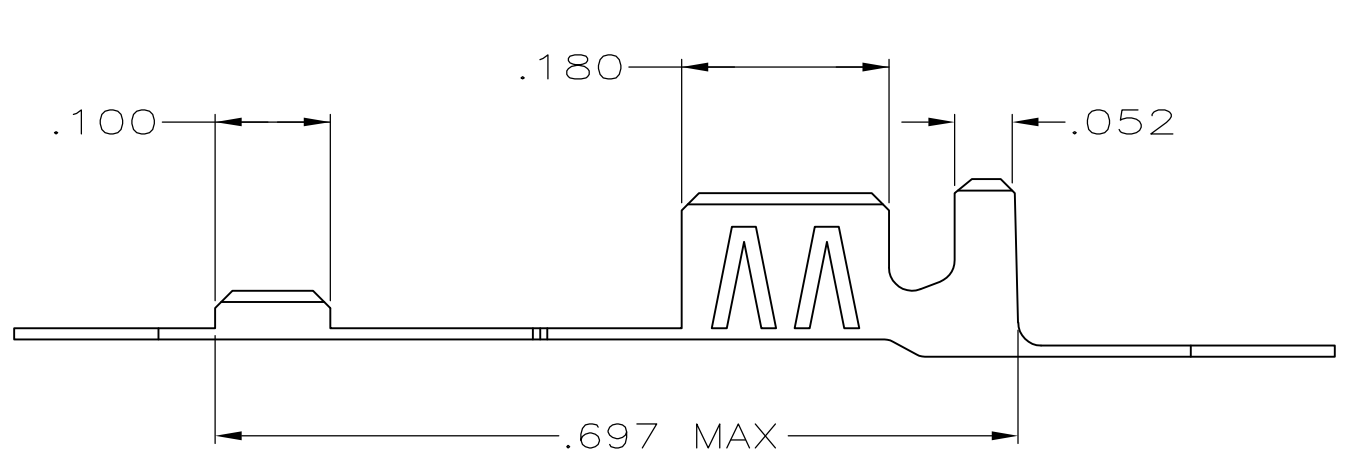


THIS DRAWING IS UNPUBLISHED. RELEASED FOR PUBLICATION
 © COPYRIGHT - By - ALL RIGHTS RESERVED.

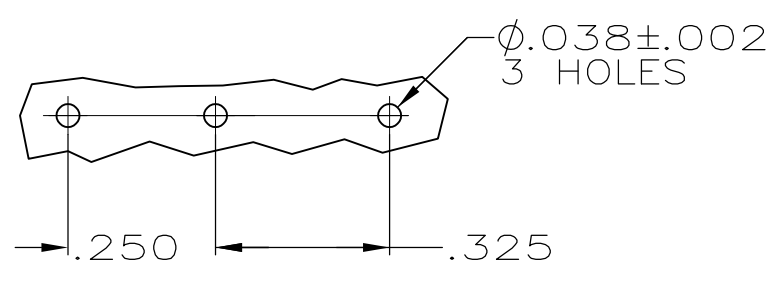
LOC	DIST	REVISIONS					
AJ	16	P	LTR	DESCRIPTION	DATE	DWN	APVD
		L1		REVISED PER ECO-11-005030	11MAR11	RK	HMR



- ACCEPTS COAX CABLE WITH .095-.110 O.D. JACKETS, .055-.065 DIELECTRIC O.D., AND #26-#28 CENTER CONDUCTOR.
- TIN-LEAD PLATE PER MIL-P-81728 OVER NICKEL PLATE PER QQ-N-290.
- TIN PLATE PER ASTM B 545 OVER NICKEL PLATE PER QQ-N-290.
- INSTRUCTION SHEET NO.: 408-2472-2.



3	9-226177-0
2	226177-2
FINISH	PART NUMBER



P.C. BOARD LAYOUT

THIS DRAWING IS A CONTROLLED DOCUMENT.		DWN M. O'BRINE 18FEB00	STE TE Connectivity	
DIMENSIONS: INCHES		CHK J. LIPPERT 18FEB00		
TOLERANCES UNLESS OTHERWISE SPECIFIED:		APVD J. LIPPERT 18FEB00	NAME	
0 PLC ± -		PRODUCT SPEC	TERMINAL, PCB, COAXIAL, BRAID-PIC	
1 PLC ± -		APPLICATION SPEC	SIZE	CAGE CODE
2 PLC ± -		WEIGHT	A3	00779
3 PLC ± .008		CUSTOMER DRAWING	DRAWING NO	C-226177
4 PLC ± -		SCALE	6:1	SHEET 1 OF 1
ANGLES ± -		RESTRICTED TO	REV L1	
FINISH -				

Mouser Electronics

Authorized Distributor

Click to View Pricing, Inventory, Delivery & Lifecycle Information:

[TE Connectivity:](#)

[9-226177-0](#)