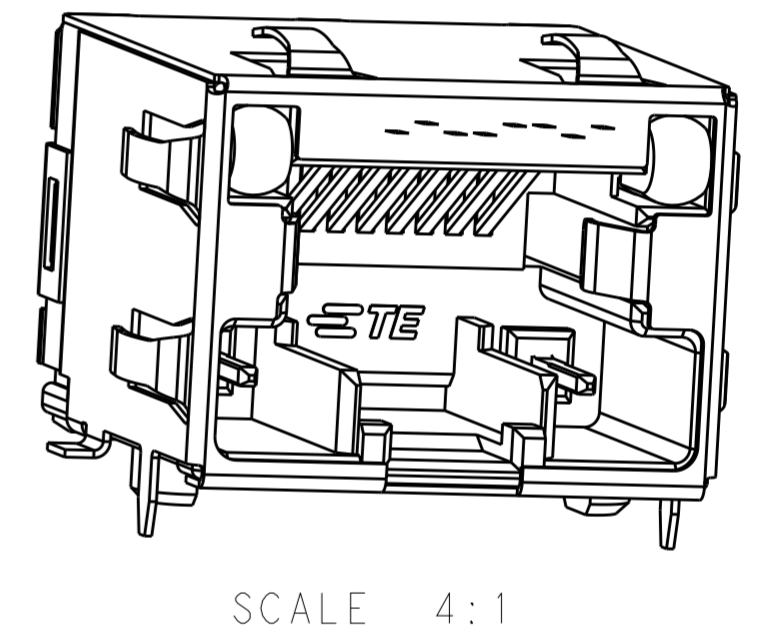
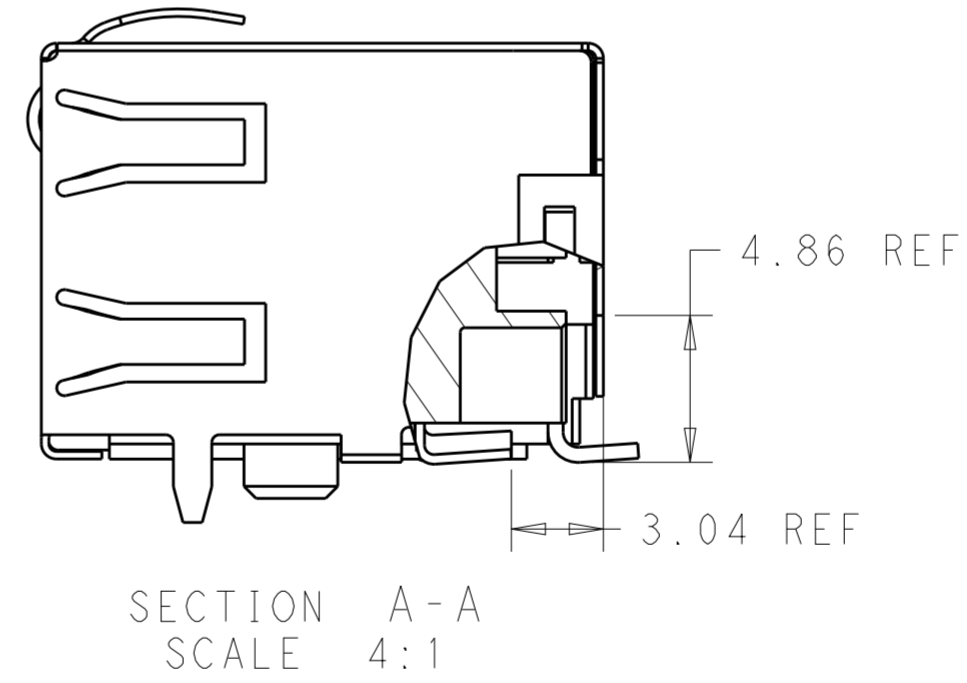
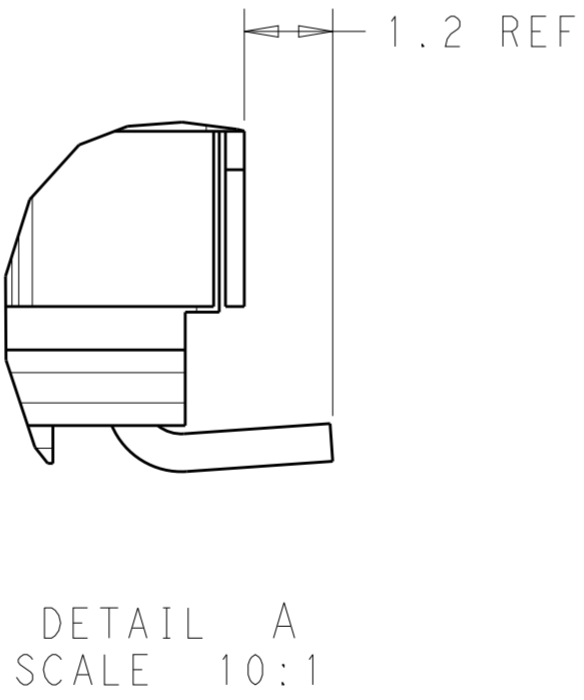
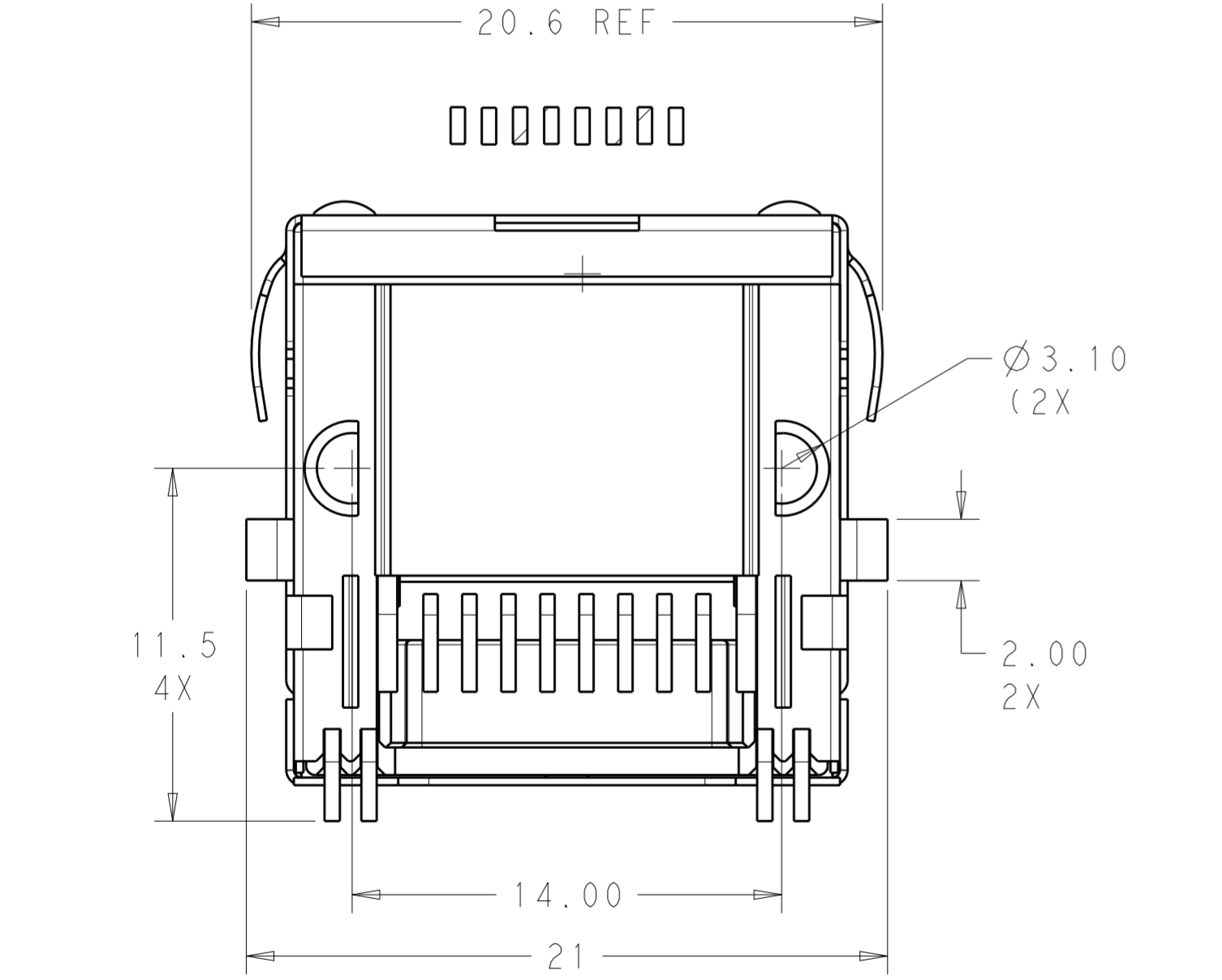
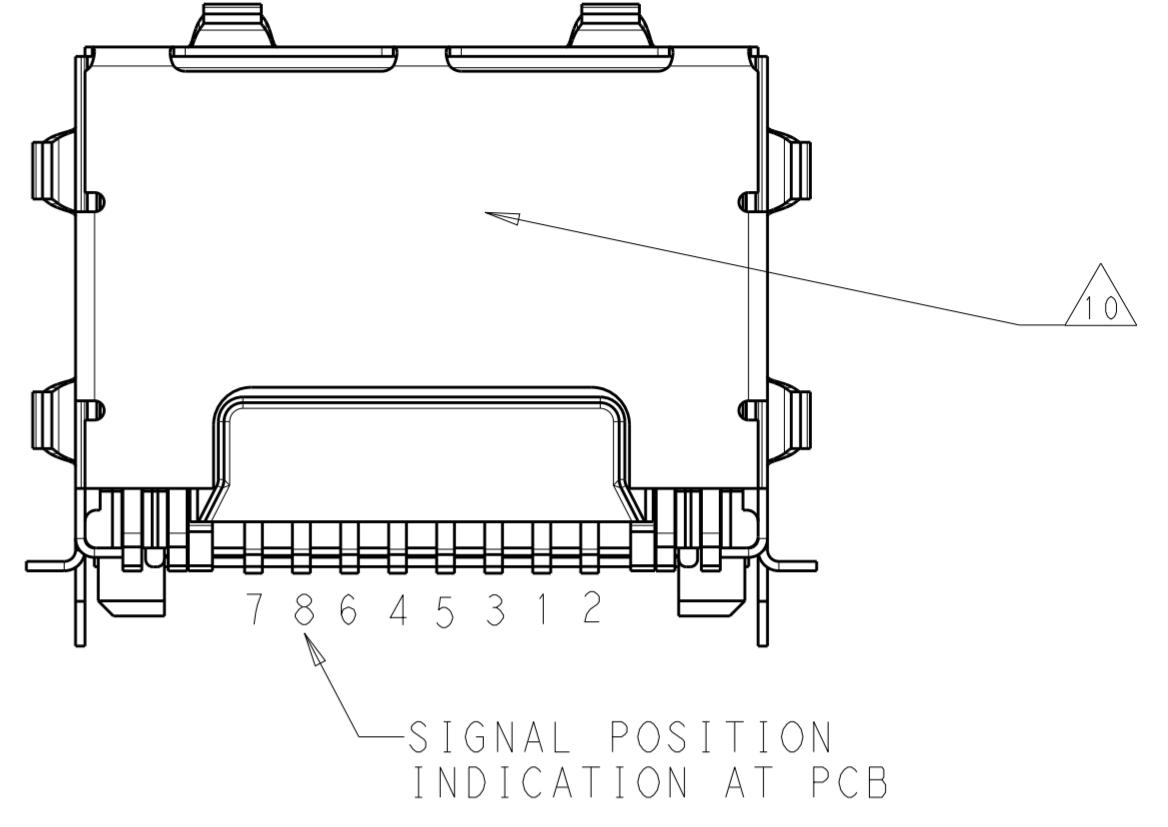
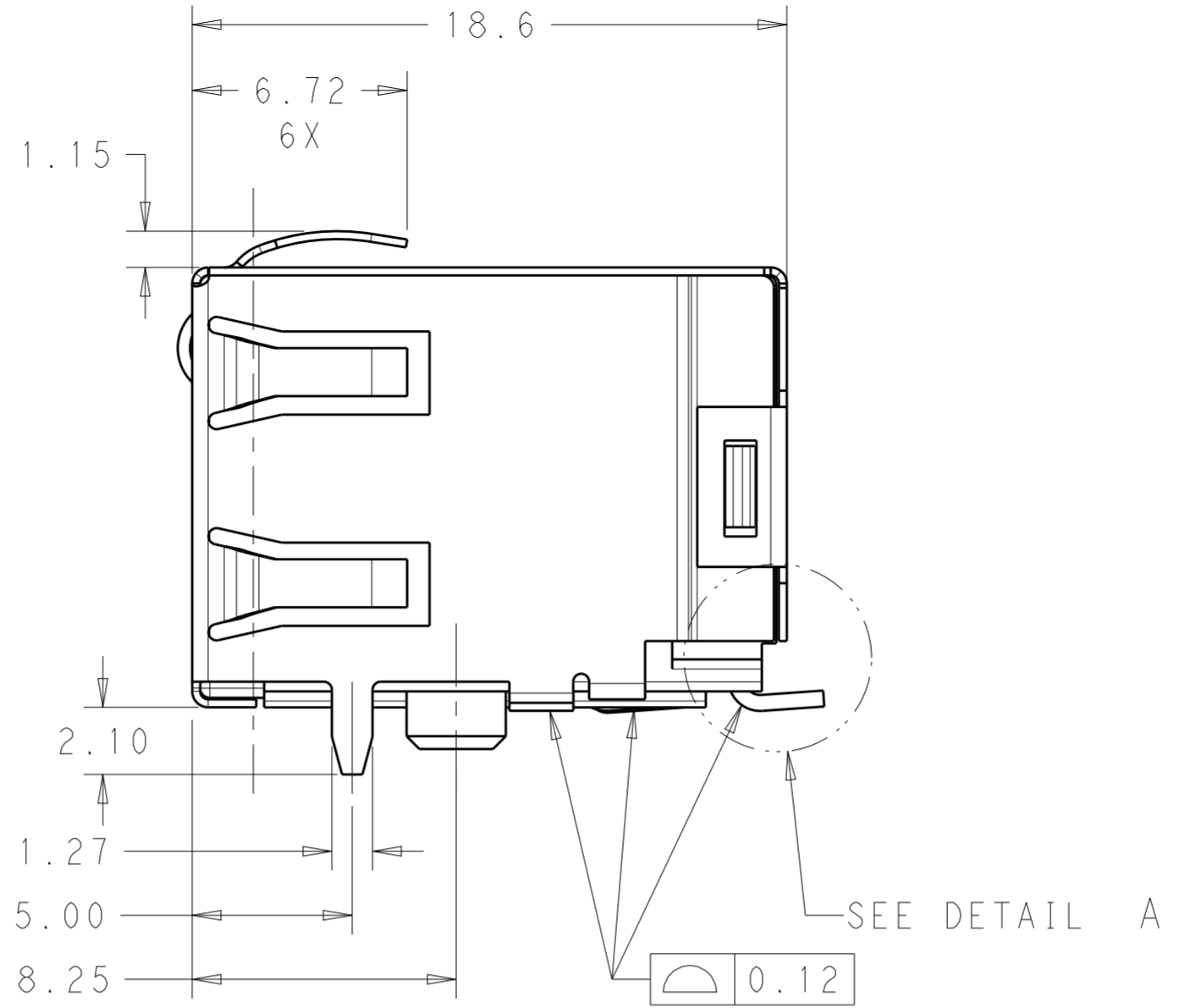
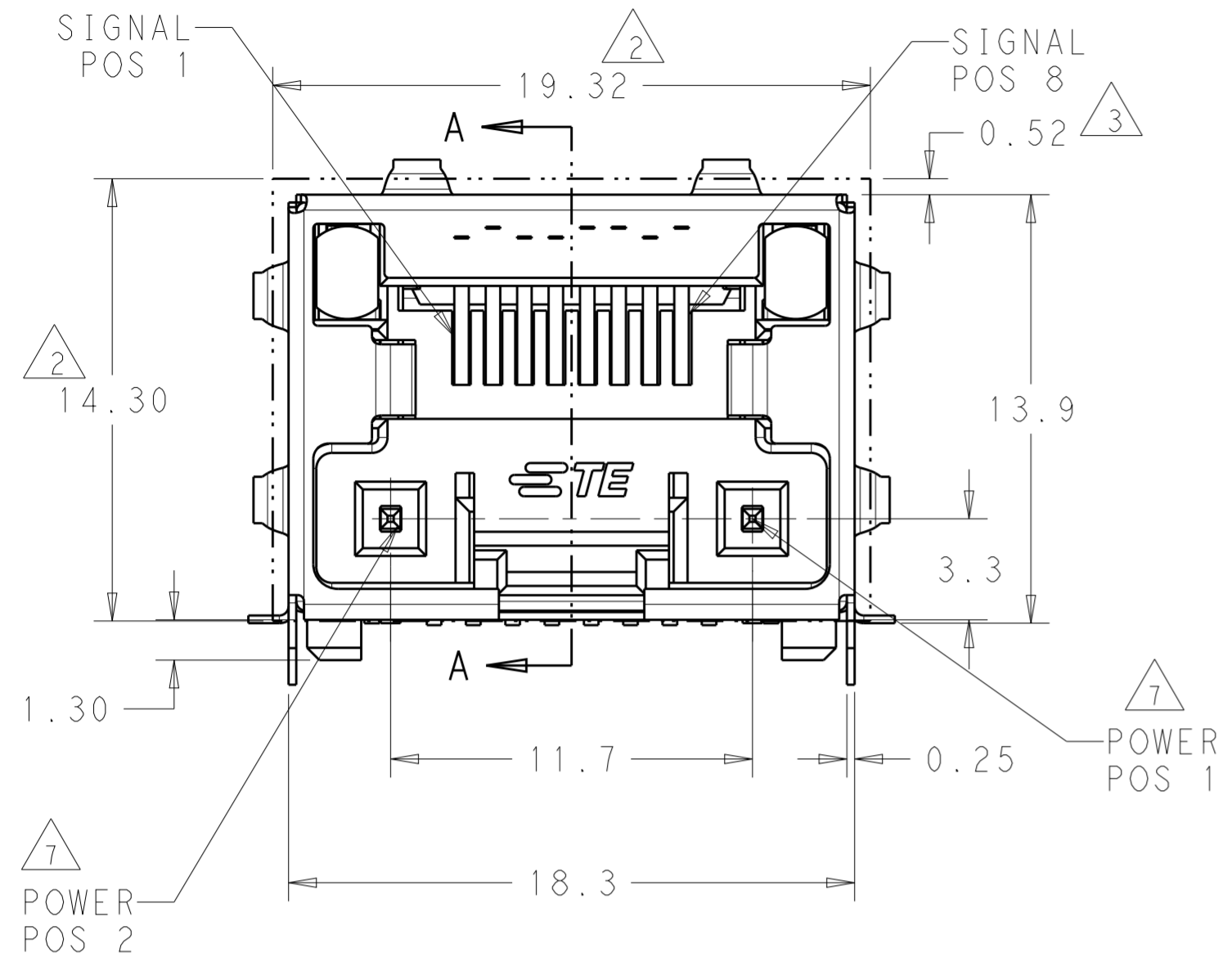


THIS DRAWING IS UNPUBLISHED. RELEASED FOR PUBLICATION 2012  
 © COPYRIGHT 2012 Tyco Electronics AMP GmbH ALL RIGHTS RESERVED.

LOC	DIST	REVISIONS			
P	LTR	DESCRIPTION	DATE	DWN	APVD
AI	-				
	11	GENERAL UPDATE	01NOV2013	MM	MM
	12	DRAWING UPDATED	19JUN2015	RS	DD

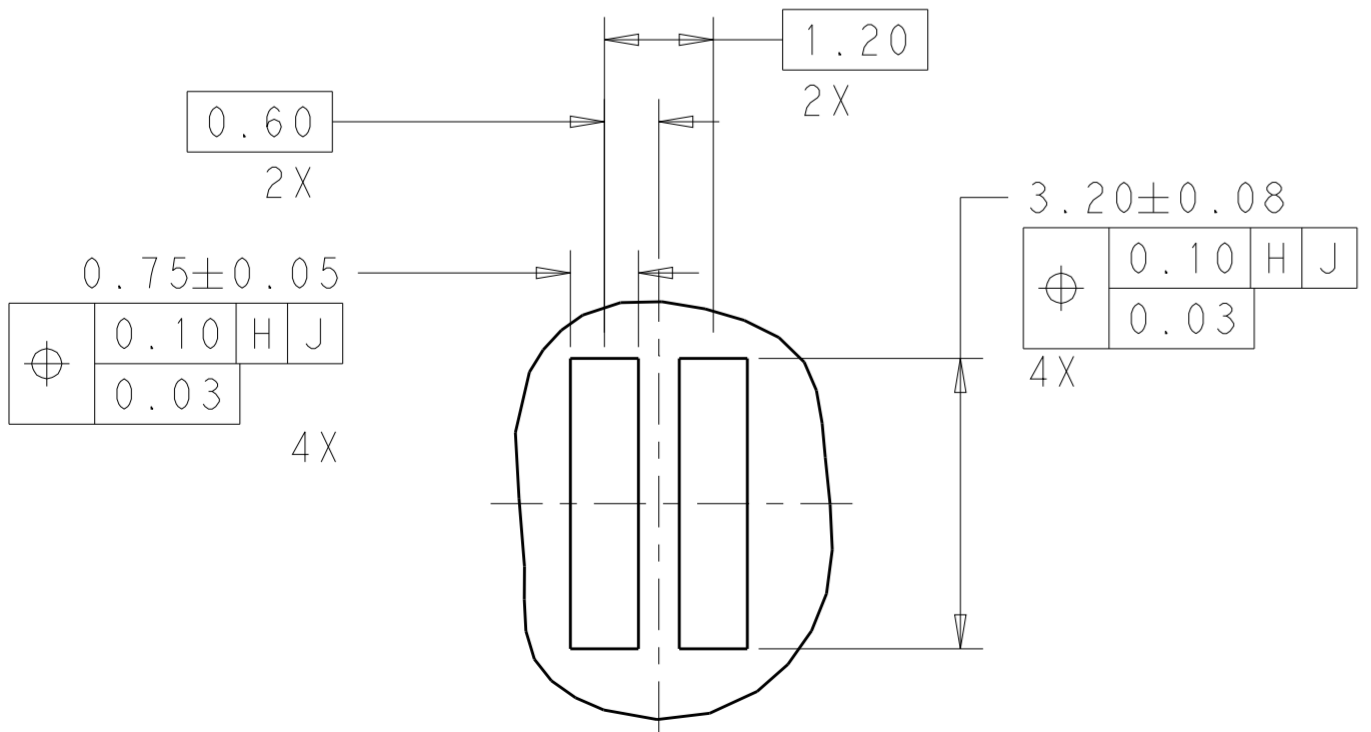
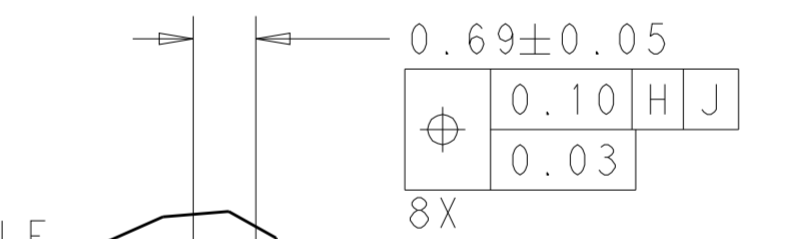
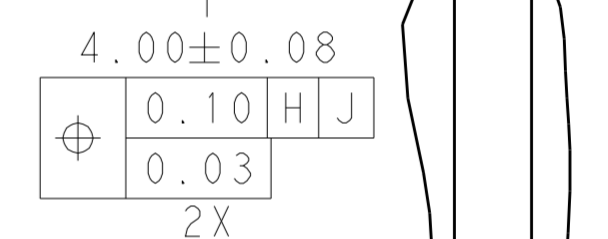
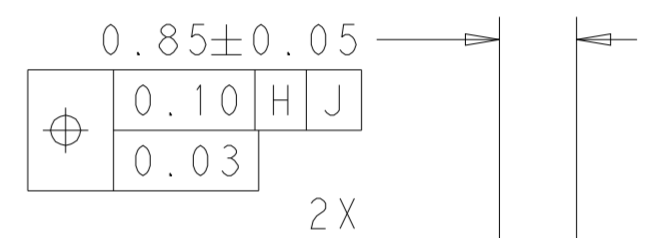
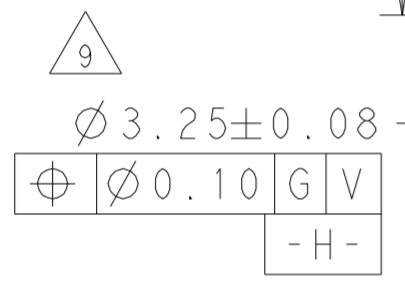
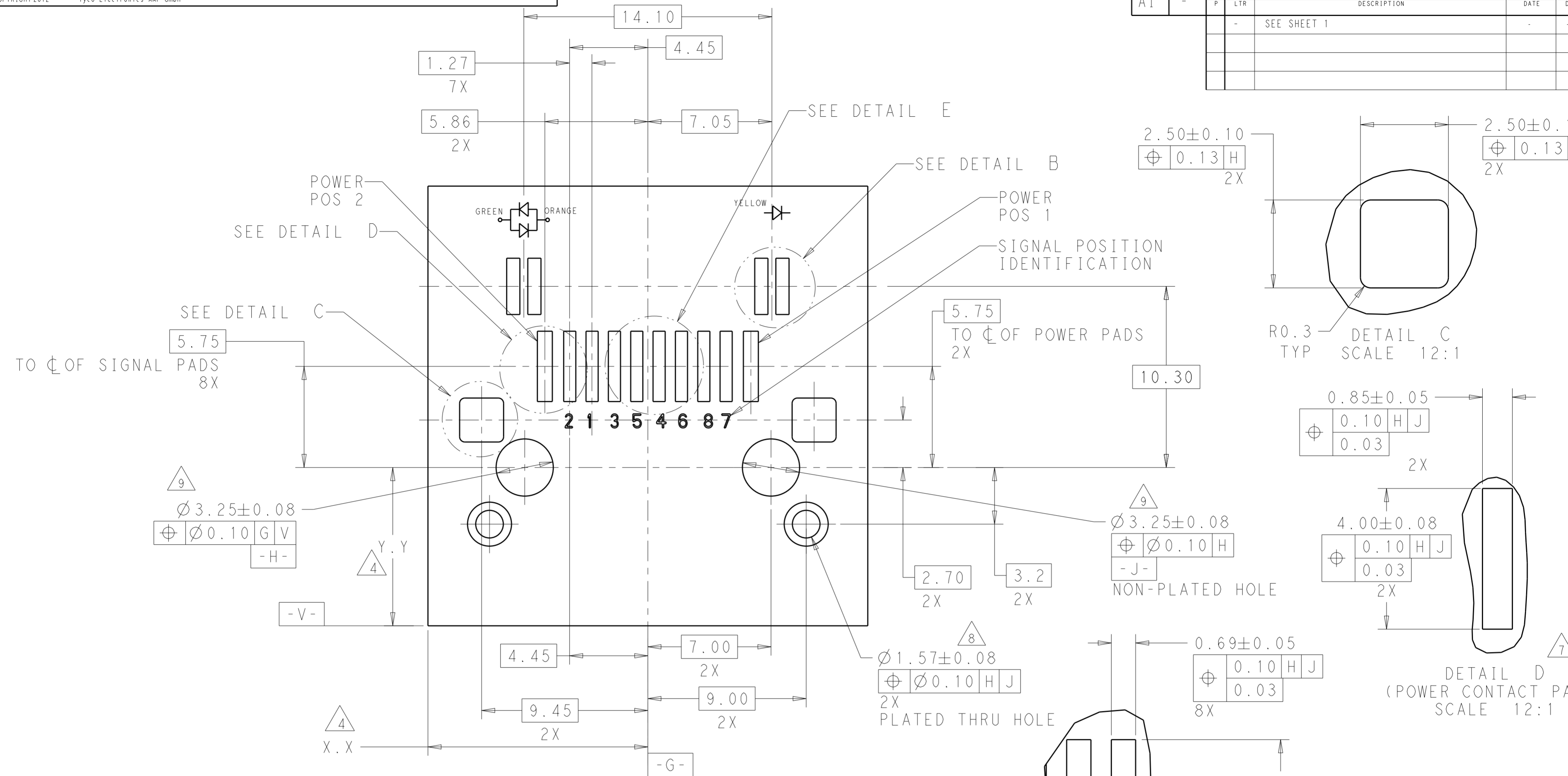


COPLANARITY AT HEALS OF LED, POWER, DATA AND SHIELD CONTACT (16X)

DESCRIPTION	PART NUMBER
JACK ASSEMBLY W/O POWER CONTACTS	2178126-2
JACK ASSEMBLY W/POWER CONTACTS	2178126-1

THIS DRAWING IS A CONTROLLED DOCUMENT.		DWN: Vivian 04APR2012	TE Connectivity	
DIMENSIONS: mm		CHK: Premjith 04APR2012	NAME: JACK ASSEMBLY CLOUDSPLITTER SMT	
TOLERANCES UNLESS OTHERWISE SPECIFIED:		APVD: -	PRODUCT SPEC: 108-64022	
0 PLC ±0.3		APPLICATION SPEC: 114-32051		
1 PLC ±0.25		WEIGHT: -		
2 PLC ±0.13		SIZE: A200779		
3 PLC ±		CAGE CODE: C-2178126		
4 PLC ±		DRAWING NO: -		
ANGLES ±1°		RESTRICTED TO: -		
FINISH		SCALE: 8:1		
MATERIAL: -		SHEET: 1 OF 3		
Customer Drawing		REV: 12		

LOC	DIST	REVISIONS			
P	LTR	DESCRIPTION	DATE	DWN	APVD
AI	-	SEE SHEET 1	-	-	-



DETAIL B  
SCALE 12:1

DETAIL E  
(SIGNAL CONTACT PADS)  
SCALE 12:1

DETAIL D  
(POWER CONTACT PADS)  
SCALE 12:1

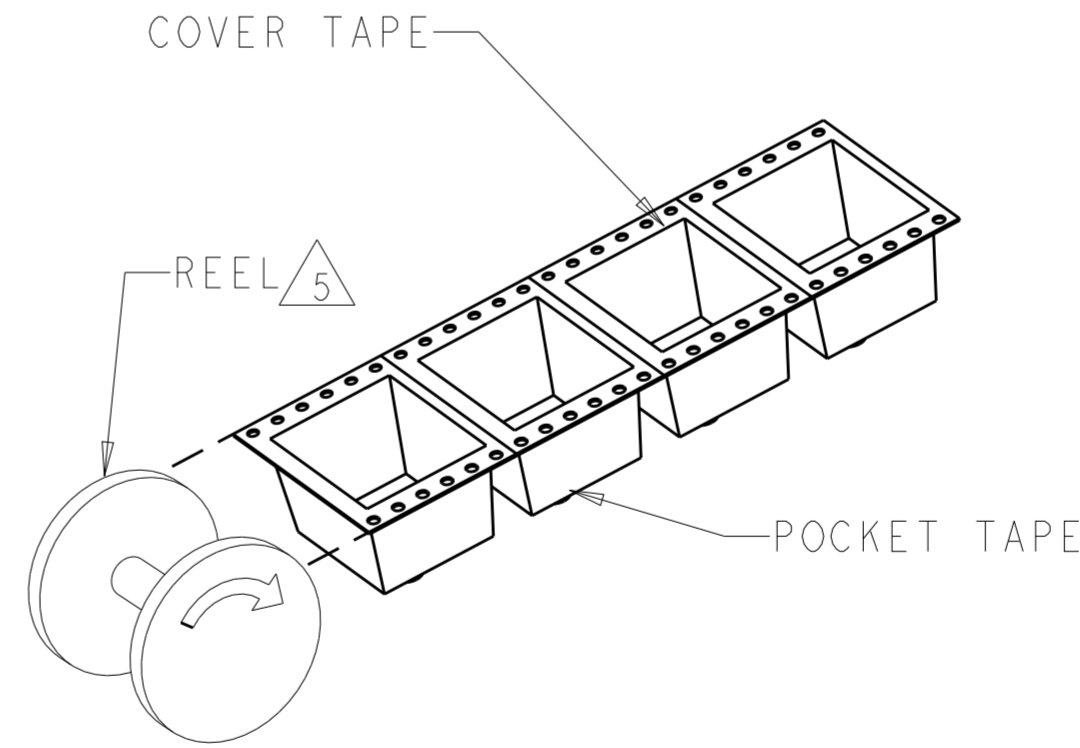
RECOMMENDED PCB LAYOUT

THIS DRAWING IS A CONTROLLED DOCUMENT.		DWN Vivin 04APR2012	TE Connectivity	
		CHK Premjith 04APR2012		
DIMENSIONS: mm		APVD -	NAME JACK ASSEMBLY CLOUDSPLITTER SMT	
TOLERANCES UNLESS OTHERWISE SPECIFIED:		PRODUCT SPEC 108-64022	SIZE CAGE CODE DRAWING NO RESTRICTED TO	
0 PLC ±0.3	1 PLC ±0.25	APPLICATION SPEC 114-32051	A200779	C-2178126
2 PLC ±0.13	3 PLC ±	WEIGHT -	SCALE 8:1 SHEET 2 OF 3 REV 12	
4 PLC ±	ANGLES ±1°	Customer Drawing		
MATERIAL FINISH				

LOC	DIST	REVISIONS					
		P	LTR	DESCRIPTION	DATE	DWN	APVD
AI	-	-	-	SEE SHEET 1	-	-	-

NOTES:  
 1. MATERIAL AND FINISH:  
 - HOUSING: GF HIGH TEMP THERMOPLASTIC, COLOR: BLACK  
 - CONTACTS: COPPER ALLOY  
     FINISH: 3.8µm MIN MATTE TIN IN SOLDER AREA  
             1.27µm MIN GOLD IN INTERFACE AREA (SIGNAL CONTACTS)  
             0.76µm MIN GOLD IN INTERFACE AREA (POWER CONTACTS)  
             OVER 1.27µm NICKEL UNDERPLATE  
 - SHIELD: COPPER-ZINC ALLOY  
     FINISH: 2.03µm MATTE TIN OVER 1.27µm MIN NICKEL  
 - LED: DIFFUSED EPOXY LENS  
     CARBON STEEL WIRE LEADS  
     FINISH: 8.89µm TIN/COPPER OVER 2.03µm SILVER OVER  
             1.02µm COPPER OVER 3.56µm NICKEL

- 2. SUGGESTED PANEL OPENING DIMENSIONS.
- 3. SUGGESTED CLEARANCE BETWEEN TOP OF CONNECTOR AND TOP PANEL OPENING.
- 4. DATUM ESTABLISHED BY CUSTOMER.
- 5. PACKAGED: POCKET TAPE & REEL (PER EIA 481 SPEC)  
 POCKET TAPE WIDTH - 44mm  
 POCKET PITCH - 32mm  
 POCKET DEPTH - 18mm  
  
 CLEAR COVER TAPE, PSA  
 CLEAR COVER TAPE TRAILER - 610mm, WRAPPED ON REEL HUB  
  
 PLASTIC REEL - 381mm DIAMETER  
  
 PRODUCT QUANTITY - 150 PIECES PER REEL
- 6. MUST COMPLY WITH DIRECTIVE 2002/95/EC (RoHS)
- 7. POWER CONTACT PADS NOT REQUIRED FOR 2178126-2 PART NUMBER  
 POWER CONTACTS NOT POPULATED
- 8. PLATED THRU HOLE, FINISHED DIAMETER SHOWN
- 9. NON-PLATED HOLE, DRILL DIAMETER SHOWN  
 IF PLATED FINISHED DIAMETER TO BE AS SHOWN
- 10. MANUFACTURING DATE CODE: FIRST 2 DIGITS REPRESENT YEAR, SECOND 2 DIGITS REPRESENT WORK WEEK, LAST DIGIT IS DAY OF THE WEEK



THIS DRAWING IS A CONTROLLED DOCUMENT.		DWN Vivin 04APR2012	<b>STE</b> TE Connectivity															
		CHK Premjith 04APR2012																
DIMENSIONS: mm		TOLERANCES UNLESS OTHERWISE SPECIFIED:		NAME JACK ASSEMBLY CLOUDSPLITTER SMT														
<table border="1"> <tr><td>0 PLC</td><td>±0.3</td></tr> <tr><td>1 PLC</td><td>±0.25</td></tr> <tr><td>2 PLC</td><td>±0.13</td></tr> <tr><td>3 PLC</td><td>±</td></tr> <tr><td>4 PLC</td><td>±</td></tr> <tr><td>ANGLES</td><td>±1°</td></tr> <tr><td>FINISH</td><td></td></tr> </table>		0 PLC	±0.3	1 PLC	±0.25	2 PLC	±0.13	3 PLC	±	4 PLC	±	ANGLES	±1°	FINISH		APVD -	PRODUCT SPEC 108-64022	SIZE 114-32051
0 PLC	±0.3																	
1 PLC	±0.25																	
2 PLC	±0.13																	
3 PLC	±																	
4 PLC	±																	
ANGLES	±1°																	
FINISH																		
MATERIAL -		WEIGHT -	APPLICATION SPEC 114-32051	RESTRICTED TO -														
		Customer Drawing		SCALE 8:1 SHEET 3 OF 3 REV 12														

# Mouser Electronics

Authorized Distributor

Click to View Pricing, Inventory, Delivery & Lifecycle Information:

[TE Connectivity:](#)

[2178126-2](#)