

3M™ Pak 50 Wiremount Socket

.050" Wiremount Socket for .025" Pitch Cable

P25E Series



- P25E connector terminates 30 AWG stranded 0.635 mm (25 mil) pitch flat PVC cable (3754 series)
- Daisy chain capability
- Designed to mate with P50 series IDC boardmount connectors
- Latch/eject mechanism maintains a secure connection
- Cable strain relief standard. No strain relief optional.
- Finished cable assemblies to customer specifications available
- Tooling available for customer cable assembly termination
- RoHS Compliant. See the Regulatory Information Appendix (RIA) in the "RoHS Compliance" section of www.3Mconnector.com for compliance information (RIA E1 and C1 apply)

Date Modified: August 27, 2010

TS-1141-C
Sheet 1 of 2

Physical

Insulator:

Material: Glass Filled Nylon

Flammability: UL 94V-0

Color: Black

Contact Material: Phosphor Bronze

Plating:

Underplating: Nickel

Wiping Area: .025 μ m [10 μ "] gold

Termination Area: Gold Flash (RoHS compliant)

Wire Accommodation: 30 AWG Stranded PVC Flat Ribbon Cable (3M #3754 or approved alternate)

Mating Compatibility: TS-1144

Electrical

Current Rating: 0.5 A

Insulation Resistance: $> 1 \times 10^9 \Omega$ at 250 V_{DC}

Withstanding Voltage: 300 V_{AC} for 1 minute

Environmental

Temperature Rating: -55°C to +85°C

UL File No.: E68080

3M™ Pak 50 Wiremount Socket

.050" Wiremount Socket for .025" Pitch Cable

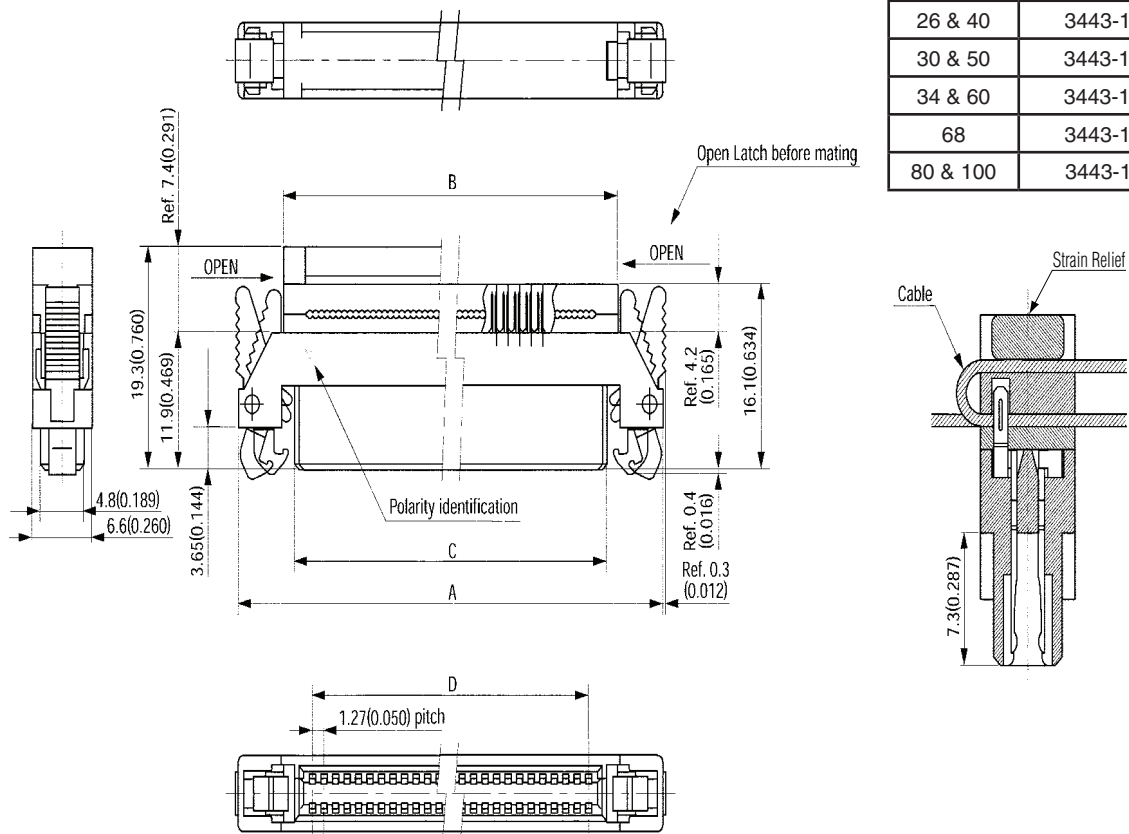
P25E Series

Product Table / Dimensions

Contact Quantity	A	B	C	D
20	27.83 [1.096]	17.83 [0.702]	15.43 [0.607]	11.43 [0.450]
26	31.64 [1.246]	21.64 [0.852]	19.24 [0.757]	15.24 [0.600]
30	34.18 [1.346]	24.18 [0.952]	21.78 [0.857]	17.78 [0.700]
32	35.45 [1.396]	25.45 [1.002]	23.05 [0.907]	19.05 [0.750]
34	36.72 [1.446]	26.72 [1.052]	24.32 [0.957]	20.32 [0.800]
40	40.53 [1.596]	30.53 [1.202]	28.13 [1.107]	24.13 [0.950]

Contact Quantity	A	B	C	D
50	46.88 [1.846]	36.88 [1.452]	34.48 [1.357]	30.48 [1.200]
60	53.23 [2.096]	43.23 [1.702]	40.83 [1.607]	36.83 [1.450]
68	58.31 [2.296]	48.31 [1.902]	45.91 [1.807]	41.91 [1.650]
80	65.93 [2.596]	55.93 [2.202]	53.53 [2.107]	49.53 [1.950]
100	78.63 [3.096]	68.63 [2.702]	66.23 [2.607]	62.23 [2.450]

Conn Size	Locator Plate PN
20 & 32	3443-127A
26 & 40	3443-127B
30 & 50	3443-127C
34 & 60	3443-127D
68	3443-127E
80 & 100	3443-127F



Note: Strain relief standard.

Ordering Information

P25E - XXXS - EA (RIA E1 and C1 apply)

Contact Quantity: _____
See Table

Application tools: Press: 3640 (or equivalent); See application tooling chart above for locator plate; Platen- 3442-126.

TS-1141-C
Sheet 2 of 2

Important Notice

All statements, technical information, and recommendations related to 3M's products are based on information believed to be reliable, but the accuracy or completeness is not guaranteed. Before using this product, you must evaluate it and determine if it is suitable for your intended application. You assume all risks and liability associated with such use. Any statements related to the product which are not contained in 3M's current publications, or any contrary statements contained on your purchase order shall have no force or effect unless expressly agreed upon, in writing, by an authorized officer of 3M.

Warranty; Limited Remedy; Limited Liability.

This product will be free from defects in material and manufacture for a period of one (1) year from the time of purchase. **3M MAKES NO OTHER WARRANTIES INCLUDING, BUT NOT LIMITED TO, ANY IMPLIED WARRANTY OF MERCHANTABILITY OR FITNESS FOR A PARTICULAR PURPOSE.** If this product is defective within the warranty period stated above, your exclusive remedy shall be, at 3M's option, to replace or repair the 3M product or refund the purchase price of the 3M product. **Except where prohibited by law, 3M will not be liable for any indirect, special, incidental or consequential loss or damage arising from this 3M product, regardless of the legal theory asserted.**

**3M Electronics Solutions Division**

6801 River Place Blvd.
Austin, TX 78726-9000
U.S.A.
1-800-225-5373
www.3Mconnector.com

Please recycle. Printed in USA.
© 3M 2010. All rights reserved.
RIA-2217B-E

3M is a trademark of 3M Company.

Mouser Electronics

Authorized Distributor

Click to View Pricing, Inventory, Delivery & Lifecycle Information:

[3M:](#)

[P25E-068S-TG](#) [P25E-020S-TG](#) [P25E-040S-TG](#) [P25E-050S-TG](#) [P25E-080S-TG](#) [P25E-100S-TG](#) [P25E-030S-TG](#)
[P25E-050S-EA](#) [P25E-068S-EA](#) [P25E-020S-EA](#) [P25E-080S-EA](#) [P25E-100S-EA](#) [P25E-030S-EA](#) [P25E-040S-EA](#)
[P25E-026S-EA](#) [P25E-034S-EA](#) [P25E-060S-EA](#)