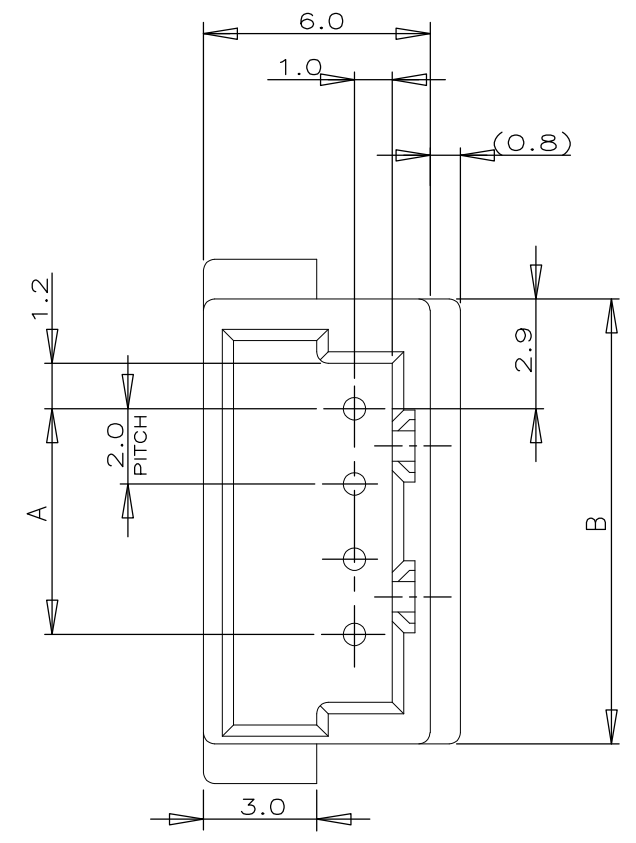
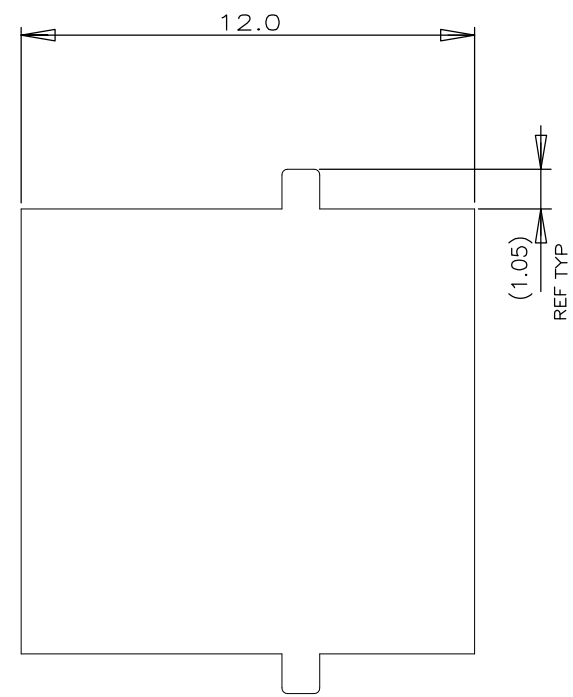
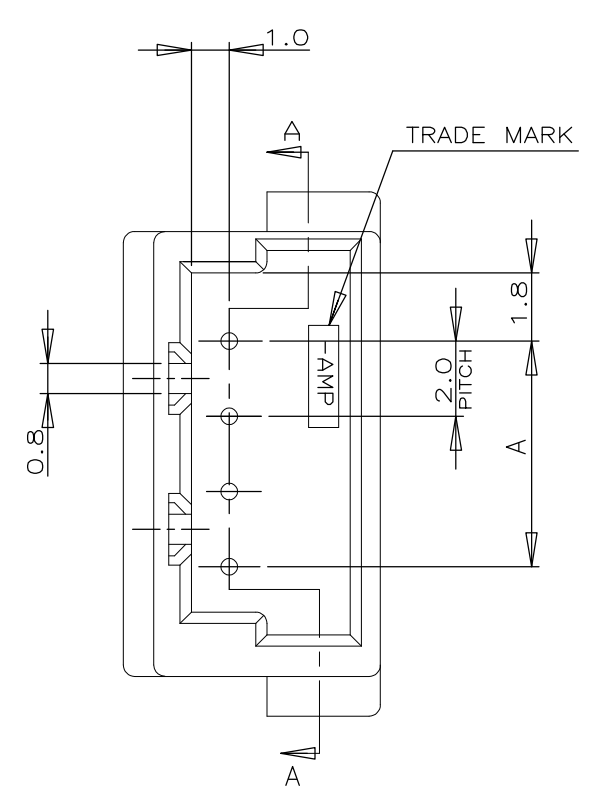
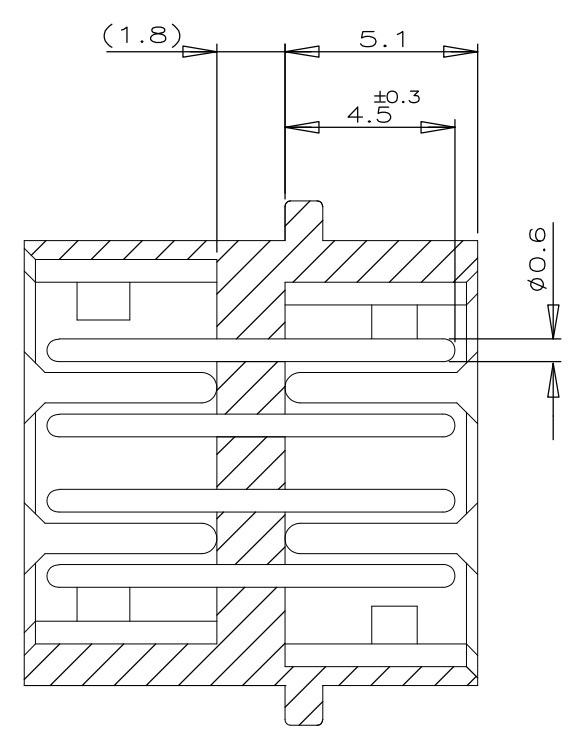
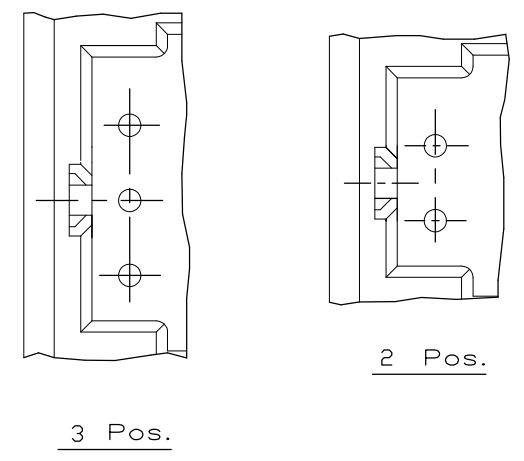


THIS DRAWING IS UNPUBLISHED. RELEASED FOR PUBLICATION  
 © COPYRIGHT - By - ALL RIGHTS RESERVED.

| LOC | DIST | REVISIONS |     |                           |         |     |      |
|-----|------|-----------|-----|---------------------------|---------|-----|------|
| FB  | 00   | P         | LTR | DESCRIPTION               | DATE    | DWN | APVD |
|     |      | P         |     | REVISED PER ECO-11-005033 | 28MAR11 | RK  | HMR  |



NOTES;  
 ▲ MATERIAL: HOUSING - 66 NYLON (UL94V-0)  
 POST - TIN BRASS



|            |            |            |          |      |      |      |
|------------|------------|------------|----------|------|------|------|
| 6-▲-6      | 4-▲-6      | 2-▲-6      | ▲-6      | 6    | 15.8 | 10.0 |
| 6-▲-5      | 4-▲-5      | 2-▲-5      | ▲-5      | 5    | 13.8 | 8.0  |
| 6-▲-4      | 4-▲-4      | 2-▲-4      | ▲-4      | 4    | 11.8 | 6.0  |
| 6-▲-3      | 4-▲-3      | 2-▲-3      | ▲-3      | 3    | 9.8  | 4.0  |
| 6-292156-2 | 4-292156-2 | 2-292156-2 | 292156-2 | 2    | 7.8  | 2.0  |
| BLACK      | YELLOW     | BLUE       | NATURAL  | Pos. | B    | A    |

SECT. A-A

TOLERANCES UNLESS OTHERWISE SPECIFIED:  
 10>\* : ±0.2  
 30>\* >10 : ±0.25  
 100>\* >30 : ±0.3  
 ANGEL : ±3°

THIS DRAWING IS A CONTROLLED DOCUMENT.

|                |   |                       |  |
|----------------|---|-----------------------|--|
| DIMENSIONS: mm | TOLERANCES UNLESS OTHERWISE SPECIFIED:  | DWN S.XU 31JAN03      | TE Connectivity  |
|                | 0 PLC ± -<br>1 PLC ± -<br>2 PLC ± -<br>3 PLC ± -<br>4 PLC ± -<br>ANGLES ± -<br>FINISH | CHK S.YAO 31JAN03     |  |
|                |   | APVD T.SASAKI 31JAN03 |  |
| MATERIAL ▲     | FINISH ▲  | NAME T.SASAKI         |  |
|                |   | PRODUCT SPEC          | FREE HANGING TYPE RELAY POST HEADER ASS'Y (AMP CT CONN. 2mm PITCH) |
|                |   | APPLICATION SPEC      |  |
|                |   | WEIGHT -              | SIZE A3 CAGE CODE 00779 DRAWING NO C-292156 RESTRICTED TO -        |
|                |   | CUSTOMER DRAWING      | SCALE 5:1 SHEET 1 OF 1 REV P                                       |

# Mouser Electronics

Authorized Distributor

Click to View Pricing, Inventory, Delivery & Lifecycle Information:

[TE Connectivity:](#)

[6-292156-4](#)