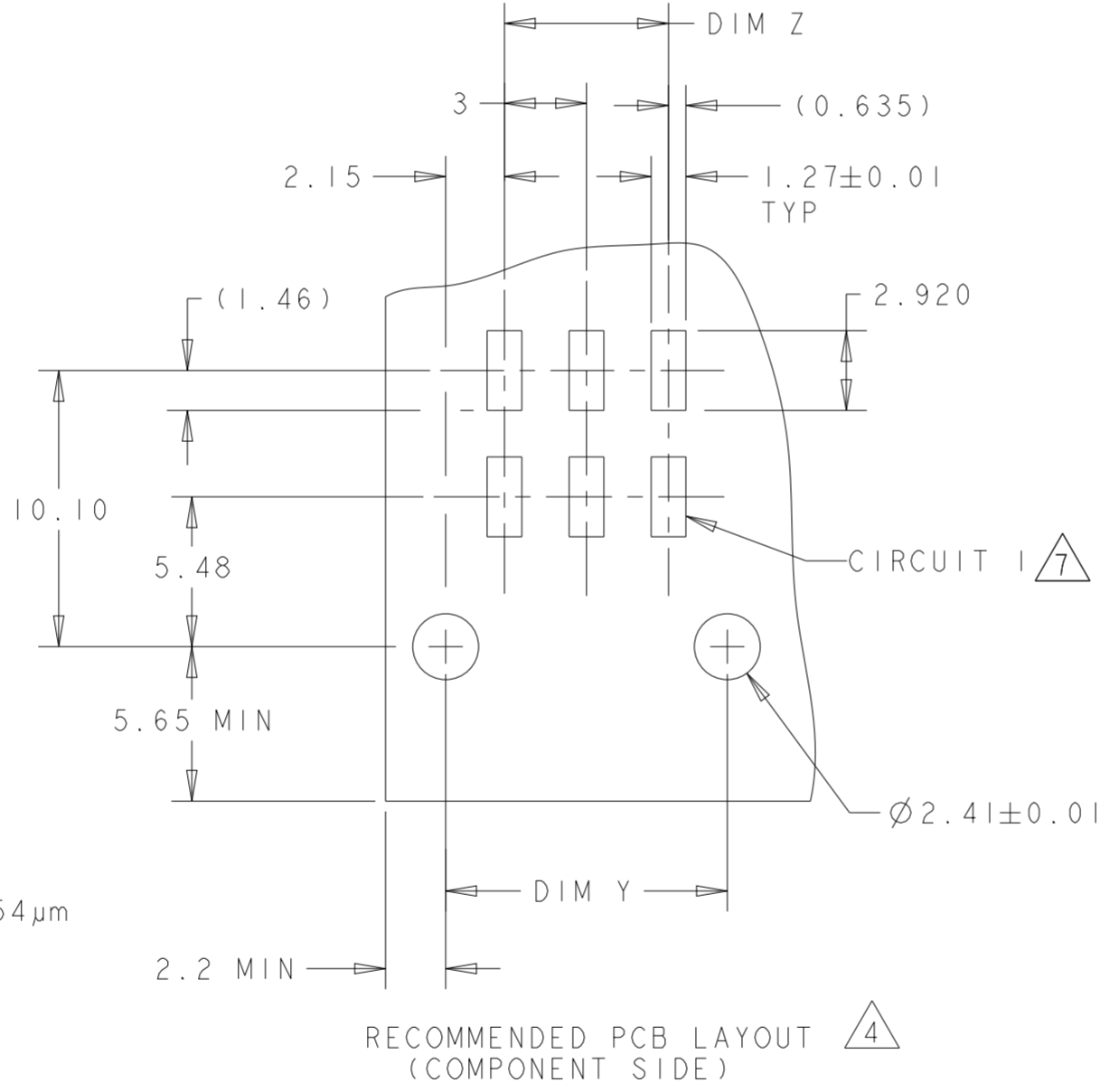
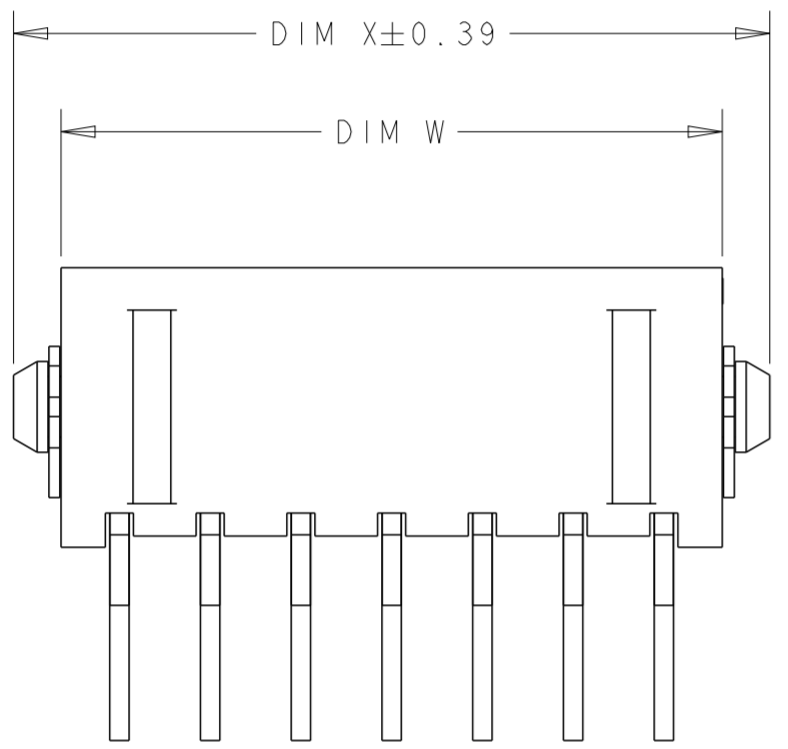
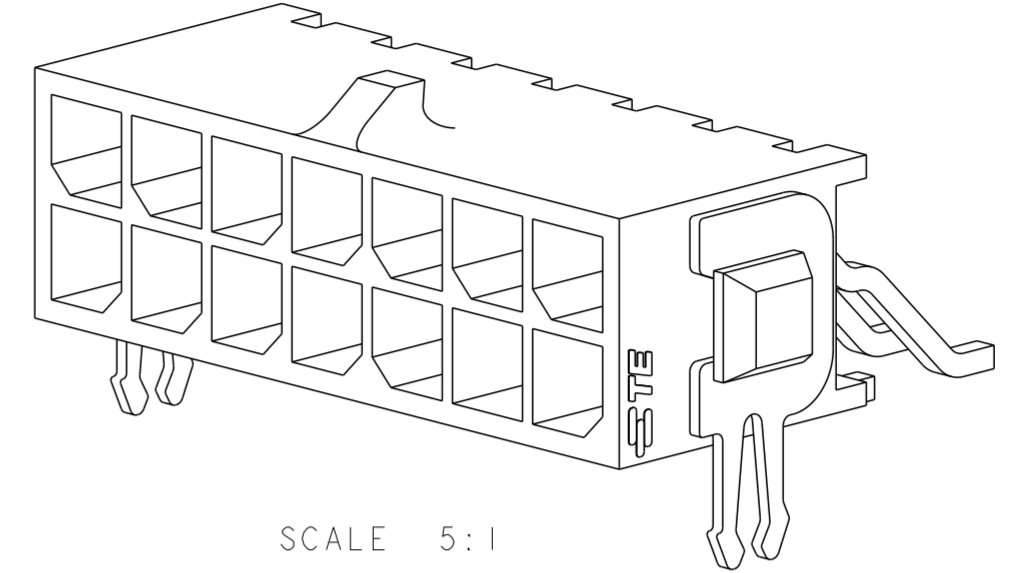
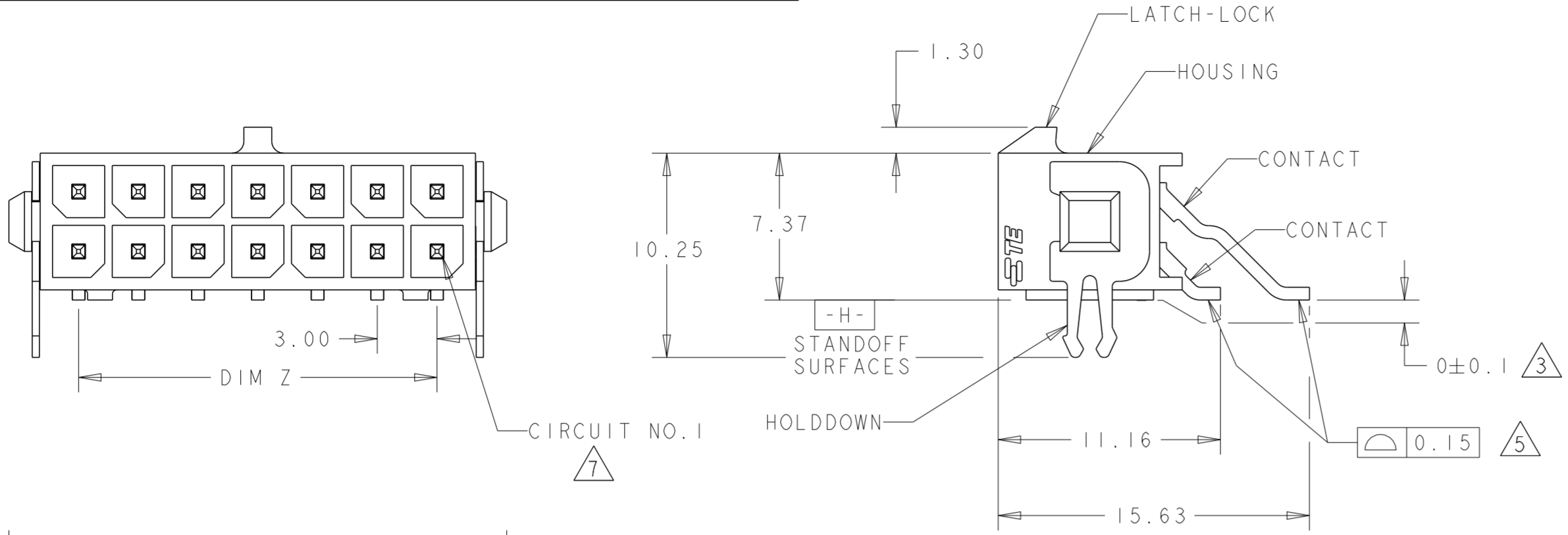


THIS DRAWING IS UNPUBLISHED. RELEASED FOR PUBLICATION 20
 © COPYRIGHT 20 BY - ALL RIGHTS RESERVED.

LOC	DIST	REVISIONS			
P	LTR	DESCRIPTION	DATE	DWN	APVD
CM	00				
	G1	REVISED PER ECR-16-011506	27JUN2017	NK	CX



△6	36.86	37.30	33.00	40.00	24	5-794626-4
△6	33.86	34.30	30.00	37.00	22	5-794626-2
△6	30.86	31.30	27.00	34.00	20	5-794626-0
△6	27.86	28.30	24.00	31.00	18	4-794626-8
△6	24.86	25.30	21.00	28.00	16	4-794626-6
△6	21.86	22.30	18.00	25.00	14	4-794626-4
△6	18.86	19.30	15.00	22.00	12	4-794626-2
△6	15.86	16.30	12.00	19.00	10	4-794626-0
△6	12.86	13.30	9.00	16.00	8	3-794626-8
△6	9.86	10.30	6.00	13.00	6	3-794626-6
△6	6.86	7.30	3.00	10.00	4	3-794626-4
△6	3.86	4.30	-	7.00	2	3-794626-2

SUPERSEDED BY 5-794626-4	△2	36.86	37.30	33.00	40.00	24	2-794626-4
SUPERSEDED BY 5-794626-2	△2	33.86	34.30	30.00	37.00	22	2-794626-2
SUPERSEDED BY 5-794626-0	△2	30.86	31.30	27.00	34.00	20	2-794626-0
SUPERSEDED BY 4-794626-8	△2	27.86	28.30	24.00	31.00	18	+794626-8
SUPERSEDED BY 4-794626-6	△2	24.86	25.30	21.00	28.00	16	+794626-6
SUPERSEDED BY 4-794626-4	△2	21.86	22.30	18.00	25.00	14	+794626-4
SUPERSEDED BY 4-794626-2	△2	18.86	19.30	15.00	22.00	12	+794626-2
SUPERSEDED BY 4-794626-0	△2	15.86	16.30	12.00	19.00	10	+794626-0
SUPERSEDED BY 3-794626-8	△2	12.86	13.30	9.00	16.00	8	794626-8
SUPERSEDED BY 3-794626-6	△2	9.86	10.30	6.00	13.00	6	794626-6
SUPERSEDED BY 3-794626-4	△2	6.86	7.30	3.00	10.00	4	794626-4
SUPERSEDED BY 3-794626-2	△2	3.86	4.30	-	7.00	2	794626-2

- △1 MATERIAL;
CONTACTS - BRASS.
HOUSING - UL 94V-0 RATED HIGH TEMP NYLON,
COLOR; BLACK.
HOLDDOWNS - PHOSPHOR BRONZE.
- △2 PLATING;
CONTACTS - 0.76µm MINIMUM GOLD OVER 2.54µm
MINIMUM NICKEL ON MATING AREA.
2.54µm TIN-LEAD MINIMUM OVER 2.54µm
NICKEL MINIMUM ON SOLDER TAILS.
HOLDDOWNS - 2.54µm TIN LEAD.
- △3 DIMENSION APPLIES TO SOLDER TAIL SURFACES
AND STANDOFF SURFACES.
- △4 RECOMMENDED PC BOARD THICKNESS OF 1.57.
- △5 ALL SOLDER TAILS.
- △6 PLATING;
CONTACTS - 0.76µm MINIMUM GOLD OVER 2.54µm
MINIMUM NICKEL ON MATING AREA.
2.54µm MATTE TIN MINIMUM OVER 2.54µm
NICKEL MINIMUM ON SOLDER TAILS.
HOLDDOWNS - 2.54µm MATTE TIN.
- △7 CIRCUIT NUMBER 1 IS LOCATED AT THE BOTTOM RIGHT
WITH THE LATCH-LOCK ON TOP LOOKING INTO THE CAVITIES

FINISH	DIM W	DIM Y	DIM Z	DIM X	NO. OF POSN.	PART NUMBER
△1	SEE TABLE					

THIS DRAWING IS A CONTROLLED DOCUMENT.		DWN K. WHITAKER 19MAR2003	 TE Connectivity	NAME SURFACE MOUNT, RIGHT ANGLE, MECHANICAL HOLDDOWN, ASSEMBLY, 30 GOLD HEADER, DUAL ROW, MICRO MATE-N-LOK™		
DIMENSIONS: mm		CHK C. JONES 19MAR2003		PRODUCT SPEC		
TOLERANCES UNLESS OTHERWISE SPECIFIED: 0 PLC ± 1 PLC ± 2 PLC ±0.13 3 PLC ± 4 PLC ± ANGLES ± FINISH		APVD C. JONES 19MAR2003		APPLICATION SPEC		
MATERIAL		WEIGHT	SIZE A2p0779	CAGE CODE C-794626	DRAWING NO. G-794626	RESTRICTED TO
CUSTOMER DRAWING			SCALE 4:1	SHEET 1 OF 1	REV G1	

Mouser Electronics

Authorized Distributor

Click to View Pricing, Inventory, Delivery & Lifecycle Information:

[TE Connectivity:](#)

[4-794626-8](#)