

DRAWING MADE IN THIRD ANGLE PROJECTION

3

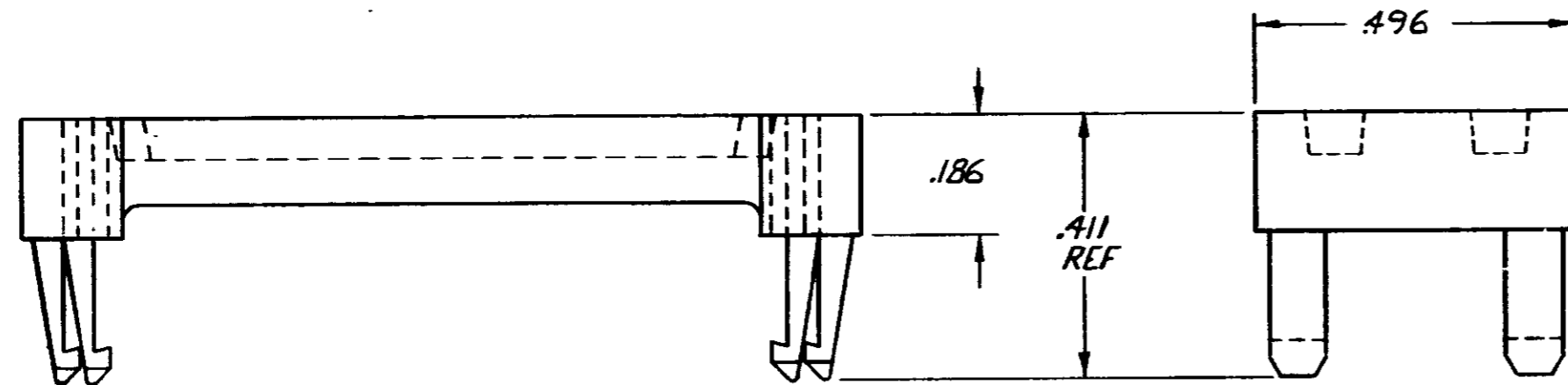
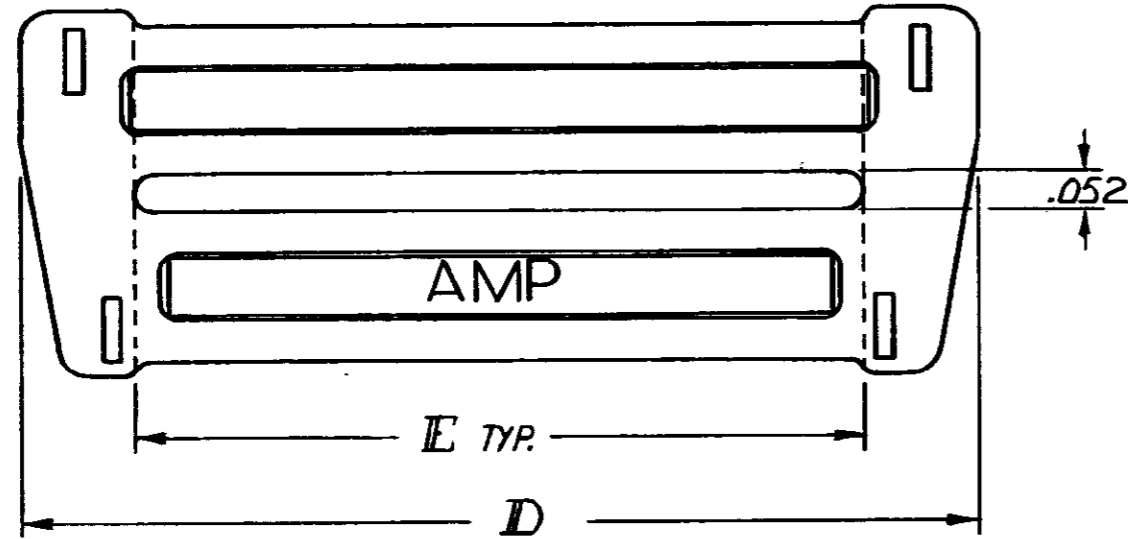
2

1

MOD	LOC	DIST
3	BD	16

THIS DRAWING IS UNPUBLISHED. RELEASED FOR PUBLICATION
 © COPYRIGHT

REVISIONS						
P	F	ZONE	LTR	DESCRIPTION	DATE	APPROVED
			B1	REVISED PER ECO-11-005294	06APR11	HMR



OBSOLETE	.980	1.287	19	747275-5
	1.880	2.275	37	-1
	1.280	1.623	25	-2
	.780	1.087	15	-3
	.480	.759	9	747275-4
	E	D	NO. OF POS.	PART NO

UNLESS OTHERWISE SPECIFIED DIMENSIONS ARE IN INCHES. TOLERANCES ON: DECIMALS ± .005 ANGLES ±	CONTRACT NO	TE Connectivity		
	DR <i>J. S. Wilko</i> 8/25/83			NAME
	MATERIAL FLAME RETARDANT THERMOPLASTIC; COLOR: BLACK 94V-0 RATED	CHK'D <i>J. S. Wilko</i> 8-25-83	STRAIN RELIEF, LOW PROFILE HDF	
	FINISH	APPROV'D <i>J. S. Wilko</i> 8-25-83		
	DSGN APP'D	SIZE C	FSCM NO 00779	DRAWING NO 747275
	OTHER APP'D	SCALE	SHEET	

747275

CUSTOMER DRAWING

Mouser Electronics

Authorized Distributor

Click to View Pricing, Inventory, Delivery & Lifecycle Information:

[TE Connectivity:](#)

[747275-3](#)