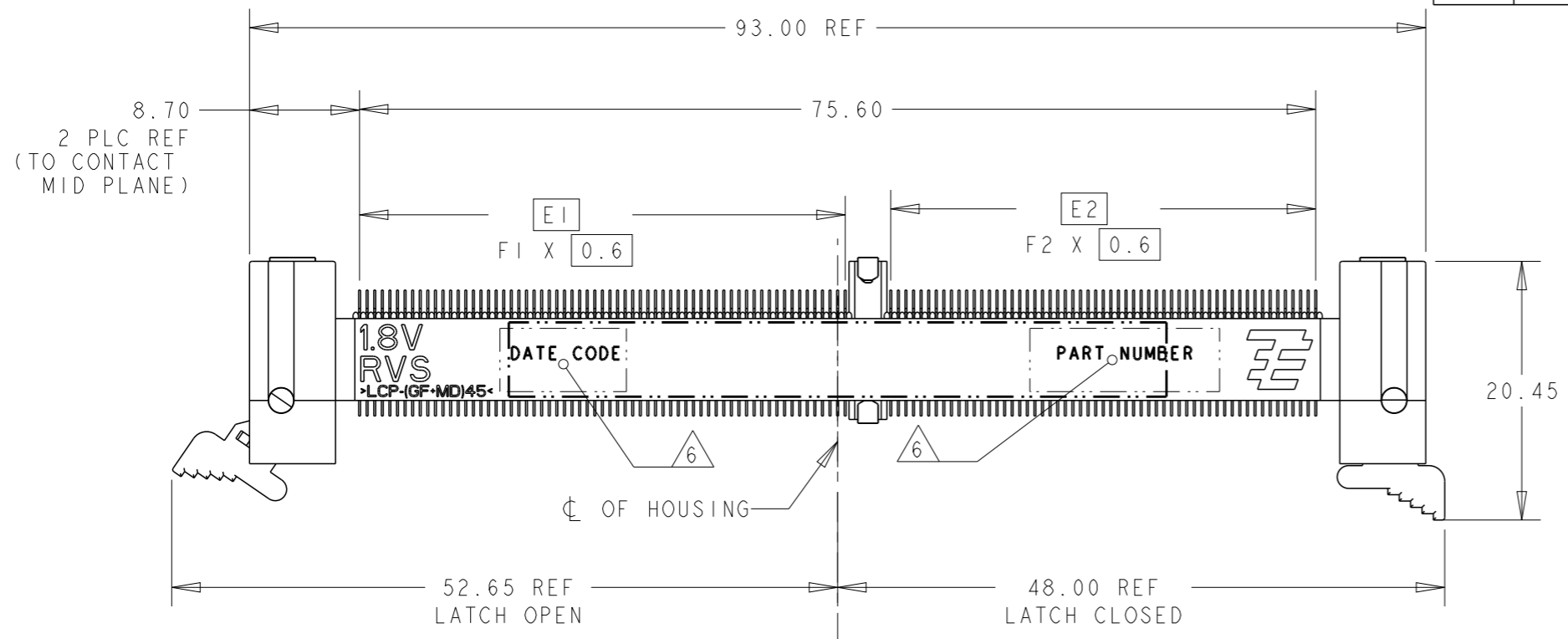


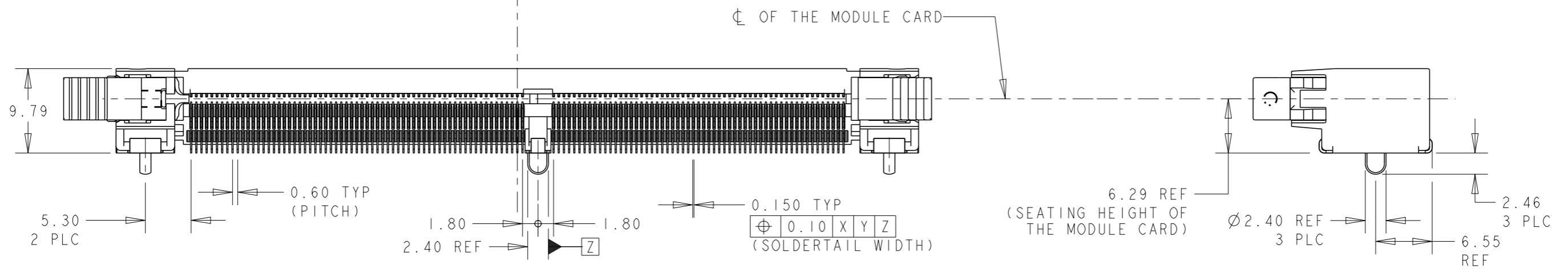
THIS DRAWING IS UNPUBLISHED. RELEASED FOR PUBLICATION .19 .
 © COPYRIGHT 19 BY AMP INCORPORATED. ALL RIGHTS RESERVED.

LOC
DY
DIST
-

REVISIONS					
P	LTR	DESCRIPTION	DATE	DWN	APVD
	B5	REVISED PER ECR-11-022142	01NOV2011	SYJ	LSF



- 1 MATERIAL: HOUSING: HIGH TEMP LCP, BLACK, UL94V-0
LATCHES: HIGH TEMP LCP, NATURAL, UL94V-0
CONTACTS: COPPER ALLOY
SOLDERPEGS: COPPER ALLOY
- 2 FINISH: ENGAGEMENT AREAS: 0.76µm MIN GOLD OVER
1.25µm MIN NICKEL
SOLDERTAILS: 0.02µm MIN GOLD OVER
1.25µm MIN NICKEL
- 3 FINISH: ENGAGEMENT AREAS: 0.38µm MIN GOLD OVER
1.25µm MIN NICKEL
SOLDERTAILS: 0.02µm MIN GOLD OVER
1.25µm MIN NICKEL
- 4 ACCEPTS 1.0mm THICK MEMORY MODULE, PER JEDEC MO-244,
WITH BEVELS (FOR INSERTION LEAD-IN) REQUIRED.
- 5 PRODUCT SHALL BE PACKED IN JEDEC HARD TRAY (BLACK).
- 6 PART NUMBER AND DATE CODE SHALL BE MARKED LEGIBLY
AS SHOWN. DATE CODE FORMAT: YYWWD.



64	56	38.4	33.6	45.5	40.7	DDR3 (AB/BB/CB) ; STD	1.5V	3	1- -4
64	56	38.4	33.6	45.5	40.7	DDR2 (AA/BA/CA) ; STD	1.8V	3	1- -3
56	64	33.6	38.4	40.7	45.5	DDR3 (AB/BB/CB) ; RVS	1.5V	3	1- -2
56	64	33.6	38.4	40.7	45.5	DDR2 (AA/BA/CA) ; RVS	1.8V	3	1- -1
64	56	38.4	33.6	45.5	40.7	DDR3 (AB/BB/CB) ; STD	1.5V	2	-4
64	56	38.4	33.6	45.5	40.7	DDR2 (AA/BA/CA) ; STD	1.8V	2	-3
56	64	33.6	38.4	40.7	45.5	DDR3 (AB/BB/CB) ; RVS	1.5V	2	-2
56	64	33.6	38.4	40.7	45.5	DDR2 (AA/BA/CA) ; RVS	1.8V	2	-1
F2	F1	E2	E1	B2	B1	VARIATION ; ORIENTATION MODULE	VOLTAGE MARKING	CONTACT FINISH	P/N

THIS DRAWING IS A CONTROLLED DOCUMENT FOR AMP INCORPORATED. IT IS SUBJECT TO CHANGE AND THE CONTROLLING ENGINEERING ORGANIZATION SHOULD BE CONTACTED FOR THE LATEST REVISION.

DIMENSIONS: mm	TOLERANCES UNLESS OTHERWISE SPECIFIED: 0 PLC ± 1 PLC ±0.25 2 PLC ±0.13 3 PLC ±0.10 4 PLC ± ANGLES ±1°	DWN WYLEE 18MAY2007	 TE CONNECTIVITY Singapore
MATERIAL	FINISH SEE P/N TABLE	CHK YJ SEE	
		APVD SF LEONG	
		PRODUCT SPEC 108-51091	
		APPLICATION SPEC 114-51011	NAME ASSEMBLY, MINIDIMM, R/A, LF 0.60mm PITCH, 244 CKTS, DDR2/3
		WEIGHT -	SIZE A3
		CUSTOMER DRAWING	CAGE CODE 00779
			DRAWING NO C=1735438
			SCALE 1:1
			SHEET 1 OF 5
			REV B5

P/N -1 AS SHOWN

THIS DRAWING IS UNPUBLISHED.

RELEASED FOR PUBLICATION

.19

© COPYRIGHT 19

BY AMP INCORPORATED.

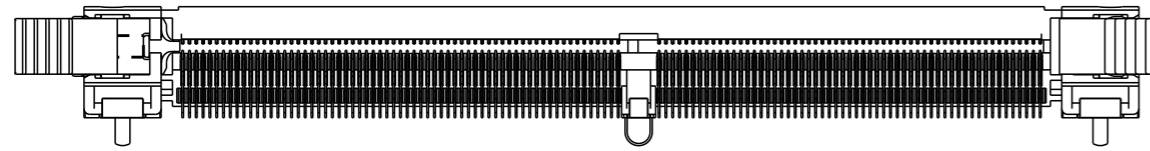
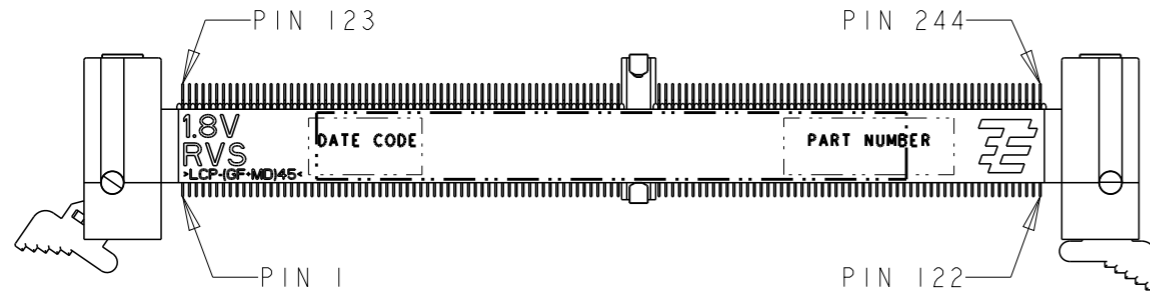
ALL RIGHTS RESERVED.

LOC
DY

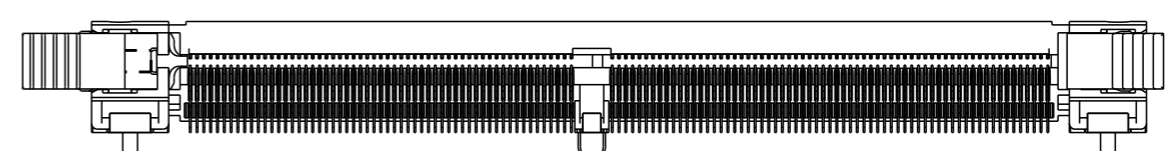
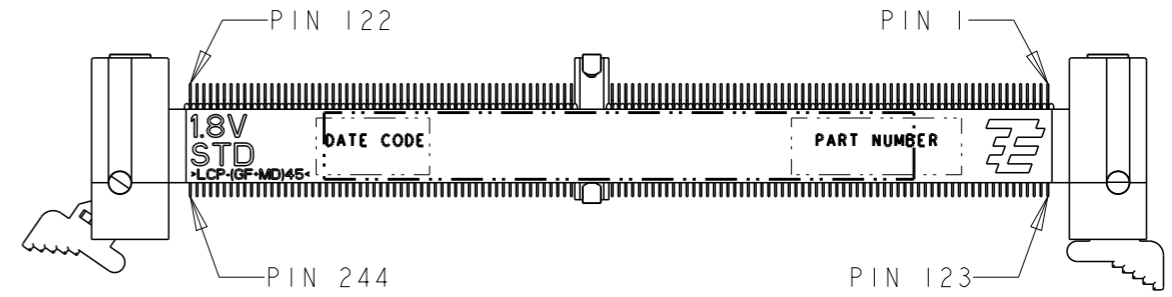
DIST
-

REVISIONS

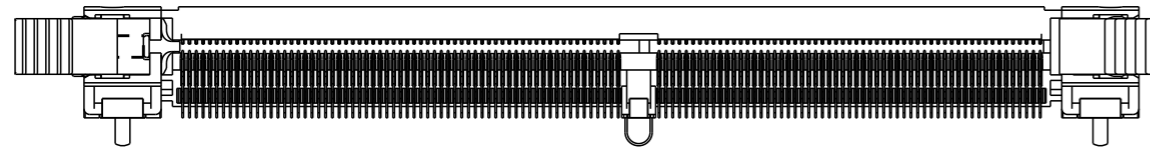
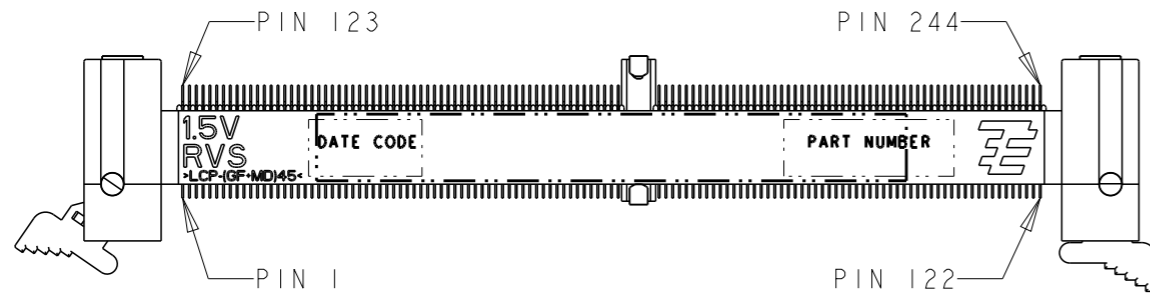
P	LTR	DESCRIPTION	DATE	DWN	APVD
-	-	SEE SHEET 1	-	-	-



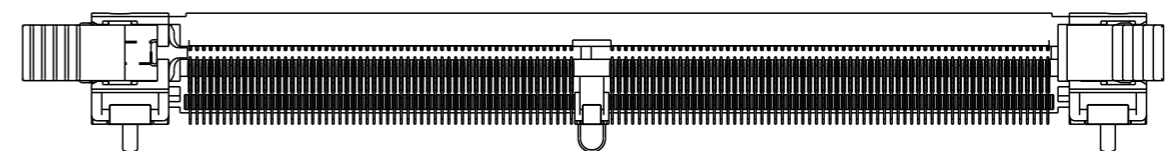
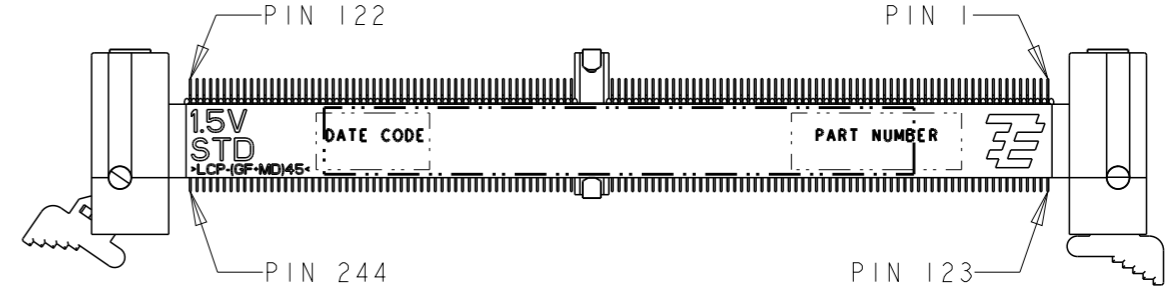
P/N X- -1
(1.8V RVS)
SCALE 3:2



P/N X- -3
(1.8V STD)
SCALE 3:2

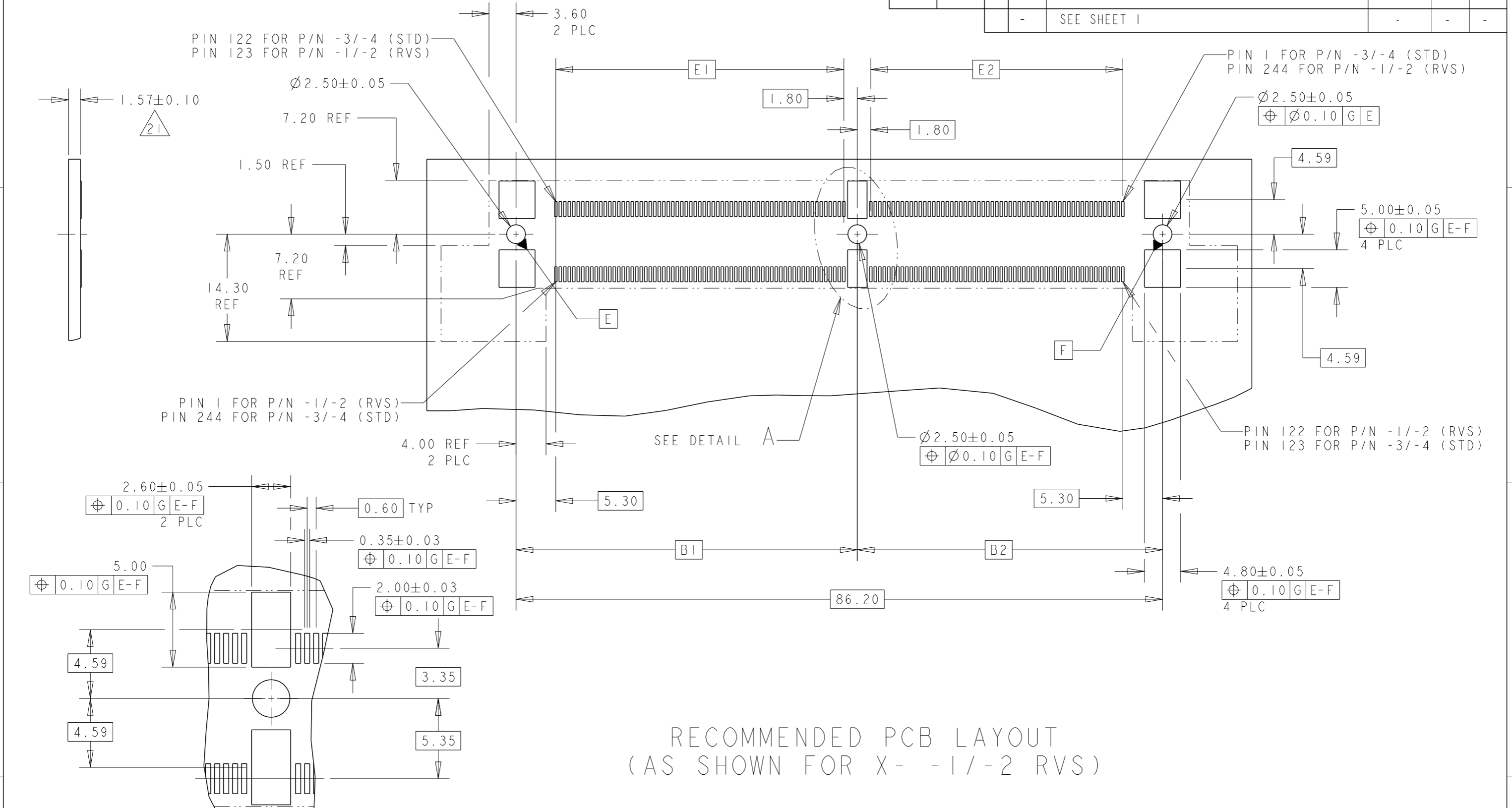


P/N X- -2
(1.5V RVS)
SCALE 3:2



P/N X- -4
(1.5V STD)
SCALE 3:2

THIS DRAWING IS A CONTROLLED DOCUMENT FOR AMP INCORPORATED. IT IS SUBJECT TO CHANGE AND THE CONTROLLING ENGINEERING ORGANIZATION SHOULD BE CONTACTED FOR THE LATEST REVISION.		DWN 18MAY2007 WYLEE CHK YJ SEE APVD SF LEONG PRODUCT SPEC 108-51091 APPLICATION SPEC 114-51011 WEIGHT - CUSTOMER DRAWING	STE TE CONNECTIVITY Singapore NAME ASSEMBLY, MINIDIMM, R/A, LF 0.60mm PITCH, 244 CKTS, DDR2/3 SIZE A3 CAGE CODE 00779 DRAWING NO ©-1735438 SCALE 3:2 SHEET 2 OF 5 REV B5
DIMENSIONS: mm 	TOLERANCES UNLESS OTHERWISE SPECIFIED: 0 PLC ± 1 PLC ±0.25 2 PLC ±0.13 3 PLC ±0.10 4 PLC ± ANGLES ±1°	MATERIAL 	FINISH SEE P/N TABLE



RECOMMENDED PCB LAYOUT
(AS SHOWN FOR X- -1/-2 RVS)

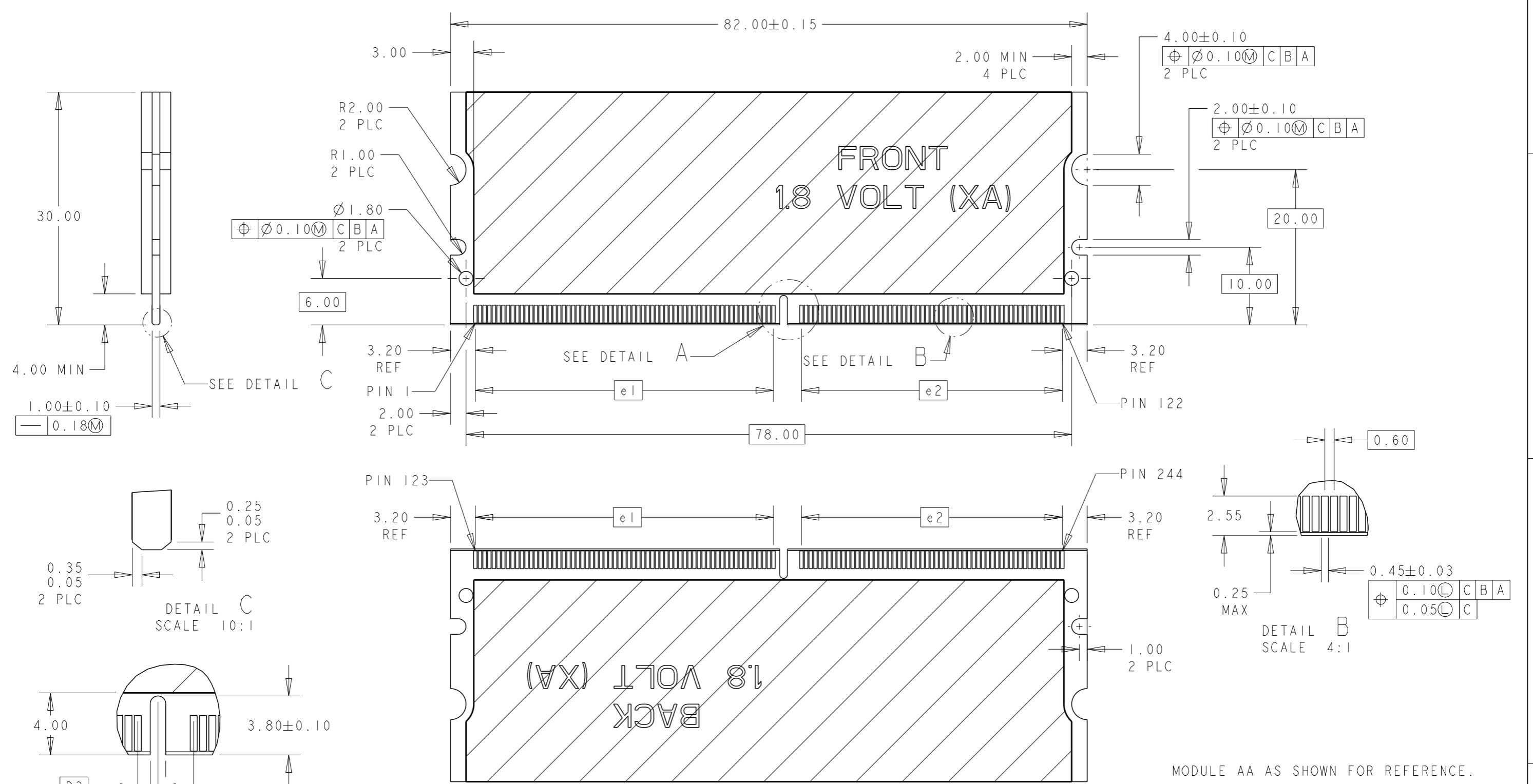
DETAIL A
SCALE 4:1

NOTES:
 PCB THICKNESS IS NOT PART OF THE RECOMMENDED DIMENSIONS FOR THIS PRODUCT. THE DESIGN OF THIS CONNECTOR IS NOT DEPENDENT ON THE PCB THICKNESS.

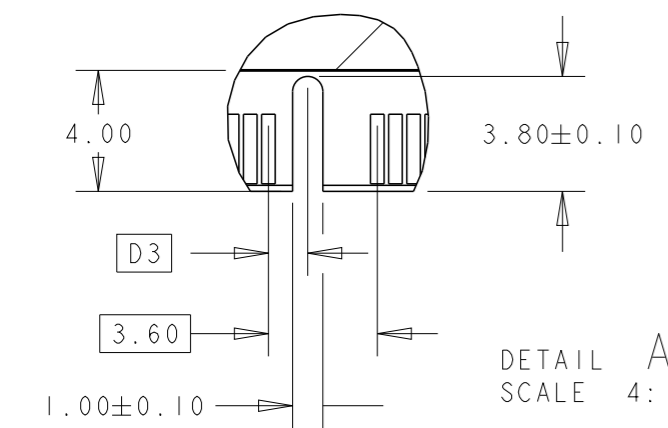
THIS DRAWING IS A CONTROLLED DOCUMENT FOR AMP INCORPORATED. IT IS SUBJECT TO CHANGE AND THE CONTROLLING ENGINEERING ORGANIZATION SHOULD BE CONTACTED FOR THE LATEST REVISION.		DWN WYLEE 18MAY2007	STE TE CONNECTIVITY Singapore	
DIMENSIONS: mm		CHK YJ SEE	NAME ASSEMBLY, MINIDIMM, R/A, LF 0.60mm PITCH, 244 CKTS, DDR2/3	
TOLERANCES UNLESS OTHERWISE SPECIFIED: 0 PLC ±.25 1 PLC ±0.25 2 PLC ±0.13 3 PLC ±0.10 4 PLC ±.10 ANGLES ±1°		APVD SF LEONG	DRAWING NO C-1735438	
MATERIAL		PRODUCT SPEC 108-51091	SIZE A3	CAGE CODE 00779
FINISH		APPLICATION SPEC 114-51011	DRAWING NO C-1735438	
		WEIGHT -	SCALE 2:1	
		CUSTOMER DRAWING	SHEET 3 OF 5 REV B5	

THIS DRAWING IS UNPUBLISHED. RELEASED FOR PUBLICATION .19 .
 BY AMP INCORPORATED. ALL RIGHTS RESERVED.

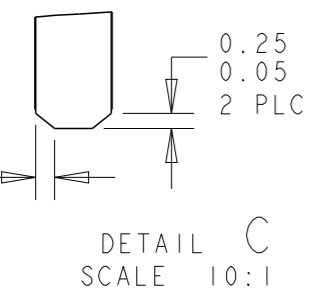
LOC DY	DIST -	REVISIONS		
P	LTR	DESCRIPTION	DATE	DWN
-	-	SEE SHEET 1	-	-



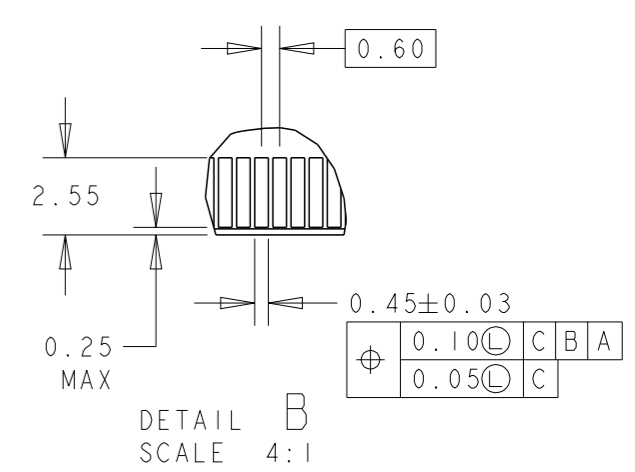
MODULE AA AS SHOWN FOR REFERENCE.



DETAIL A
SCALE 4:1



DETAIL C
SCALE 10:1



DETAIL B
SCALE 4:1

FOR P/N X- -2 AND X- -4.	2.3	33.6	38.4	1.5V	AB/BB/CB
FOR P/N X- -1 AND X- -3.	1.3	33.6	38.4	1.8V	AA/BA/CA
REMARKS	D3	e2	e1	VOLTAGE MARKING	MODULE VARIATION

THIS DRAWING IS A CONTROLLED DOCUMENT FOR AMP INCORPORATED. IT IS SUBJECT TO CHANGE AND THE CONTROLLING ENGINEERING ORGANIZATION SHOULD BE CONTACTED FOR THE LATEST REVISION.		DWN WYLEE 18MAY2007	STE TE CONNECTIVITY Singapore
DIMENSIONS: mm		CHK YJ SEE	
TOLERANCES UNLESS OTHERWISE SPECIFIED: 0 PLC ±.25 1 PLC ±0.25 2 PLC ±0.13 3 PLC ±0.10 4 PLC ±. ANGLES ±1°		APVD SF LEONG	NAME ASSEMBLY, MINIDIMM, R/A, LF 0.60mm PITCH, 244 CKTS, DDR2/3
MATERIAL		PRODUCT SPEC 108-51091	
FINISH		APPLICATION SPEC 114-51011	SIZE A3
		WEIGHT -	CAGE CODE 00779
		CUSTOMER DRAWING	DRAWING NO C-1735438
			SCALE 1:1
			SHEET 4 OF 5
			REV B5

THIS DRAWING IS UNPUBLISHED.

RELEASED FOR PUBLICATION

.19

© COPYRIGHT 19

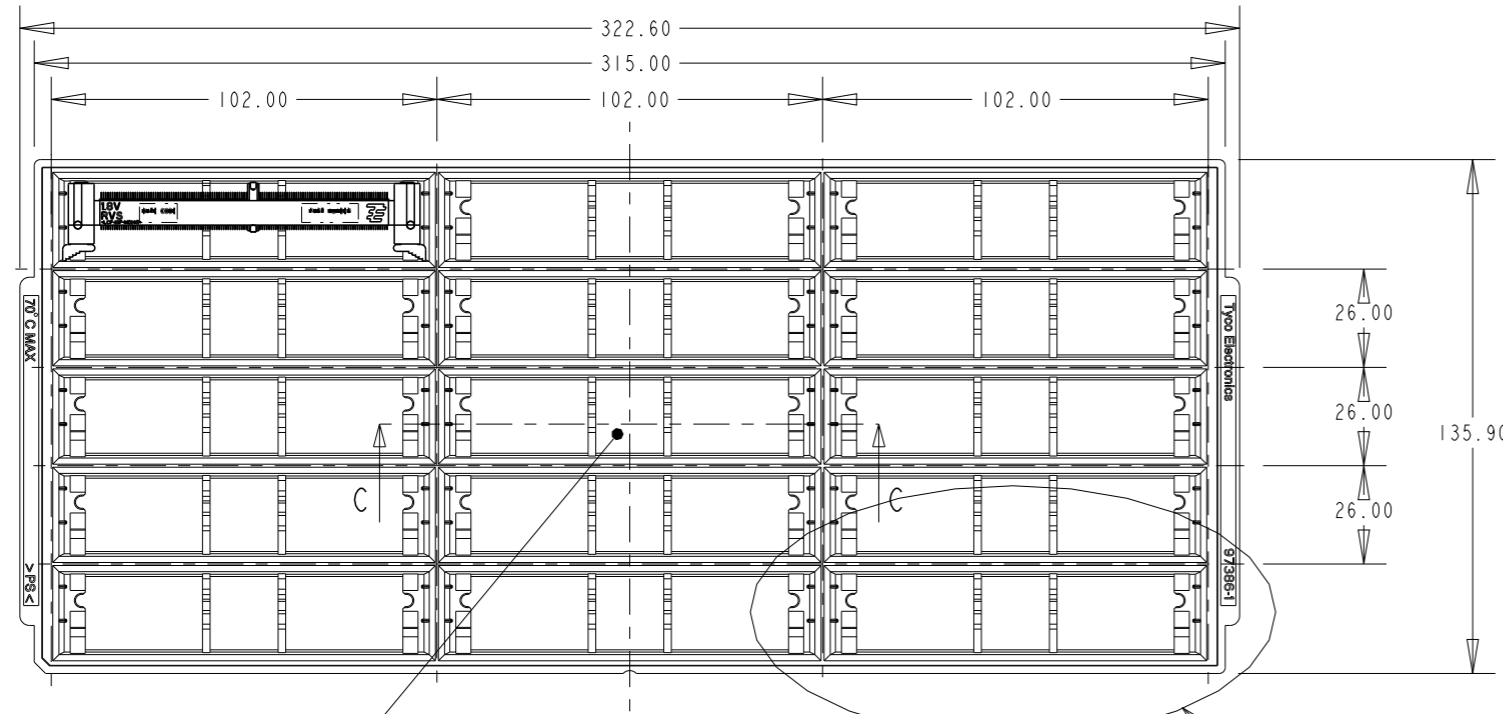
BY AMP INCORPORATED. ALL RIGHTS RESERVED.

LOC
DY

DIST
-

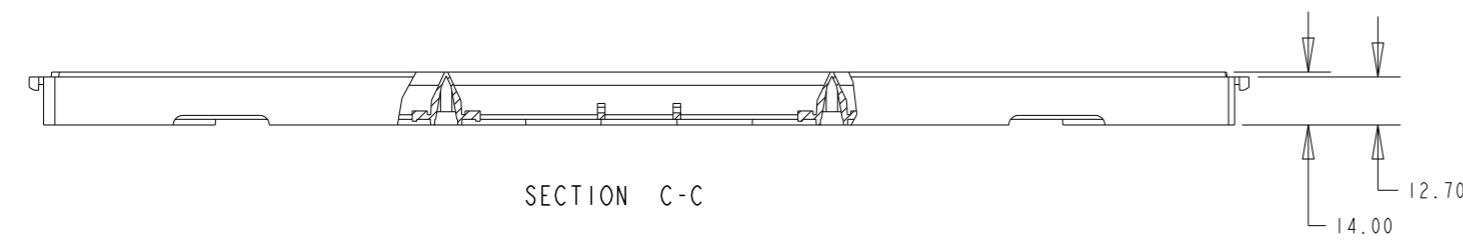
REVISIONS

P	LTR	DESCRIPTION	DATE	DWN	APVD
-	-	SEE SHEET 1	-	-	-

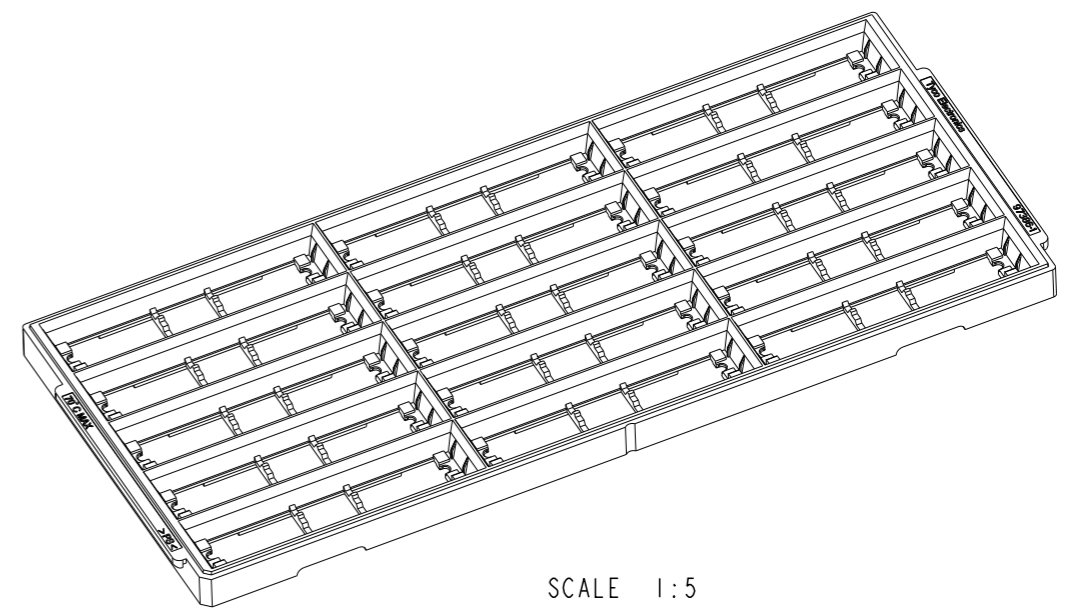


Base of centre pocket is solid.

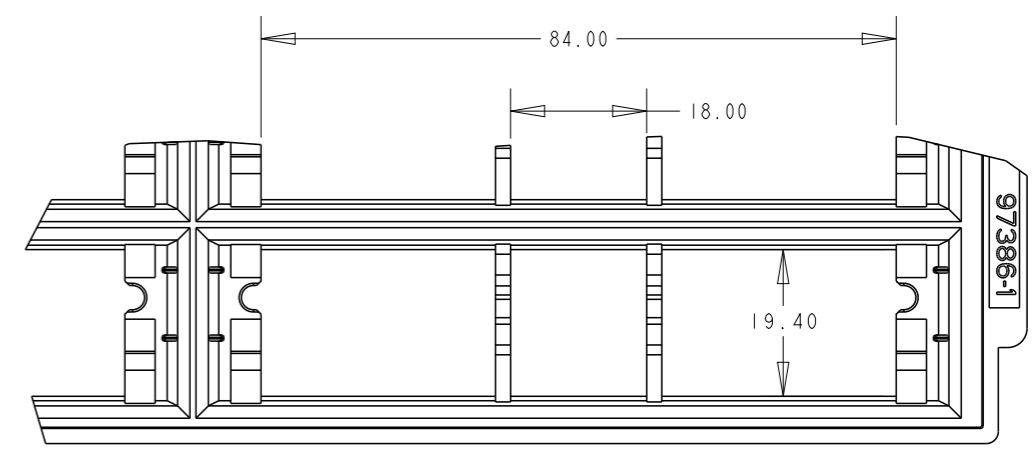
SEE DETAIL A



SECTION C-C



SCALE 1:5



DETAIL A
SCALE 2:1

THIS DRAWING IS A CONTROLLED DOCUMENT FOR AMP INCORPORATED. IT IS SUBJECT TO CHANGE AND THE CONTROLLING ENGINEERING ORGANIZATION SHOULD BE CONTACTED FOR THE LATEST REVISION.		DWN WYLEE 18MAY2007	STE TE CONNECTIVITY Singapore		
DIMENSIONS: mm	TOLERANCES UNLESS OTHERWISE SPECIFIED: 0 PLC ± 1 PLC ±0.25 2 PLC ±0.13 3 PLC ±0.10 4 PLC ± ANGLES ±1°	CHK YJ SEE	NAME ASSEMBLY, MINIDIMM, R/A, LF 0.60mm PITCH, 244 CKTS, DDR2/3		
MATERIAL	FINISH	APVD SF LEONG	PRODUCT SPEC 108-51091	SIZE A3	CAGE CODE 00779
		APPLICATION SPEC 114-51011	WEIGHT -	DRAWING NO C-1735438	
CUSTOMER DRAWING			SCALE 1:1	SHEET 5 OF 5	REV B5

Mouser Electronics

Authorized Distributor

Click to View Pricing, Inventory, Delivery & Lifecycle Information:

[TE Connectivity:](#)

[1-1735438-1](#)